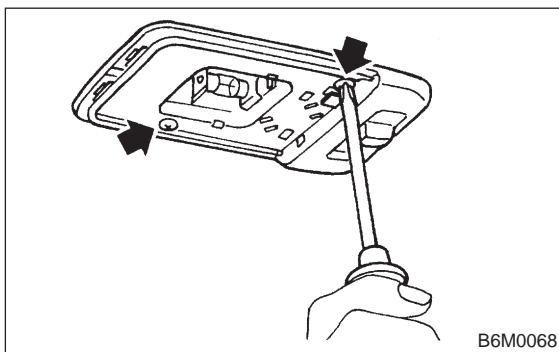


## 9. Room Light and Door Switch

### A: REMOVAL AND INSTALLATION

#### 1. ROOM LIGHT

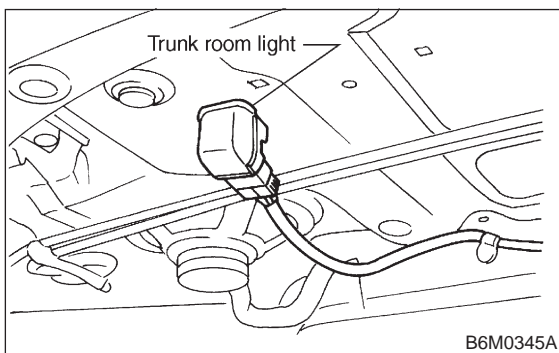
- 1) Pry room light lens off using a screwdriver.
- 2) Remove screws which secure room light body.



- 3) Remove room light body while disconnecting connector.
- 4) Installation is in the reverse order of removal.

#### 2. TRUNK ROOM LIGHT (SEDAN)

- 1) Turn trunk room light body by hand and remove it from rear shelf panel.
- 2) Disconnect connector of trunk room light.

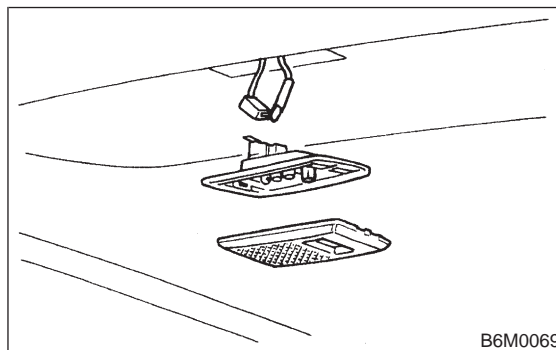


- 3) Installation is in the reverse order of removal.

#### 3. LUGGAGE ROOM LIGHT (WAGON)

- 1) Pry luggage room light lens off using a screwdriver.
- 2) Remove screws which secure luggage room light body.

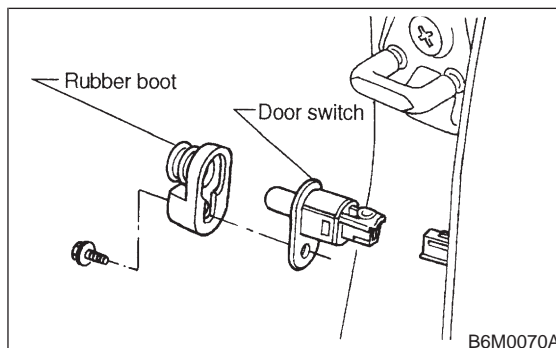
- 3) Remove luggage room light body while disconnecting connector.



- 4) Installation is in the reverse order of removal.

#### 4. DOOR SWITCH

- 1) Remove rubber boot of door switch.
- 2) Remove screw which secures door switch to body.



- 3) Remove door switch while disconnecting connector.
- 4) Installation is in the reverse order of removal.

#### 5. TRUNK ROOM LIGHT SWITCH (SEDAN)

Remove and install trunk room light switch which is installed in trunk lid lock. <Ref. to 5-1 [W2A3].>

#### 6. LUGGAGE ROOM LIGHT SWITCH (WAGON)

Remove and install luggage room light switch which is installed in rear gate lock. <Ref. to 5-2 [W3A2].>

### B: INSPECTION

#### 1. DOOR SWITCH

Move switch and check continuity between terminal of door switch and switch body.

Switch position	Terminal	Switch body
Open (ON)		
Push in (OFF)		

B6M0835A

**2. TRUNK ROOM LIGHT SWITCH (SEDAN)**

Move switch and check continuity between terminals of trunk room light switch.

Terminal	1	2
Switch position		
Open (ON)		
Push in (OFF)		

**SEDAN**

B6M0836A

**3. LUGGAGE ROOM LIGHT SWITCH (WAGON)**

Move switch and check continuity between terminals of luggage room light switch.

Terminal	1	2
Switch position		
Open (ON)		
Push in (OFF)		

**WAGON**

B6M0837A