

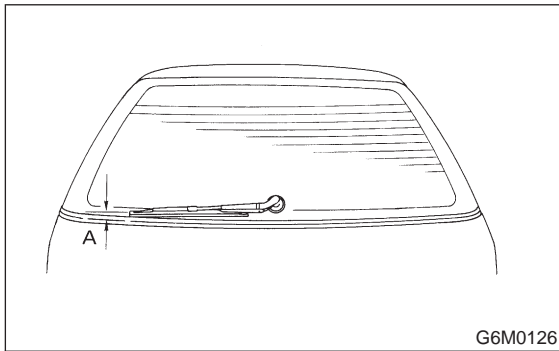
12. Rear Wiper and Washer

A: ADJUSTMENT

1) Adjust wiper blade in original position as shown in figure by changing wiper arm installation.

Original position:

A: 25 — 35 mm (0.98 — 1.38 in)

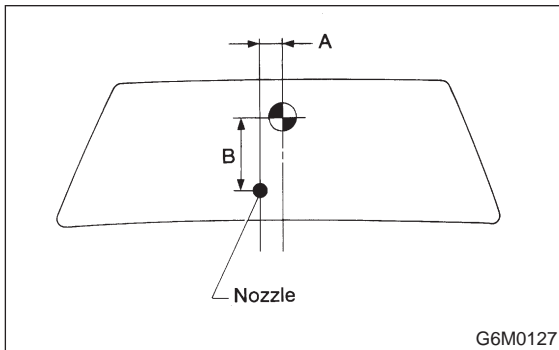


2) Adjust washer ejecting point on rear gate window as shown in figure when the vehicle stops.

Ejecting point:

A: 25 mm (0.98 in)

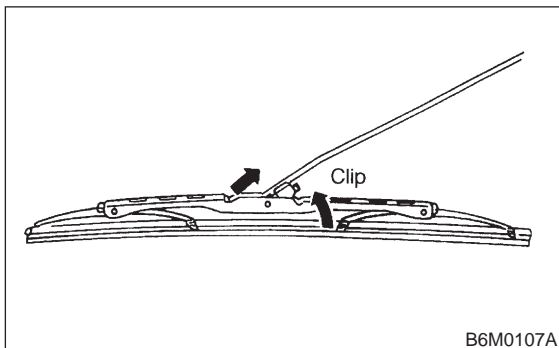
B: 200 — 300 mm (7.87 — 11.81 in)



B: REMOVAL AND INSTALLATION

1. BLADE

1) Pull out blade following the arrow direction, from arm while pushing up locking clip.



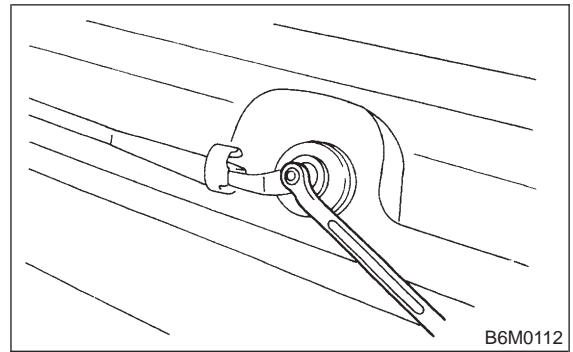
2) Installation is in the reverse order of removal.

2. WIPER ARM

- 1) Remove head cover.
- 2) Remove nut and wiper arm.
- 3) Installation is in the reverse order of removal.

Tightening torque:

5.9±1.5 N·m (0.6±0.15 kg·m, 4.3±1.1 ft·lb)



3. WIPER MOTOR

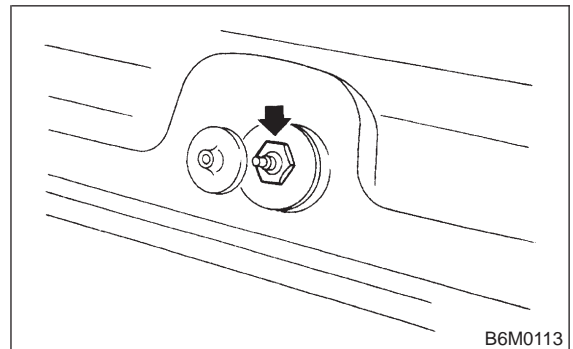
- 1) Remove cap and special nut.

CAUTION:

Be careful not to strike service tool against nozzle during removal.

Tightening torque:

7.4±1.5 N·m (0.75±0.15 kg·m, 5.4±1.1 ft·lb)

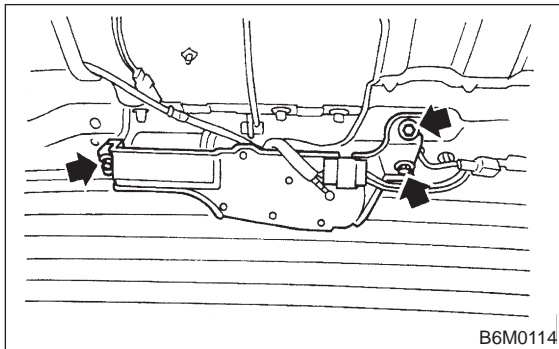


- 2) Remove rear gate trim. <Ref. to 5-2 [W3A1].>
- 3) Undo clips which secure harness, and disconnect connector of wiper motor.
- 4) Separate washer hoses at joint.

5) Remove attaching screws and take out wiper motor assembly.

CAUTION:

Be careful not to damage O-ring when removing wiper motor assembly.



6) Installation is in the reverse order of removal.

Tightening torque:

$5.9 \pm 1.5 \text{ N-m}$ ($0.6 \pm 0.15 \text{ kg-m}$, $4.3 \pm 1.1 \text{ ft-lb}$)

4. WASHER TANK AND WASHER MOTOR

Remove and install washer tank and washer motor. <Ref. to 6-2 [W11B4].>

5. COMBINATION SWITCH

Remove and install combination switch. <Ref. to 6-2 [W4B3].>

C: DISASSEMBLY AND ASSEMBLY

1. COMBINATION SWITCH

Disassemble and assemble combination switch. <Ref. to 6-2 [W4C1].>

D: INSPECTION

1. COMBINATION SWITCH (ON-CAR)

- 1) Remove instrument panel lower cover.
- 2) Remove lower column cover.
- 3) Unfasten holddown clip which secures harness, and disconnect connectors from body harness.

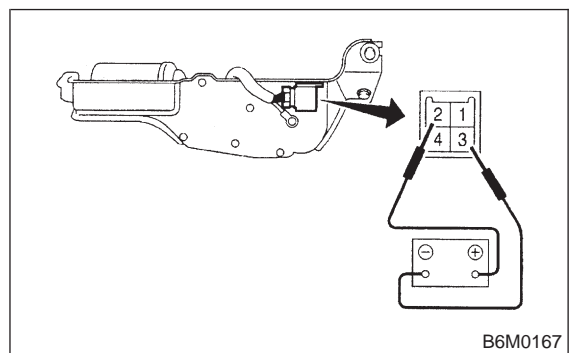
4) Set rear wiper and washer switch to each position and check continuity between terminals.

Terminal	d-2	d-1	d-3
Switch position			
WASH	○	○	
OFF			
ON	○		○
WASH	○	○	○

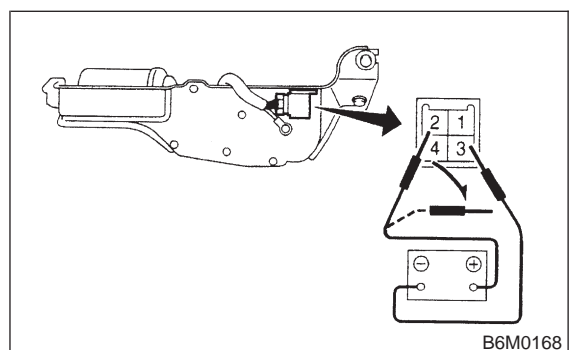
2. WIPER MOTOR

1) Operational check:

Connect battery to wiper motor and check operation of wiper motor.



2) Check wiper motor for proper stoppage: After operating wiper motor, disconnect battery from wiper motor.

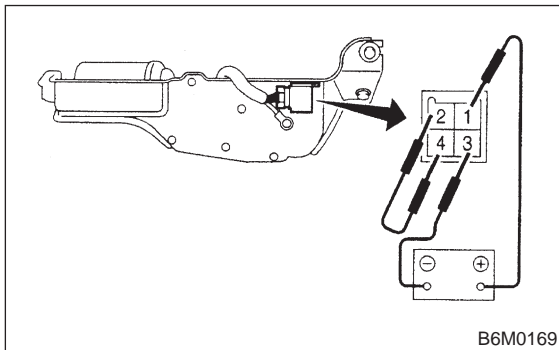


6-2 [W12D3]

12. Rear Wiper and Washer

SERVICE PROCEDURE

3) Reconnect battery and ensure that wiper motor stops at "AUTO STOP" after it has been operated.

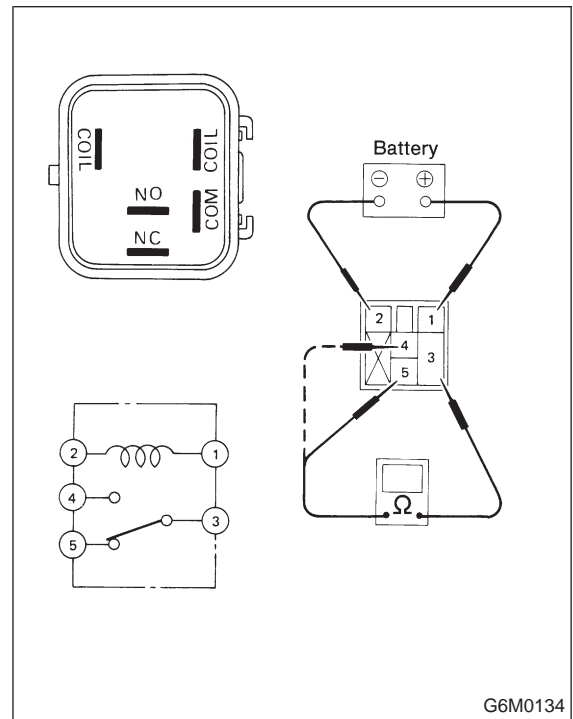


3. REAR WIPER RELAY

1) Connect battery to terminal No. 1 and ground terminal No. 2.

2) Check continuity between terminals.

When current flows.	Between terminals No. 3 and No. 5	Continuity does not exist.
	Between terminals No. 3 and No. 4	Continuity exists.
When current does not flow.	Between terminals No. 3 and No. 5	Continuity exists.
	Between terminals No. 3 and No. 4	Continuity does not exist.
	Between terminals No. 1 and No. 2	Continuity exists.



4. WASHER MOTOR

Apply battery voltage between terminals of washer motor connector and check that washer motor operates.

