

## 16. Horn and Cigarette Lighter

### A: REMOVAL AND INSTALLATION

#### 1. HORN

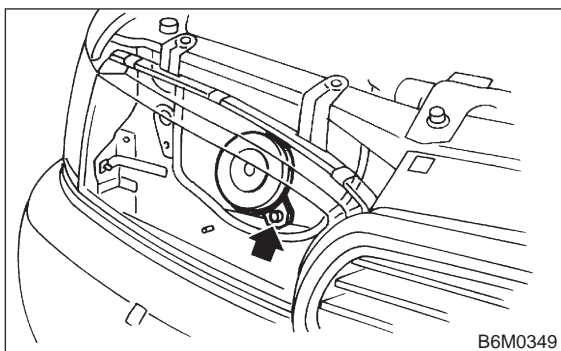
- 1) Open the engine hood.
- 2) Disconnect connector of horn.
- 3) Remove the horn.
- 4) Installation is in the reverse order of removal.

#### Tightening torque:

$18 \pm 5 \text{ N}\cdot\text{m}$  ( $1.8 \pm 0.5 \text{ kg}\cdot\text{m}$ ,  $13.0 \pm 3.6 \text{ ft}\cdot\text{lb}$ )

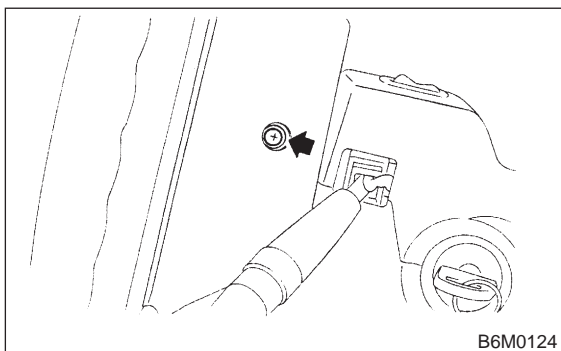
#### CAUTION:

After installing horn, connect connector, fit firmly wiring harness to prevent from disconnecting due to vibration.



#### 2. HORN SWITCH (HORN PAD)

- 1) Remove screw which secures horn switch (steering pad) to the base of steering wheel.

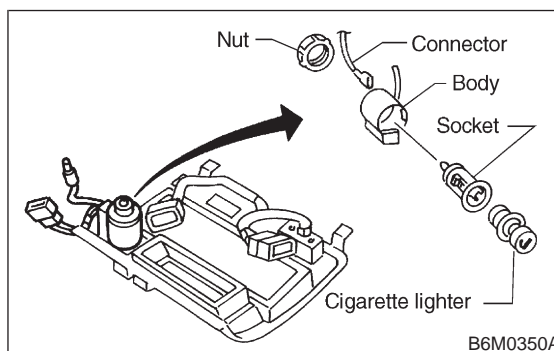


- 2) Remove horn switch (steering pad) from steering wheel while disconnecting connector.
- 3) Installation is in the reverse order of removal.

#### 3. CIGARETTE LIGHTER

- 1) Remove center panel from instrument panel. <Ref. to 5-4 [W1A0].>
- 2) Disconnect connector from cigarette lighter.
- 3) Turn illumination socket 45° counterclockwise and remove it.

- 4) Loosen nut, and then remove cigarette lighter body.



- 5) Installation is in the reverse order of removal.

#### CAUTION:

- Align socket with cutout portion of instrument panel during installation.
- In case of replacing cigarette lighter, use genuine part only and always replace both plug and socket combination.

### B: INSPECTION

#### 1. HORN SWITCH

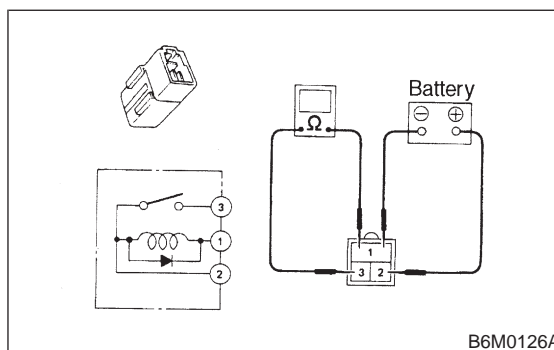
Ensure that horn switch is free from the following defects:

- (1) Burned or shorted contacts
- (2) Broken or weak spring
- (3) Damaged harness
- (4) Worn or corroded mating surface of horn plate

#### 2. HORN RELAY

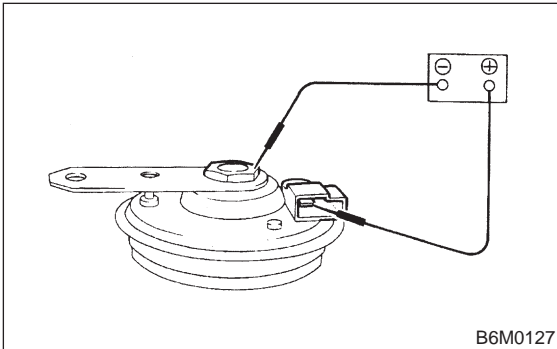
Check continuity between terminals as indicated in table, when connecting the battery to terminals No. 1 and No. 2.

When current flows.	Between terminals No. 2 and No. 3	Continuity exists.
When current does not flow.	Between terminals No. 2 and No. 3	Continuity does not exist.
	Between terminals No. 1 and No. 2	Continuity exists.



**3. HORN**

Make sure that horn sounds when battery voltage is applied between connector terminal and horn body.



**4. CIGARETTE LIGHTER**

- 1) Remove plug. Then, check element's contact for wear, and element for accumulation of ashes, foreign particles, etc.
- 2) Check element for discontinuity.
- 3) Remove socket and clean element. Then, check for wear or foreign particles on element's contact and mating surface.
- 4) Ensure that cigarette lighter returns within 20 seconds after it is turned to ON.

**17. Power Window**

**A: REMOVAL AND INSTALLATION**

**1. MAIN SWITCH, SUB SWITCH AND POWER WINDOW MOTOR**

Remove and install power window main switch, sub switch and motor. <Ref. to 5-2 [W2A2].>

**NOTE:**

To remove the power window motor, it is necessary to disassemble the door component parts.

**B: INSPECTION**

**1. MAIN SWITCH**

Set power window main switch to each position and check continuity between terminals.

