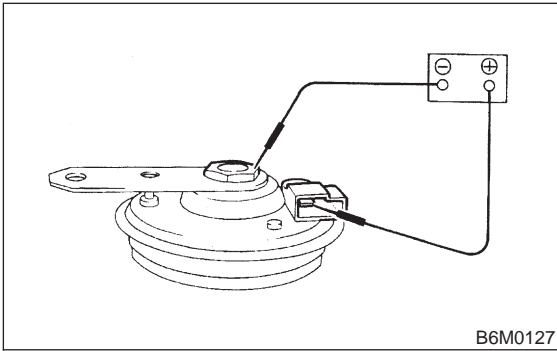


**3. HORN**

Make sure that horn sounds when battery voltage is applied between connector terminal and horn body.



**4. CIGARETTE LIGHTER**

- 1) Remove plug. Then, check element's contact for wear, and element for accumulation of ashes, foreign particles, etc.
- 2) Check element for discontinuity.
- 3) Remove socket and clean element. Then, check for wear or foreign particles on element's contact and mating surface.
- 4) Ensure that cigarette lighter returns within 20 seconds after it is turned to ON.

**17. Power Window**

**A: REMOVAL AND INSTALLATION**

**1. MAIN SWITCH, SUB SWITCH AND POWER WINDOW MOTOR**

Remove and install power window main switch, sub switch and motor. <Ref. to 5-2 [W2A2].>

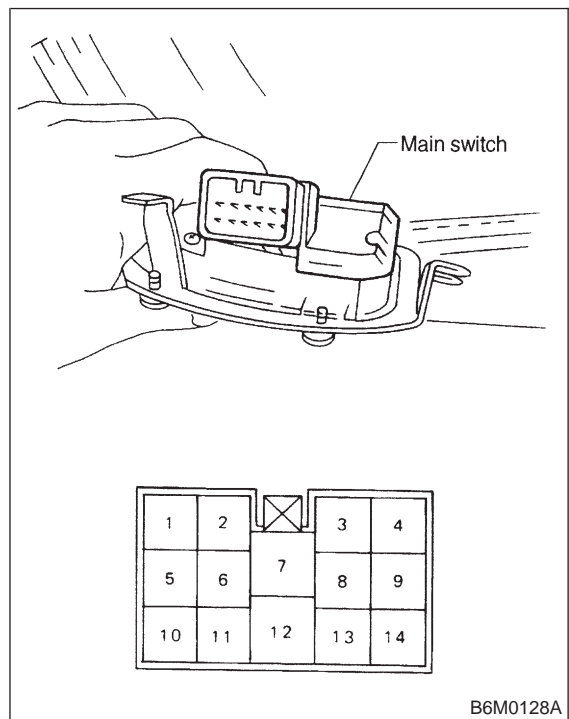
NOTE:

To remove the power window motor, it is necessary to disassemble the door component parts.

**B: INSPECTION**

**1. MAIN SWITCH**

Set power window main switch to each position and check continuity between terminals.

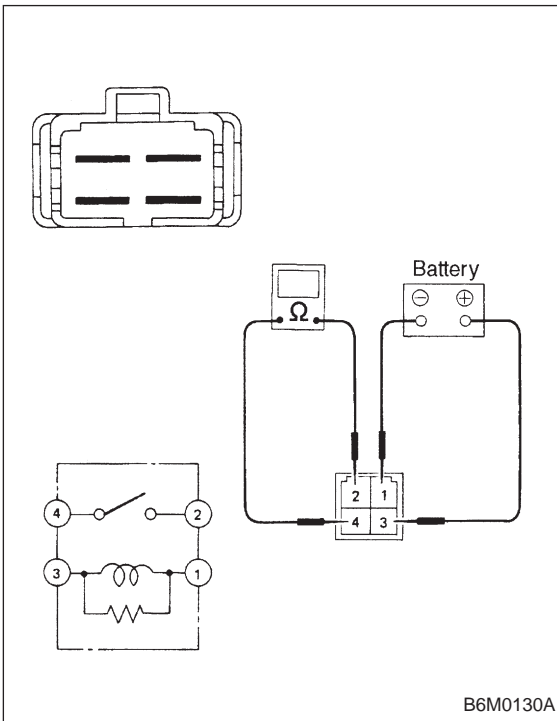


Window lock switch	Switch Position	Front RH				Front LH				Rear RH				Rear LH			
		7	14	9	12	7	13	8	12	7	6	11	12	7	10	5	12
NORMAL	UP	○	○	○	○	○	○	○	○	○	○	○	○	○	○	○	○
	OFF		○	○	○		○	○	○		○	○	○		○	○	○
	DOWN	○	○	○		○	○	○		○	○	○		○	○	○	
LOCK	UP	○	○			○	○	○	○	○	○			○	○		
	OFF		○	○			○	○	○		○	○			○	○	
	DOWN	○	○	○		○	○	○		○	○	○		○	○	○	

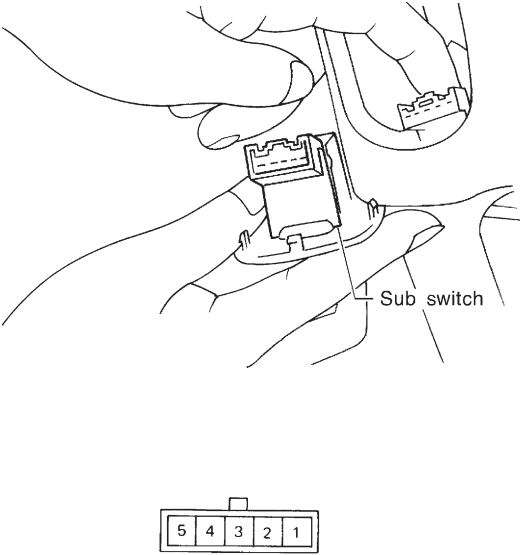
B6M0711

**2. SUB SWITCH**

Set power window sub switch to each position and check continuity between terminals.



B6M0130A



Terminal Switch position	5	1	3	4	2
UP	○		○	○	○
↕					
OFF		○	○	○	○
↕					
DOWN	○	○		○	○

B6M0712A

**3. POWER WINDOW MOTOR**

- 1) Make sure that power window motor rotates properly when battery voltage is applied to terminals of motor connector.
- 2) Change polarity of battery connections to terminals to ensure that motor rotates in reverse direction.

**4. POWER WINDOW RELAY**

Check continuity between terminals as indicated in table, when connecting the battery to terminal No. 1 and No. 3.

When current flows.	Between terminals No. 2 and No. 4	Continuity exists.
When current does not flow.	Between terminals No. 2 and No. 4	Continuity does not exist.
	Between terminals No. 1 and No. 3	Continuity exists.

**18. Power Door Lock**

**A: REMOVAL AND INSTALLATION**

**1. FRONT AND REAR DOOR, AND REAR GATE LOCK ACTUATOR**

Remove and install front door lock actuator, rear door lock actuators, and rear gate lock actuator. <Ref. to 5-2 [W2A7].>

**NOTE:**

To remove and install the actuators, it is necessary to disassemble the door component parts.

**2. DOOR LOCK TIMER**

- 1) Disconnect battery ground cable.

