

Terminal Switch position	5	1	3	4	2
UP	○		○	○	○
↕					
OFF		○	○	○	○
↕					
DOWN	○	○		○	○

B6M0712A

3. POWER WINDOW MOTOR

- 1) Make sure that power window motor rotates properly when battery voltage is applied to terminals of motor connector.
- 2) Change polarity of battery connections to terminals to ensure that motor rotates in reverse direction.

4. POWER WINDOW RELAY

Check continuity between terminals as indicated in table, when connecting the battery to terminal No. 1 and No. 3.

When current flows.	Between terminals No. 2 and No. 4	Continuity exists.
When current does not flow.	Between terminals No. 2 and No. 4	Continuity does not exist.
	Between terminals No. 1 and No. 3	Continuity exists.

18. Power Door Lock

A: REMOVAL AND INSTALLATION

1. FRONT AND REAR DOOR, AND REAR GATE LOCK ACTUATOR

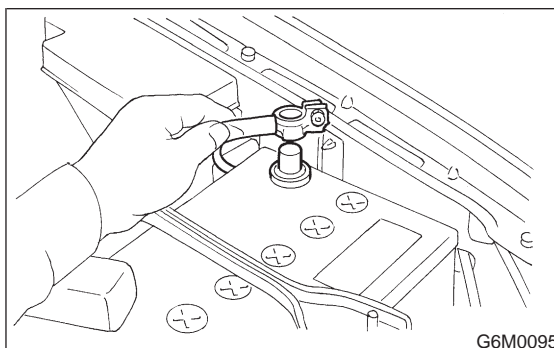
Remove and install front door lock actuator, rear door lock actuators, and rear gate lock actuator. <Ref. to 5-2 [W2A7].>

NOTE:

To remove and install the actuators, it is necessary to disassemble the door component parts.

2. DOOR LOCK TIMER

- 1) Disconnect battery ground cable.

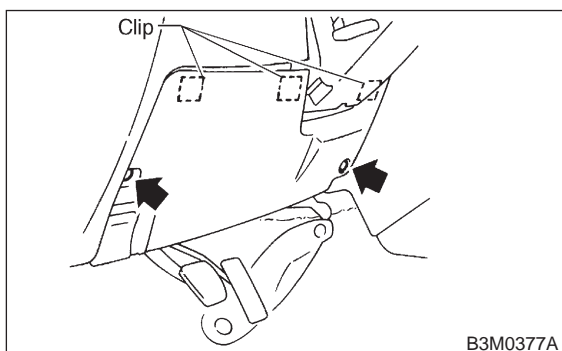


6-2 [W18B1]

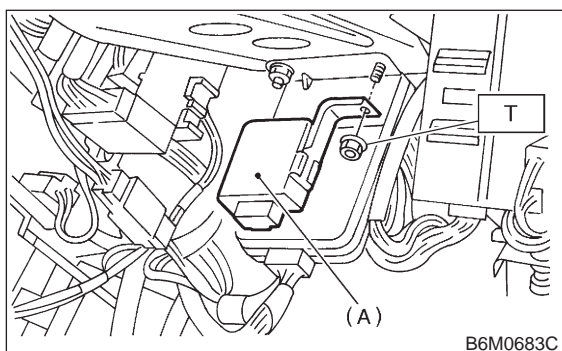
18. Power Door Lock

SERVICE PROCEDURE

2) Remove lower cover and then disconnect connector.



3) Remove door lock timer (A) while disconnecting connector.



4) Installation is in the reverse order of removal.

Tightening torque:

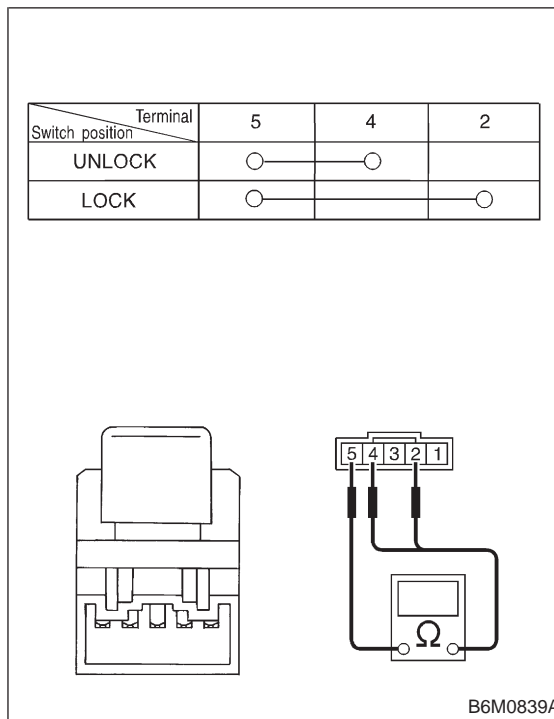
$7.4 \pm 2.5 \text{ N}\cdot\text{m}$ ($0.75 \pm 0.25 \text{ kg}\cdot\text{m}$, $5.4 \pm 1.8 \text{ ft}\cdot\text{lb}$)

B: INSPECTION

1. DOOR LOCK SWITCH (DRIVER'S AND FRONT PASSENGER'S DOOR)

1) Remove door trim panel. <Ref. to 5-2 [W2A2].>

2) Set switch to each position and check continuity between terminals.



2. ACTUATOR

1) Remove door trim panel. <Ref. to 5-2 [W2A2].>

2) Disconnect connector of actuator.

3) Make sure that door link moves to LOCK or UNLOCK position when battery voltage is applied between terminals:

- Connect battery positive (+) terminal to terminal No. 2, and negative (-) terminal to terminal No. 4 at a moment.

- Connect battery positive (+) terminal to terminal No. 4, and negative terminal (-) to terminal No. 2 at a moment.

