

19. Remote Controlled Rearview Mirror

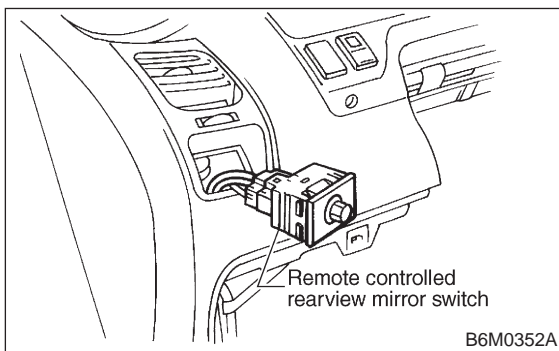
A: REMOVAL AND INSTALLATION

1. REMOTE CONTROLLED REARVIEW MIRROR SWITCH

1) Remove rearview mirror switch from instrument panel by using a small standard screwdriver.

CAUTION:

Do not pry rearview mirror switch forcefully as this may scratch instrument panel.



2) Remove rearview mirror switch while disconnecting connector.

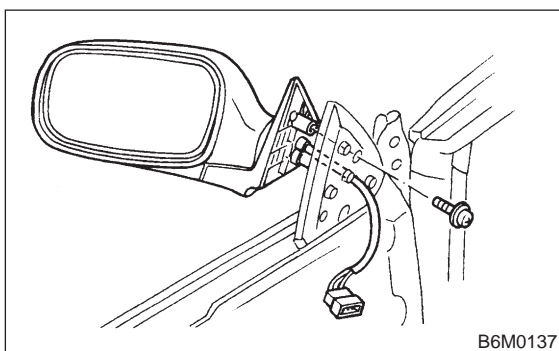
3) Installation is in the reverse order of removal.

2. REARVIEW MIRROR

1) Remove door trim panel. <Ref. to 5-2 [W2A2].>

2) Disconnect connector of rearview mirror.

3) Remove screws which secure rearview mirror, and then remove rearview mirror.



4) Installation is in the reverse order of removal.

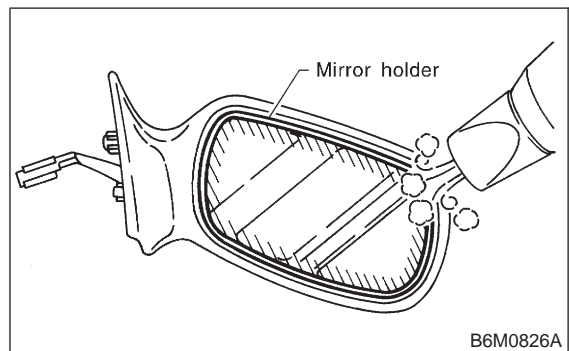
3. MIRROR PLATE

1) Remove rearview mirror. <Ref. to 6-2 [W19A2].>

2) Warm around the mirror holder by hair dryer.

CAUTION:

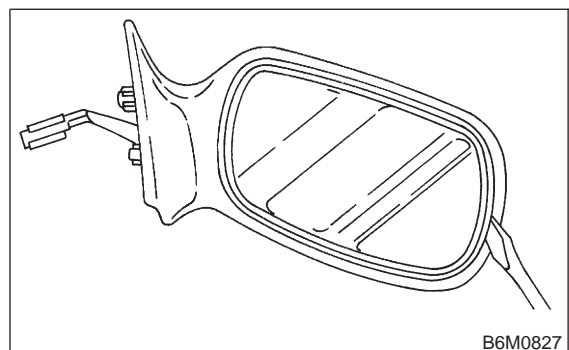
The mirror holder will become extremely hot. Avoid carelessly touching it.



3) Remove mirror plate while lifting the mirror holder using a flat bladed screwdriver.

NOTE:

When removing mirror plate in vehicles with mirror heater, disconnect mirror connector which is on the back side.



4) Installation is in the reverse order of removal.

B: INSPECTION

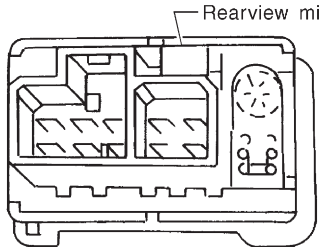
1. REARVIEW MIRROR SWITCH


Move rearview mirror switch to each position and check continuity between terminals.

6-2 [W19B2]

SERVICE PROCEDURE

19. Remote Controlled Rearview Mirror





Terminal \ Switch position	Mirror switch					Left/Right changing switch		
	OFF	Right	Left	Up	Down	Left	N	Right
7						○		
9							○	
6								○
8								○
2		○	○	○	○			○
		○	○				○	○
1		○	○	○	○			
				○	○	○		○
4		○	○	○	○			
3								

B6M0714A

2. REARVIEW MIRROR

Check to ensure that rearview mirror moves properly when battery voltage is applied to terminals.

Operation	Terminal connection	
	(+)	(-)
UP	3	1
DOWN	1	3
RIGHT	1	2
LEFT	2	1

