

20. Sunroof

A: REMOVAL AND INSTALLATION

1. SUNROOF AND SUNROOF MOTOR

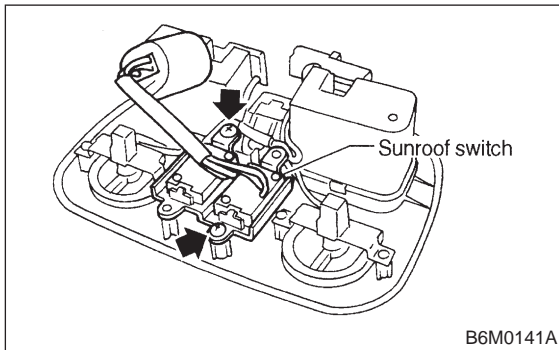
<Ref. to 5-1 [W16A0].> as for removal and installation of sunroof system.

2. SUNROOF SWITCH

NOTE:

The sunroof switch is installed in spot light body.

- 1) Pry spot light lens off using a screwdriver.
- 2) Remove screws which secure spot light body.
- 3) Remove spot light body while disconnecting connectors.
- 4) Remove screw which secures sunroof switch, and then remove sunroof switch.

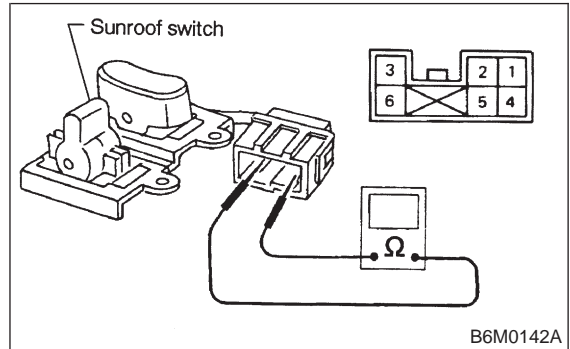


- 5) Installation is in the reverse order of removal.

B: INSPECTION

1. SUNROOF SWITCH

Set sunroof switch to each position and check continuity between terminals as indicated in table below:



Except OUTBACK					
Terminal	4	3	6	5	2
Open	○	○			
Close	○	○	○		
Tilt up	○			○	
Tilt down	○				○

OUTBACK					
Terminal	4	2	5	6	3
Open (Rear)	○	○			
Close (Rear)	○		○		
Tilt up (Front)	○			○	
Tilt down (Front)	○				○

2. SUNROOF MOTOR

1) Apply battery voltage between 1-pin connector (Except OUTBACK) or terminal No. 1 (OUTBACK) and body ground wire.

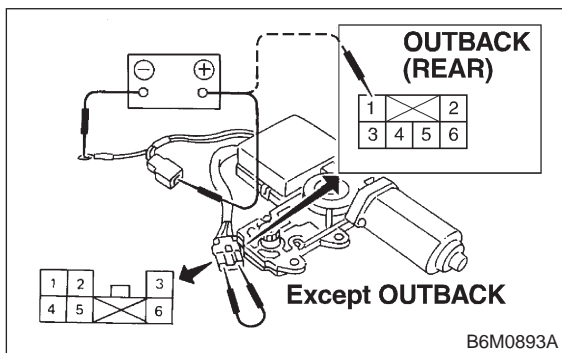
2) Make sure that sunroof motor moves when connecting terminals as described below:

Except OUTBACK

- Connect between terminals No. 3 and 4 (OPEN)
- Connect between terminals No. 6 and 4 (CLOSE)
- Connect between terminals No. 5 and 4 (TILT UP)
- Connect between terminals No. 2 and 4 (TILT DOWN)

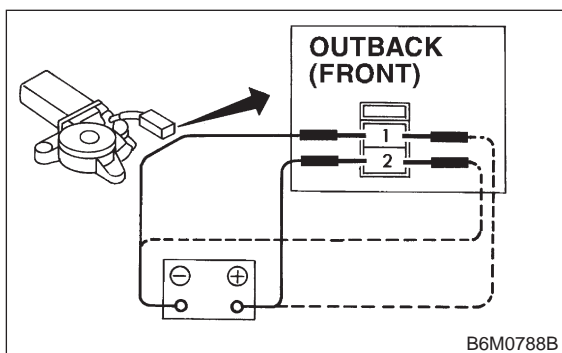
OUTBACK (Rear)

- Connect between terminals No. 2 and 3 (OPEN)
- Connect between terminals No. 6 and 3 (CLOSE)



OUTBACK (Front)

- Connect between terminals No. 1 and 2 (TILT UP)
- Connect between terminals No. 2 and 1 (TILT DOWN)



3. SUNROOF RELAY

Check continuity between terminals as indicated in table below, when battery voltage is applied between terminals No. 1 and No. 2.

When current flows.	Between terminals No. 3 and No. 4	Continuity exists.
When current does not flow.	Between terminals No. 3 and No. 4	Continuity does not exist.
	Between terminals No. 1 and No. 2	Continuity exists.

