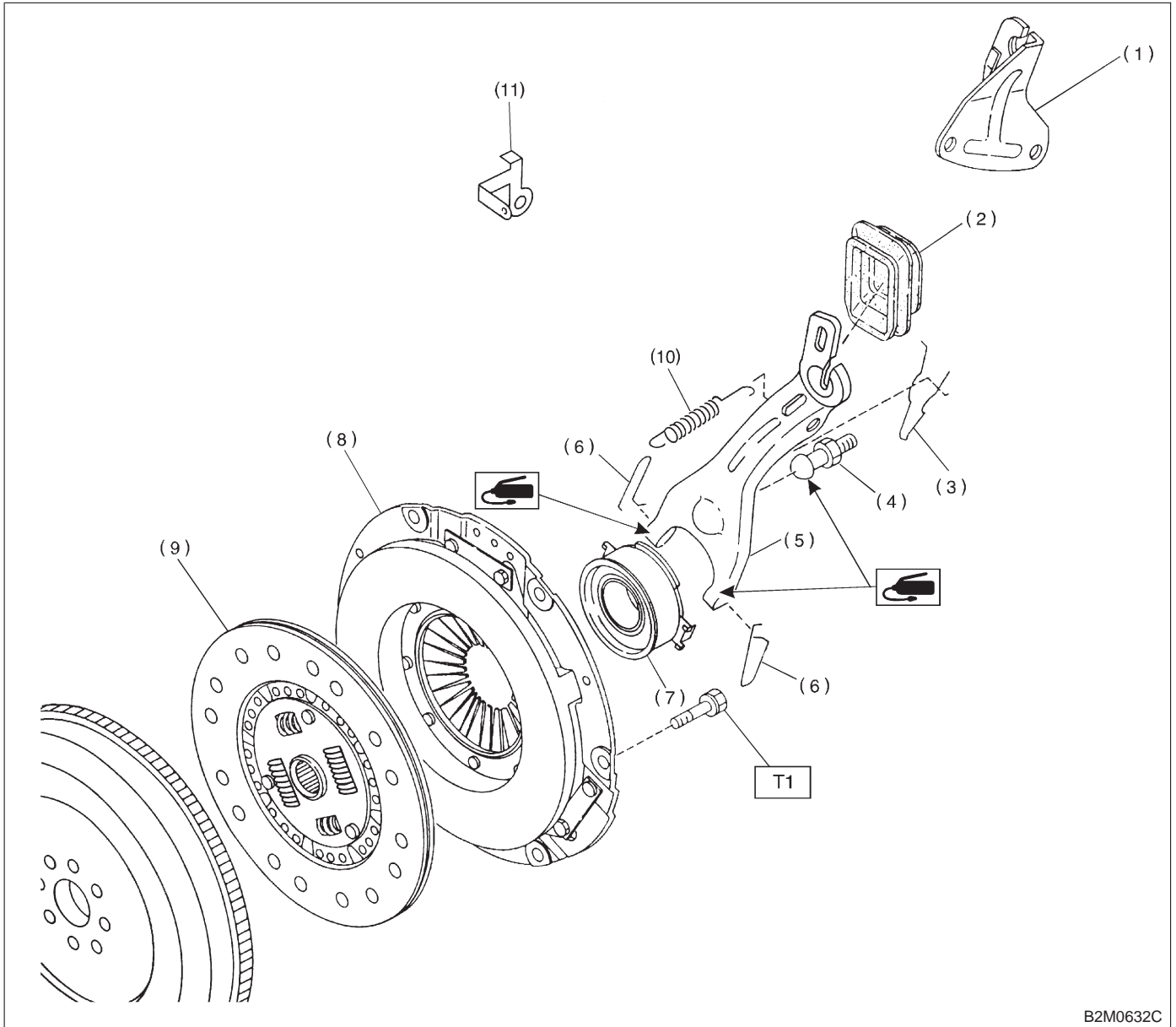


1. Clutch System

A: MECHANICAL APPLICATION TYPE



B2M0632C

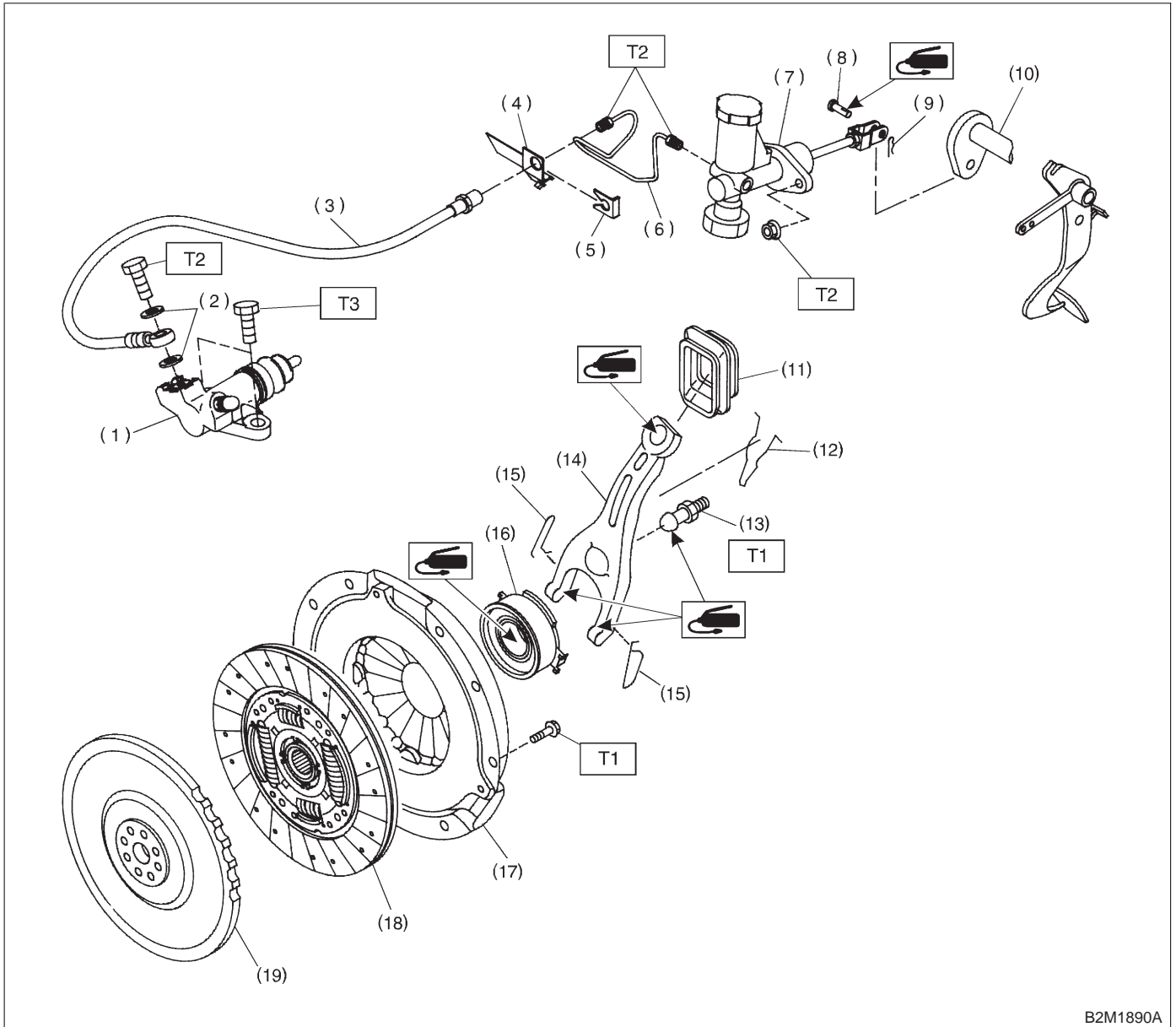
- (1) Clutch cable bracket
- (2) Clutch release lever sealing
- (3) Retainer spring
- (4) Pivot
- (5) Clutch release lever

- (6) Clip
- (7) Clutch release bearing
- (8) Clutch cover
- (9) Clutch disc

- (10) Return spring (Models without hill holder only)
- (11) Clutch return spring bracket

**Tightening torque: N·m (kg·m, ft·lb)**  
**T1: 15.7±1.5 (1.6±0.15, 11.6±1.1)**

**B: HYDRAULIC APPLICATION TYPE**



B2M1890A

- (1) Operating cylinder
- (2) Washer
- (3) Clutch hose
- (4) Bracket
- (5) Clamp
- (6) Pipe
- (7) Master cylinder ASSY
- (8) Clevis pin
- (9) Snap pin

- (10) Lever
- (11) Clutch release lever sealing
- (12) Retainer spring
- (13) Pivot
- (14) Release lever
- (15) Clip
- (16) Release bearing
- (17) Clutch cover
- (18) Clutch disc

- (19) Flywheel

**Tightening torque: N-m (kg-m, ft-lb)**

**T1: 15.7±1.5 (1.6±0.15, 11.6±1.1)**

**T2: 18±3 (1.8±0.3, 13.0±2.2)**

**T3: 37±3 (3.8±0.3, 27.5±2.2)**