

3. Release Bearing and Lever

A: REMOVAL

1. MECHANICAL APPLICATION TYPE

1) Remove transmission assembly from vehicle body.

<Ref. to 2-11 [W2B0].>

2) Remove release lever return spring (Models without hill holder only).

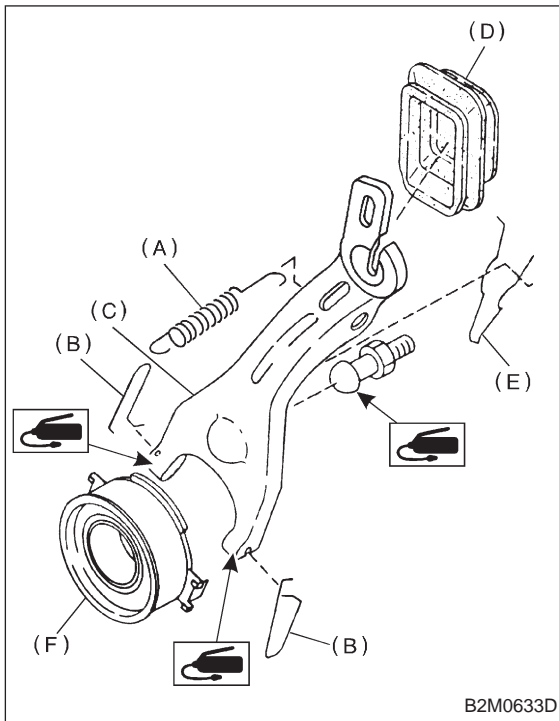
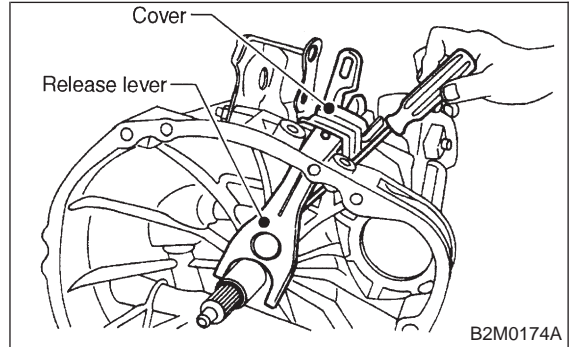
3) Remove the two clips from clutch release lever and remove release bearing.

CAUTION:

Be careful not to deform clips.

4) Remove release lever seal.

5) Remove release lever retainer spring from release lever pivot with a screwdriver by accessing it through clutch housing release lever hole. Then remove release lever.



- (A) Release lever return spring
- (B) Clip
- (C) Release lever
- (D) Release lever seal
- (E) Retainer spring
- (F) Clutch release lever

2. HYDRAULIC APPLICATION TYPE

1) Remove transmission assembly from vehicle body.

<Ref. to 2-11 [W2B0].>

2) Remove operating cylinder.

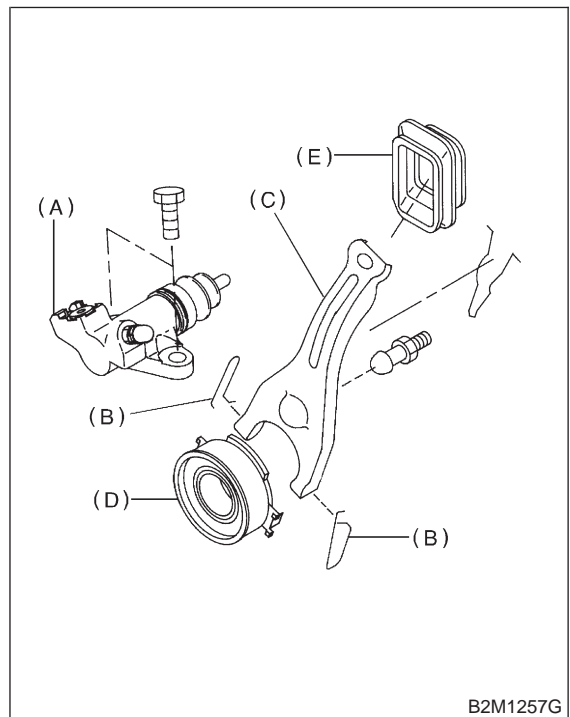
<Ref. to 2-10 [W5A0].>

3) Remove the two clips from clutch release lever and remove release bearing.

CAUTION:

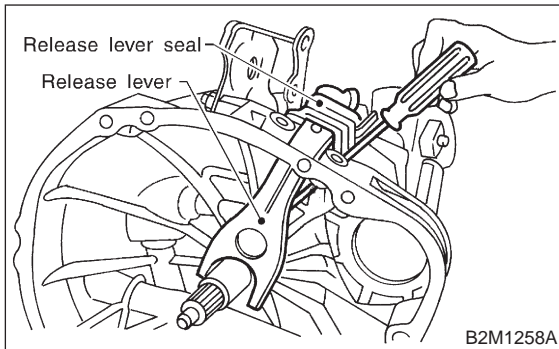
Be careful not to deform clips.

4) Remove release lever seal.



- (A) Operating cylinder
- (B) Clip
- (C) Clutch release lever
- (D) Release bearing
- (E) Release lever seal

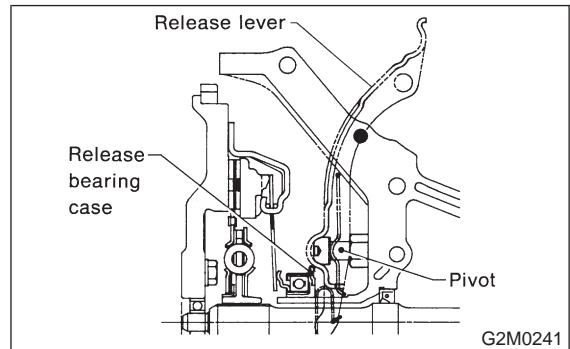
5) Remove release lever retainer spring from release lever pivot with a screwdriver by accessing it through clutch housing release lever hole. Then remove release lever.



3) Check wear and damage of bearing case surface contacting with lever.

2. RELEASE LEVER

1) Check lever pivot portion and the point of contact with release bearing case for wear.



B: INSPECTION

1. RELEASE BEARING

CAUTION:

Since this bearing is grease sealed and is of a nonlubrication type, do not wash with gasoline or any solvent when servicing the clutch.

1) Check the bearing for smooth movement by applying force in the radial direction.

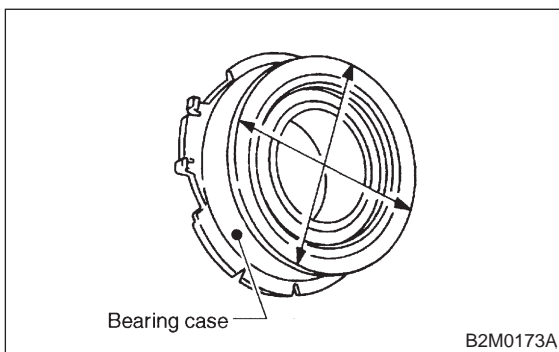
Radial direction stroke:

FWD; Approx.

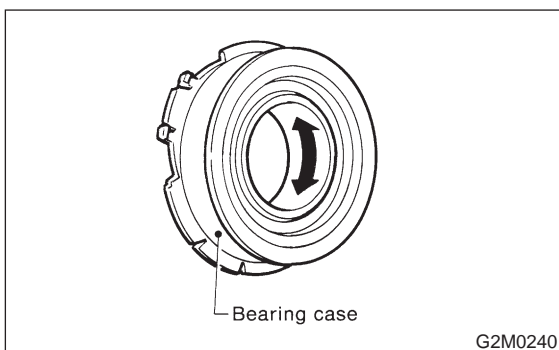
1.0 mm (0.039 in)

AWD; Approx.

1.4 mm (0.055 in)



2) Check the bearing for smooth rotation by applying pressure in the thrust direction.



C: INSTALLATION

CAUTION:

Before or during assembling, lubricate the following points with a light coat of grease.

- Inner groove of release bearing
- Contact surface of lever and pivot
- Contact surface of lever and bearing
- Transmission main shaft spline (Use grease containing molybdenum disulphide.)

3. Release Bearing and Lever

1. MECHANICAL APPLICATION TYPE

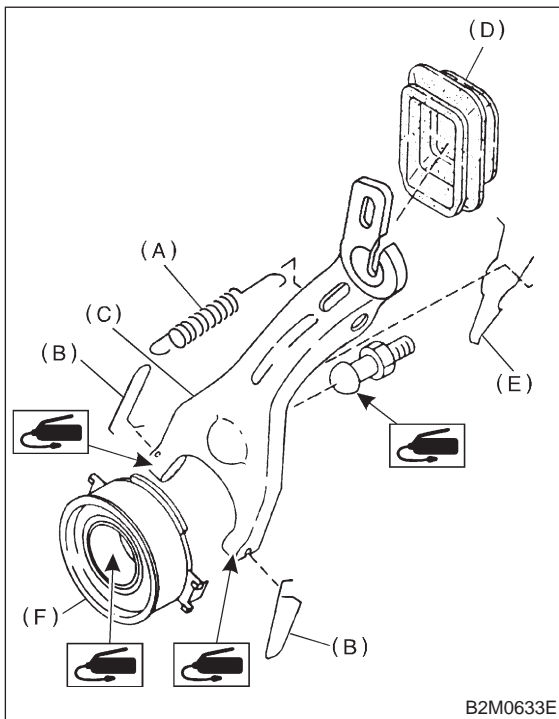
1) While pushing release lever to pivot and twisting it to both sides, fit retainer spring onto the constricted portion of pivot.

NOTE:

Confirm that retainer spring is securely fitted by observing it through the main case hole.

2) Install release bearing and fasten it with two clips.

3) Install release lever seal.

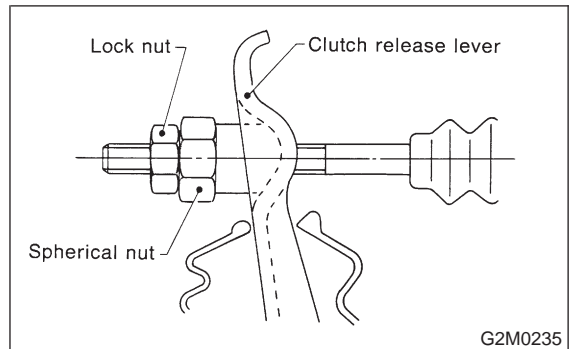


- (A) Release lever return spring
- (B) Clip
- (C) Release lever
- (D) Release lever seal
- (E) Retainer spring
- (F) Release lever bearing

4) After remounting engine and transmission on body, make adjustment of the clutch release lever end play.

CAUTION:

Take care not to twist the cable during adjustment.



5) Install release lever return spring (Models without hill holder only).

NOTE:

Hook up the return spring to right side hole of the release lever.

2. HYDRAULIC APPLICATION TYPE

1) While pushing release lever to pivot and twisting it to both sides, fit retainer spring onto the constricted portion of pivot.

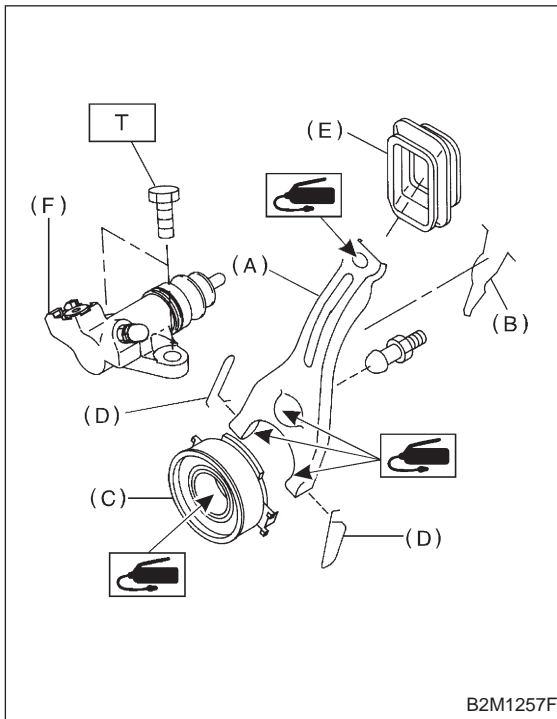
NOTE:

- Apply grease (SUNLIGHT 2: P/N 003602010) to contact point of release lever and operating cylinder.
- Confirm that retainer spring is securely fitted by observing it through the main case hole.

- 2) Install release bearing and fasten it with two clips.
- 3) Install release lever seal.
- 4) Install operating cylinder.

Tightening torque:

T: 37±3 N·m (3.8±0.3 kg·m, 27.5±2.2 ft·lb)



- (A) Release lever
- (B) Retainer spring
- (C) Release bearing
- (D) Clip
- (E) Release lever seal
- (F) Operating cylinder

5) After remounting engine and transmission on body.

<Ref. to 2-11 [W2C0].>

6) Bleed air from oil line with the help of a co-worker.

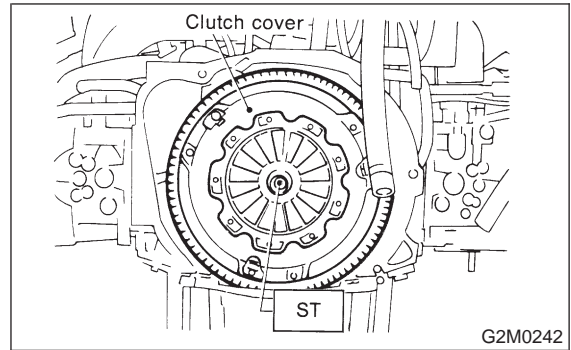
<Ref. to 2-10 [W2A2].>

4. Clutch Disc and Cover

A: REMOVAL

1) Install ST on flywheel.

ST 498497100C RANKSHAFT STOPPER



2) Remove clutch cover and clutch disc.

CAUTION:

- Take care not to allow oil on the clutch disc facing.
- Do not disassemble either clutch cover or clutch disc.

3) Remove flywheel.

