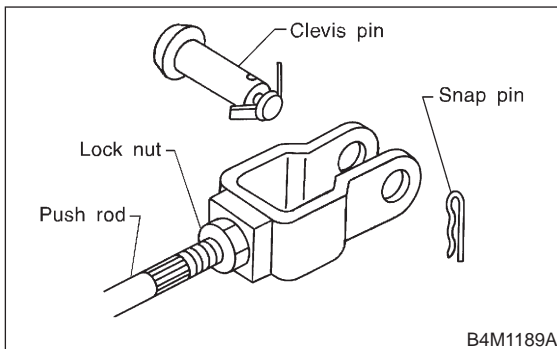


## 6. Master Cylinder and Reservoir Tank

### A: REMOVAL

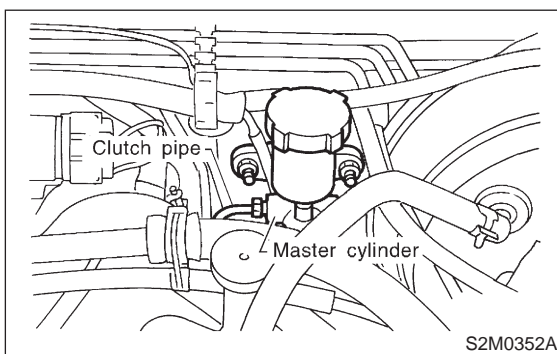
- 1) Thoroughly drain brake fluid from reservoir tank.
- 2) Remove snap pin, clevis pin and separate push rod of master cylinder from clutch pedal.



- 3) Remove clutch pipe from master cylinder.
- 4) Remove master cylinder with reservoir tank.

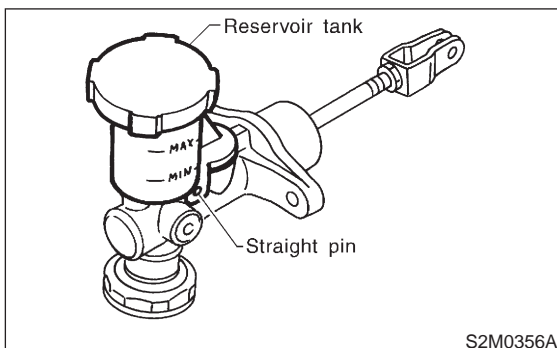
**CAUTION:**

Be extremely careful not to spill brake fluid. Brake fluid spilled on the vehicle body will harm the paint surface; wipe it off quickly if spilled.

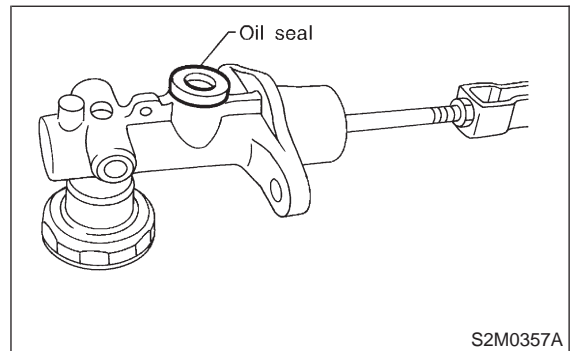


### B: DISASSEMBLY

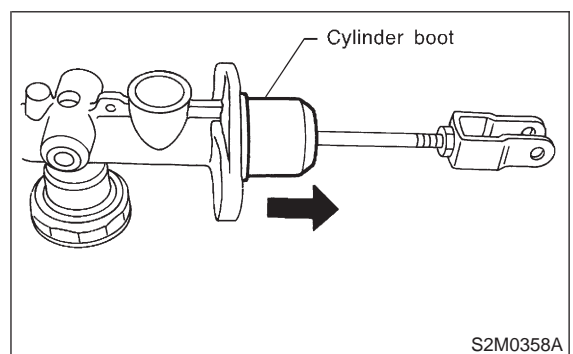
- 1) Remove straight pin and reservoir tank.



- 2) Remove oil seal.



- 3) Move the cylinder boot backward.

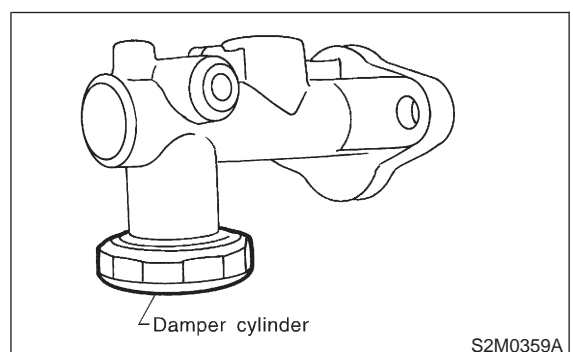


- 4) Remove snap ring.

**CAUTION:**

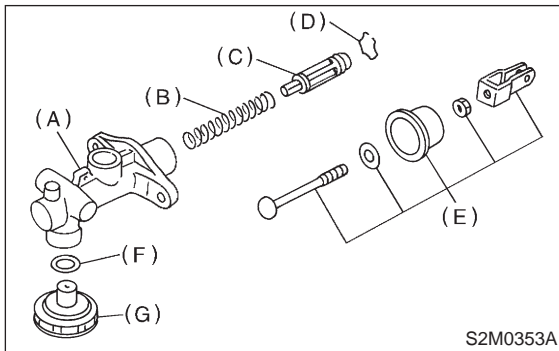
Be careful when removing the snap ring to prevent the rod, washer, piston and return spring from flying out.

- 5) Remove damper cylinder from master cylinder body.



**C: INSPECTION**

If any damage, deformation, wear, swelling, rust or other faults are found on the cylinder, piston, push rod, fluid reservoir, return spring and gasket, replace the faulty part.



- (A) Master cylinder body
- (B) Return spring
- (C) Piston
- (D) Snap ring
- (E) Rod assy
- (F) Washer
- (G) Damper cylinder

**D: ASSEMBLY**

**CAUTION:**

Apply a coat of grease to the contacting surfaces of the push rod and piston before installation.

- 1) To assemble the master cylinder reverse the sequence of disassembly procedure.
- 2) Install damper cylinder washer. Install damper cylinder and tighten to the specified torque.

**Tightening torque:**

**T: 46.6±7.4 N·m (4.75±0.75 kg-m, 34.4±5.4 ft-lb)**

**E: INSTALLATION**

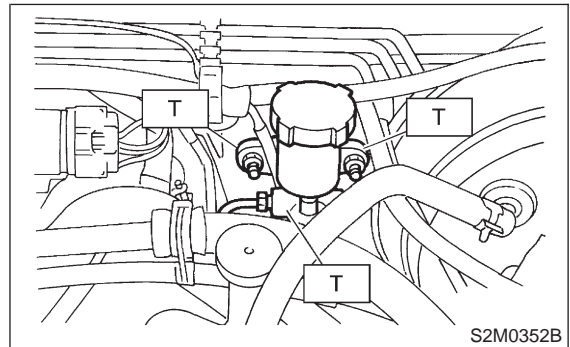
- 1) Install master cylinder to body, and install clutch pipe to master cylinder.

**CAUTION:**

Check that pipe is routed properly.

**Tightening torque:**

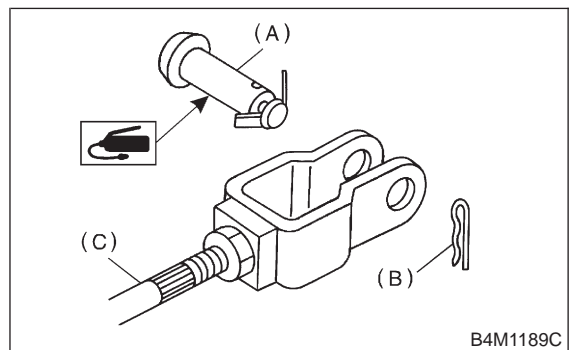
**T: 18±3 N·m (1.8±0.3 kg-m, 13.0±2.2 ft-lb)**



- 2) Connect push rod of master cylinder to clutch pedal, and install clevis pin and snap pin.

**NOTE:**

Apply grease to clevis pin.



- (A) Clevis pin
- (B) Snap pin
- (C) Push rod

- 3) After bleeding air from system, ensure that clutch operates properly.

<Ref. to 2-10 [W2A2].>