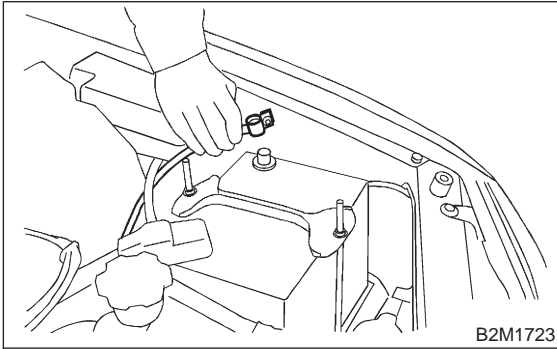


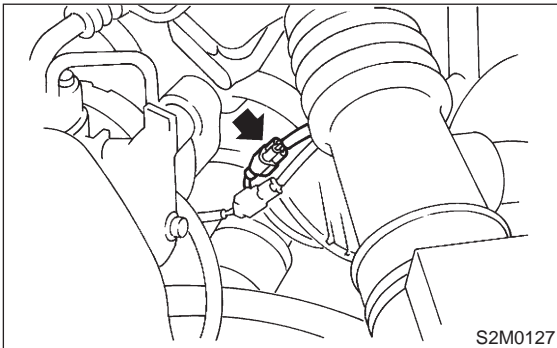
# 1. Front Catalytic Converter

## A: REMOVAL

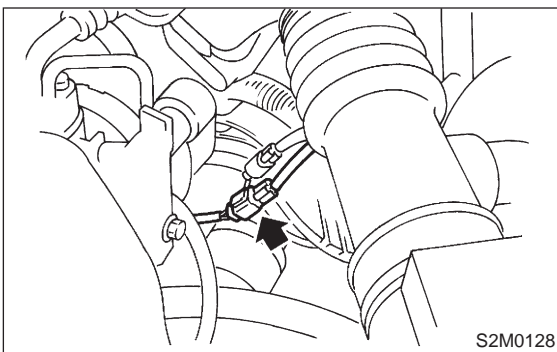
1) Disconnect battery ground cable.



2) Disconnect front oxygen sensor connector.

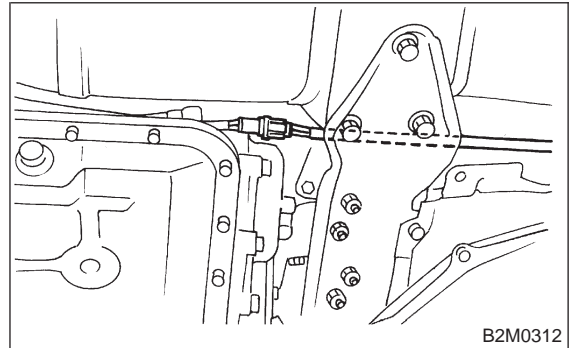


3) Disconnect rear oxygen sensor connector.  
(California spec. vehicles)

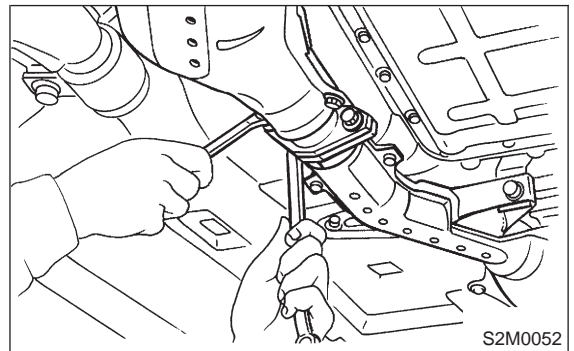


4) Lift-up the vehicle.

5) Disconnect rear oxygen sensor connector.  
(Except California spec. vehicles)



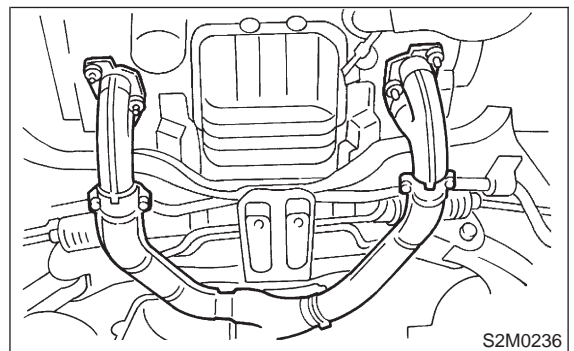
6) Separate center exhaust pipe from front catalytic converter.



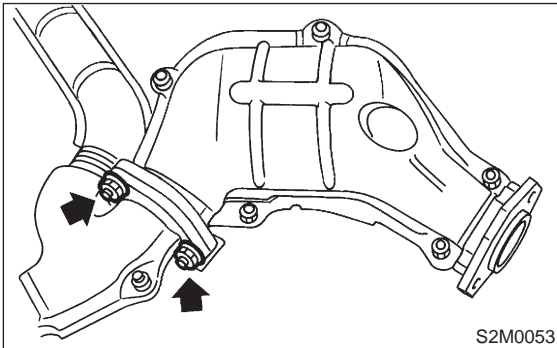
7) Remove bolts which hold front exhaust pipe onto cylinder heads.

**CAUTION:**

**Be careful not to pull down front exhaust pipe and center exhaust pipe.**



8) Separate front catalytic converter from front exhaust pipe.



S2M0053

**B: INSTALLATION**

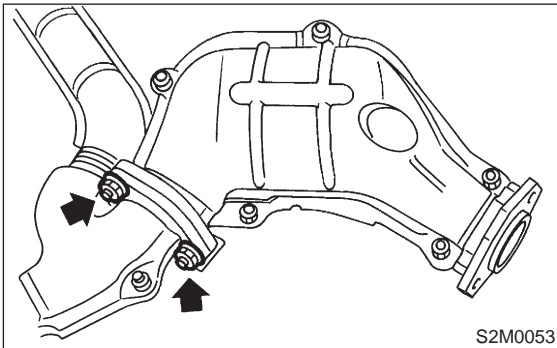
**CAUTION:**

**Replace gaskets with new ones.**

1) Install front catalytic converter to front exhaust pipe and center exhaust pipe.

**Tightening torque:**

**30±5 N·m (3.1±0.5 kg-m, 22.4±3.6 ft-lb)**

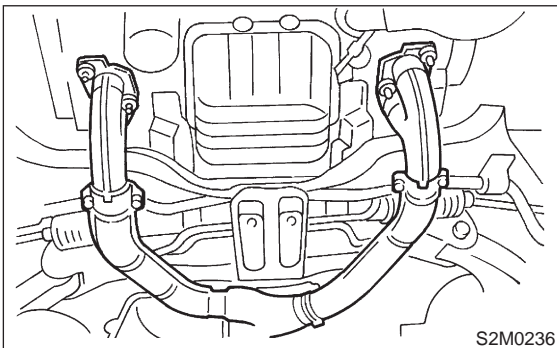


S2M0053

2) Tighten bolts which hold front exhaust pipe onto cylinder heads.

**Tightening torque:**

**30±5 N·m (3.1±0.5 kg-m, 22.4±3.6 ft-lb)**

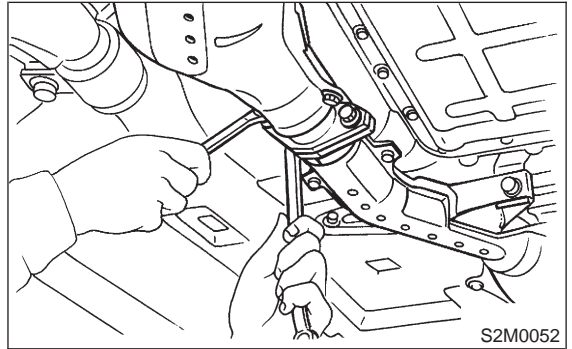


S2M0236

3) Install center exhaust pipe to front catalytic converter.

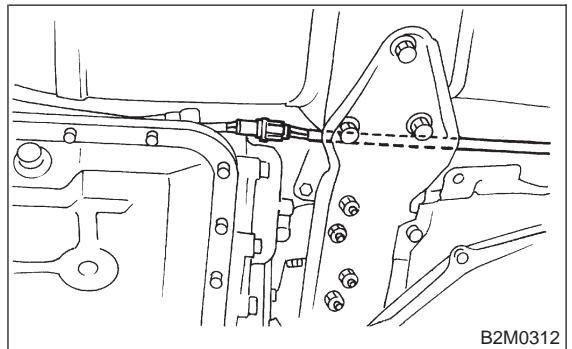
**Tightening torque:**

**35±5 N·m (3.6±0.5 kg-m, 26.0±3.6 ft-lb)**



S2M0052

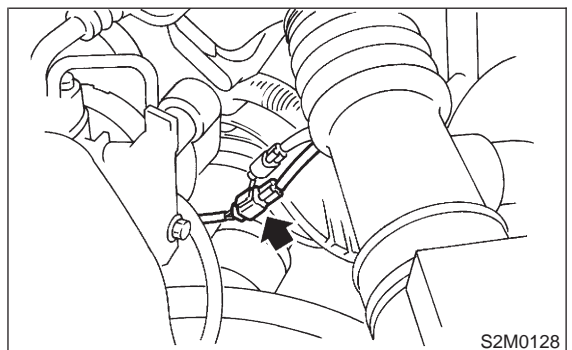
4) Connect rear oxygen sensor connector. (Except California spec. vehicles)



B2M0312

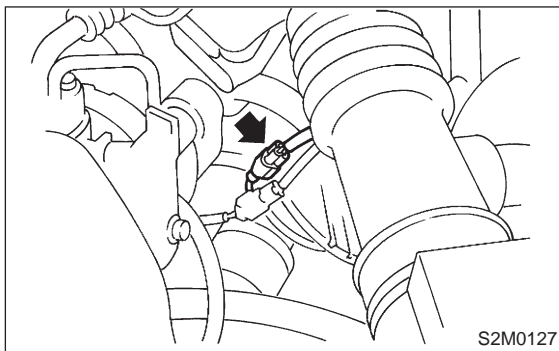
5) Lower the vehicle.

6) Connect rear oxygen sensor connector. (California spec. vehicles)

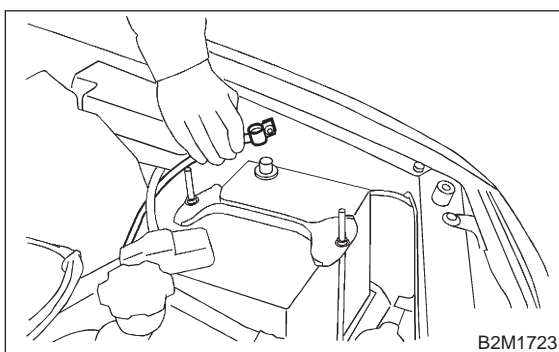


S2M0128

7) Connect front oxygen sensor connector.



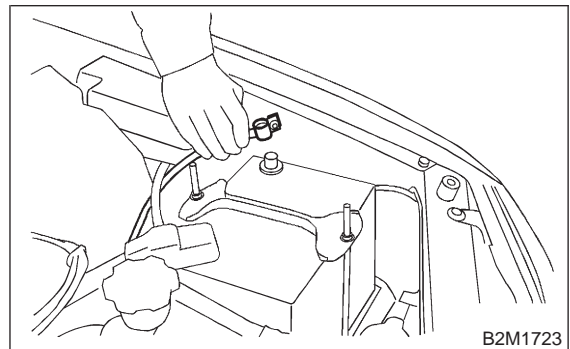
8) Connect battery ground cable.



## 2. Rear Catalytic Converter

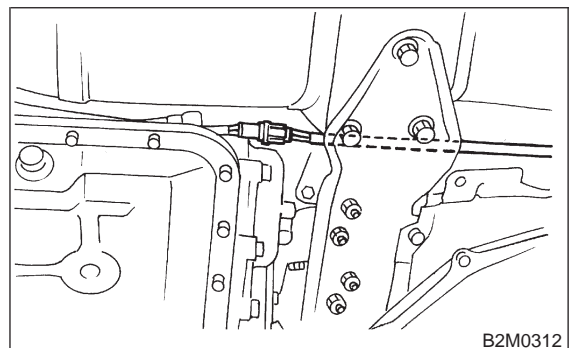
### A: REMOVAL

1) Disconnect battery ground cable.



2) Lift-up the vehicle.

3) Disconnect rear oxygen sensor connector.  
(Except California spec. vehicles)



4) Separate center exhaust pipe and rear catalytic converter assembly from rear exhaust pipe.

