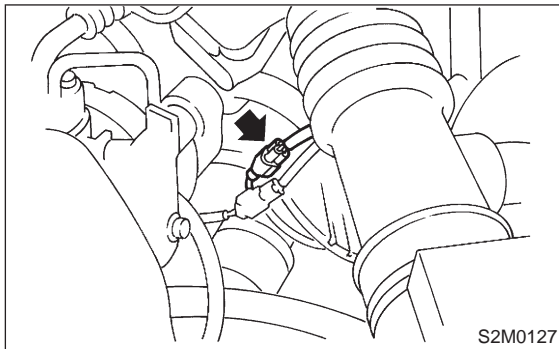
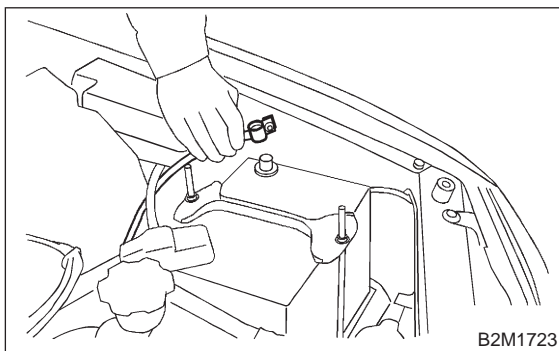


7) Connect front oxygen sensor connector.



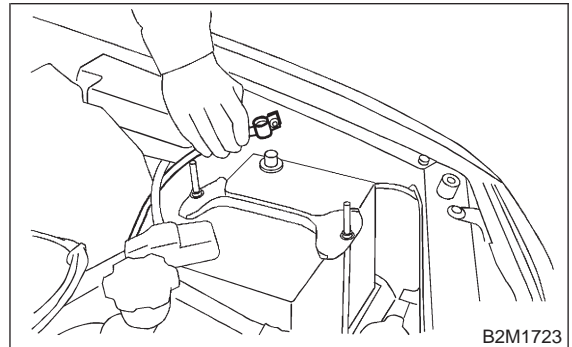
8) Connect battery ground cable.



2. Rear Catalytic Converter

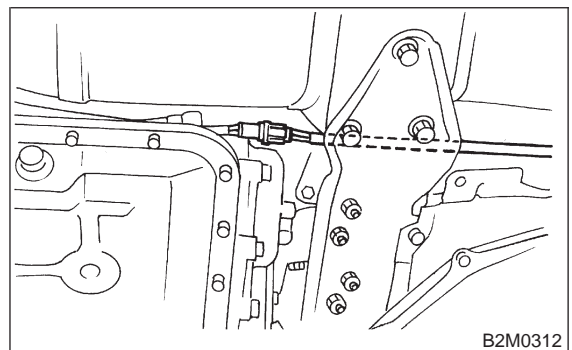
A: REMOVAL

1) Disconnect battery ground cable.

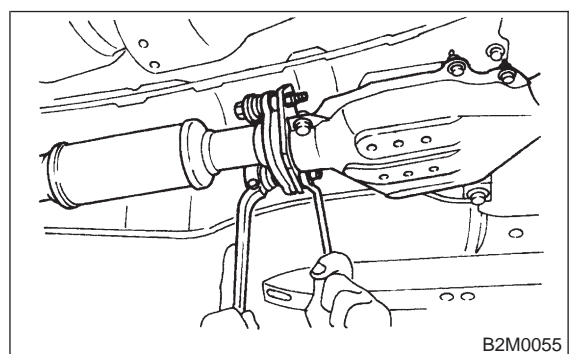


2) Lift-up the vehicle.

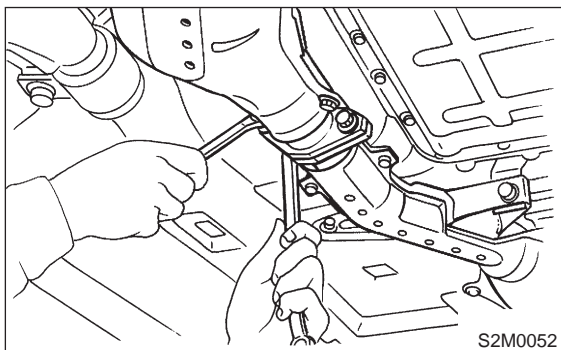
3) Disconnect rear oxygen sensor connector.
(Except California spec. vehicles)



4) Separate center exhaust pipe and rear catalytic converter assembly from rear exhaust pipe.



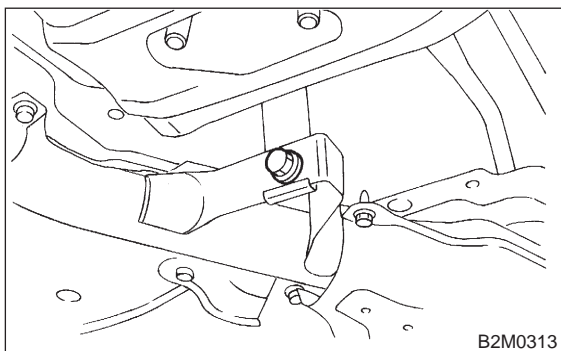
5) Separate center exhaust pipe and rear catalytic converter assembly from front catalytic converter.



6) Remove center exhaust pipe and rear catalytic converter assembly from hanger bracket.

CAUTION:

- Be careful not to pull down center exhaust pipe.
- After removing center exhaust pipe, do not apply excessive pulling force on front catalytic converter and front exhaust pipe.



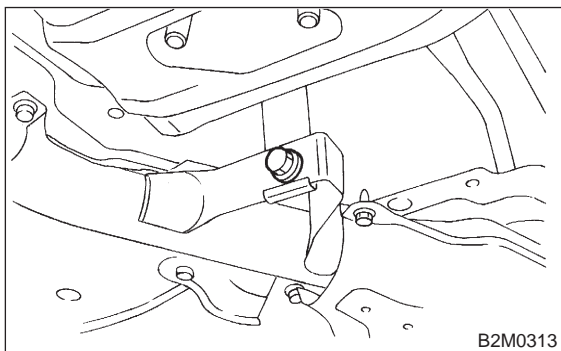
B: INSTALLATION

CAUTION:

Replace gaskets with new ones.

1) Install center exhaust pipe and rear catalytic converter assembly.

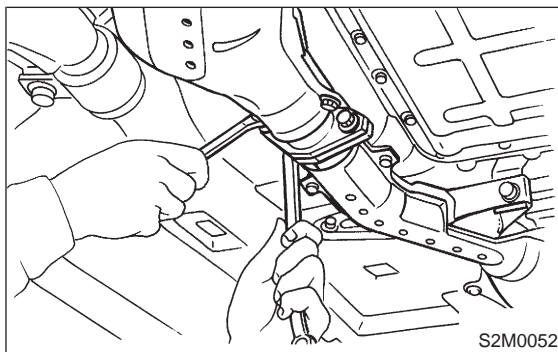
Temporarily tighten bolt which installs center exhaust pipe to hanger bracket.



2) Install center exhaust pipe to front catalytic converter.

Tightening torque:

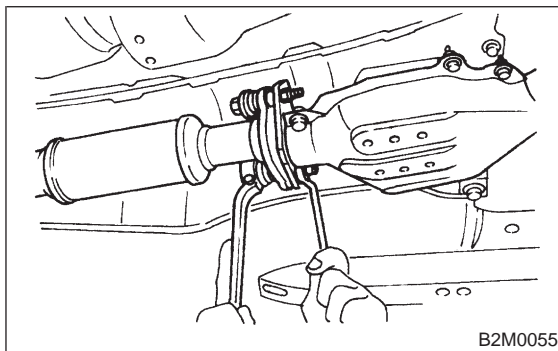
35±5 N·m (3.6±0.5 kg·m, 26.0±3.6 ft·lb)



3) Install center exhaust pipe to rear exhaust pipe.

Tightening torque:

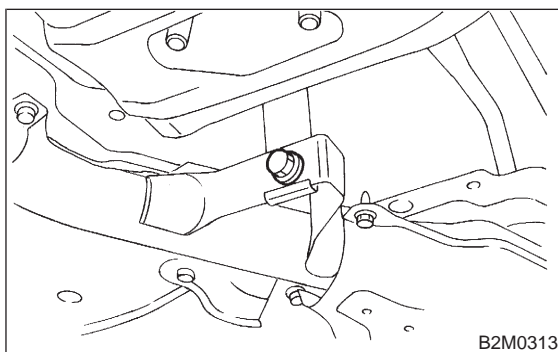
18±5 N·m (1.8±0.5 kg·m, 13.0±3.6 ft·lb)



4) Tighten bolt which holds center exhaust pipe to hanger bracket.

Tightening torque:

35±5 N·m (3.6±0.5 kg·m, 26.0±3.6 ft·lb)

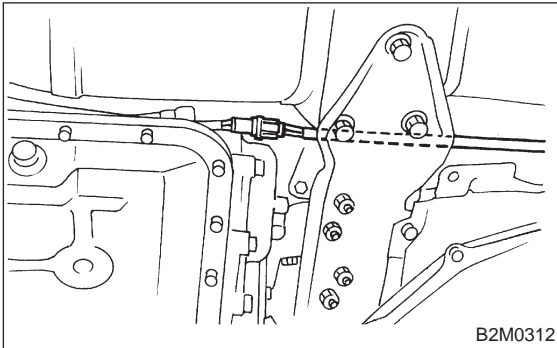


2-1 [W3A1]

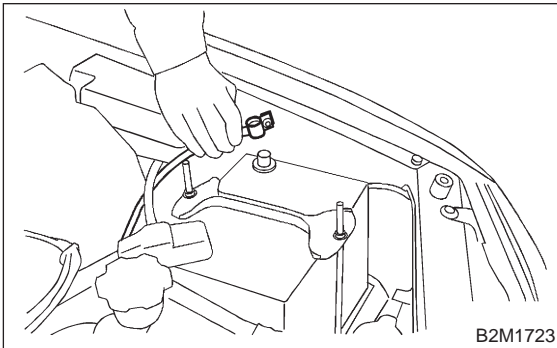
3. Canister

SERVICE PROCEDURE

- 5) Connect rear oxygen sensor connector. (Except California spec. vehicles)



- 6) Lower the vehicle.
- 7) Connect battery ground cable.

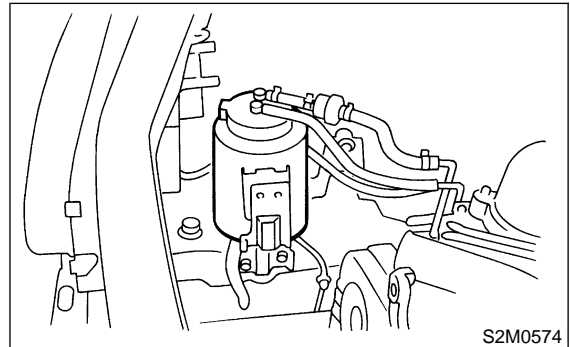


3. Canister

A: REMOVAL AND INSTALLATION

1. 2200 cc FWD AND TAIWAN SPEC. VEHICLES

- 1) Disconnect canister hoses from evaporation pipes.
- 2) Remove canister with bracket.



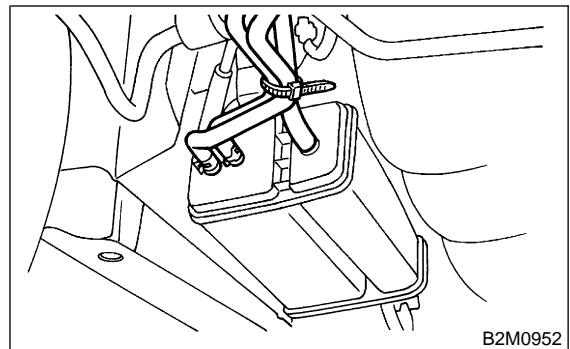
- 3) Installation is in the reverse order of removal.

CAUTION:

Insert air vent hose of canister into the hole on body.

2. 2200 cc AWD EXCEPT TAIWAN SPEC. VEHICLES AND 2500 cc MODEL

- 1) Lift-up the vehicle.
- 2) Disconnect evaporation hoses from canister.



- 3) Remove canister from body.

