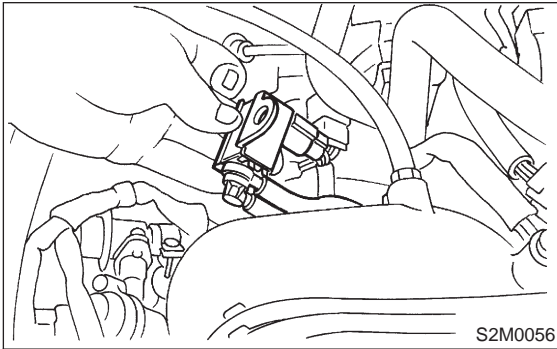


5. EGR Valve (Except 2200 cc MT Vehicles)

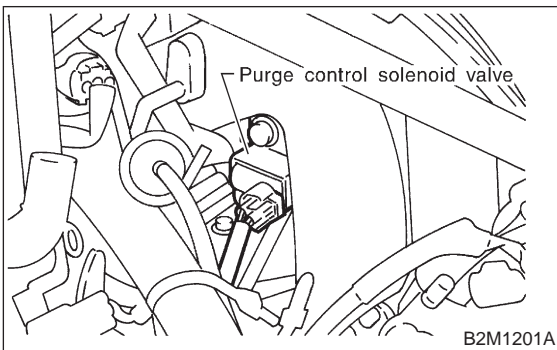
- 4) Take out purge control solenoid valve.
- 5) Disconnect connector from purge control solenoid valve.
- 6) Disconnect vacuum hoses from purge control solenoid valve.



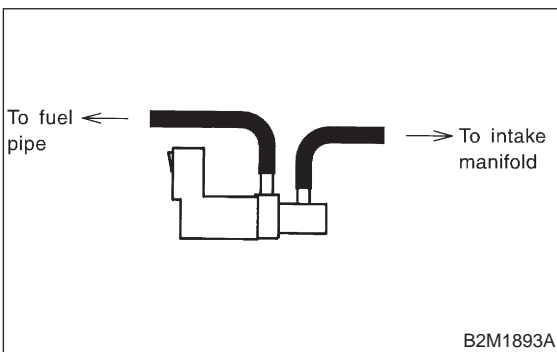
- 7) Installation is in the reverse order of removal.

**Tightening torque:**

**$15.7 \pm 1.5 \text{ N}\cdot\text{m}$  ( $1.6 \pm 0.15 \text{ kg}\cdot\text{m}$ ,  $11.6 \pm 1.1 \text{ ft}\cdot\text{lb}$ )**



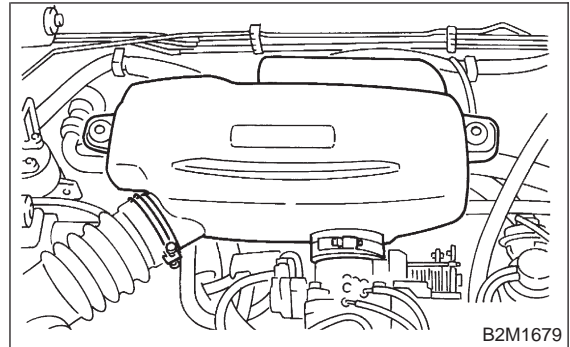
**CAUTION:**  
Carefully connect the evaporation hoses.



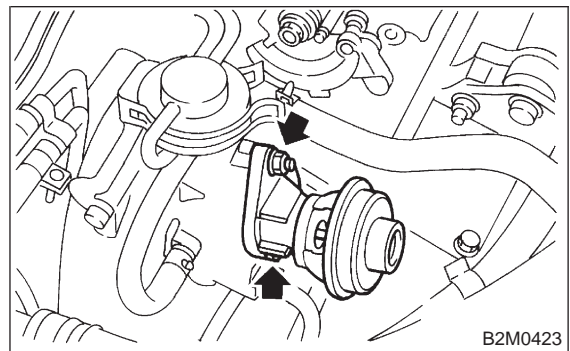
**5. EGR Valve (Except 2200 cc MT Vehicles)**

**A: REMOVAL AND INSTALLATION**

- 1) Remove air intake chamber.



- 2) Disconnect vacuum hose from EGR valve.
- 3) Remove bolts which install EGR valve onto intake manifold.



- 4) Installation is in the reverse order of removal.

**CAUTION:**  
Replace gasket with a new one.

**Tightening torque:**

**$18.6 \pm 1.5 \text{ N}\cdot\text{m}$  ( $1.9 \pm 1.5 \text{ kg}\cdot\text{m}$ ,  $13.7 \pm 1.1 \text{ ft}\cdot\text{lb}$ )**