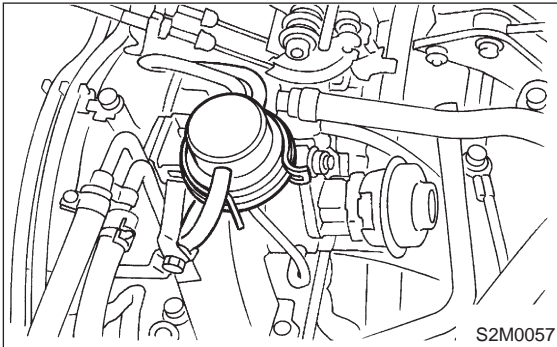


6. Back-Pressure Transducer (BPT) (Except 2200 cc MT Vehicles)

A: REMOVAL AND INSTALLATION

- 1) Disconnect vacuum hoses from BPT.
- 2) Remove BPT from bracket.



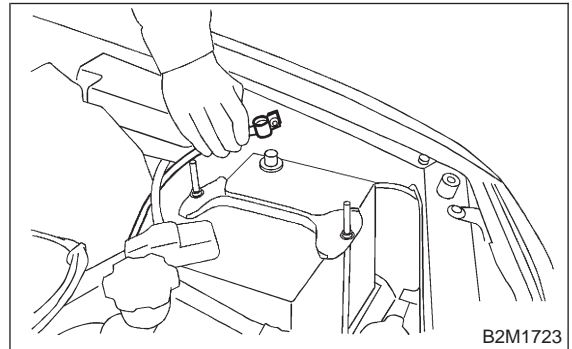
- 3) Installation is in the reverse order of removal.

7. EGR Solenoid Valve (Except 2200 cc MT Vehicles)

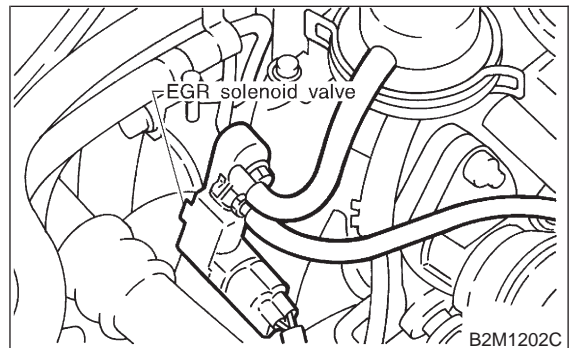
A: REMOVAL AND INSTALLATION

1. 2200 cc AT VEHICLES

- 1) Disconnect battery ground cable.



- 2) Disconnect connector from EGR solenoid valve.
- 3) Disconnect vacuum hoses from EGR solenoid valve.
- 4) Remove bolt which installs EGR solenoid valve onto intake manifold.



- 5) Installation is in the reverse order of removal.

Tightening torque:

15.7 ± 1.5 N·m (1.6 ± 0.15 kg·m, 11.6 ± 1.1 ft·lb)

2. 2500 cc MODEL

- 1) Disconnect battery ground cable.

