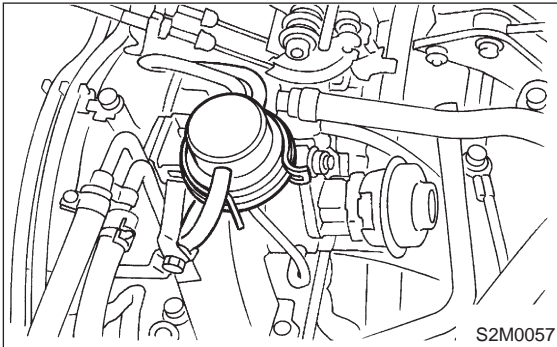


6. Back-Pressure Transducer (BPT) (Except 2200 cc MT Vehicles)

A: REMOVAL AND INSTALLATION

- 1) Disconnect vacuum hoses from BPT.
- 2) Remove BPT from bracket.



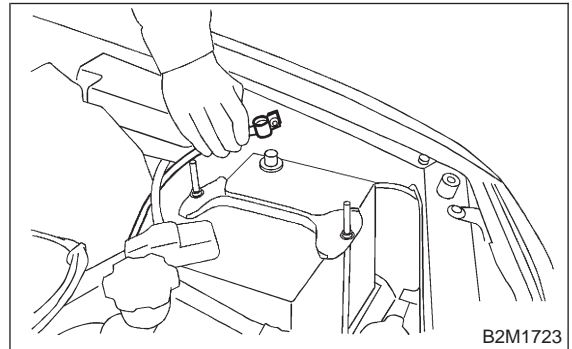
- 3) Installation is in the reverse order of removal.

7. EGR Solenoid Valve (Except 2200 cc MT Vehicles)

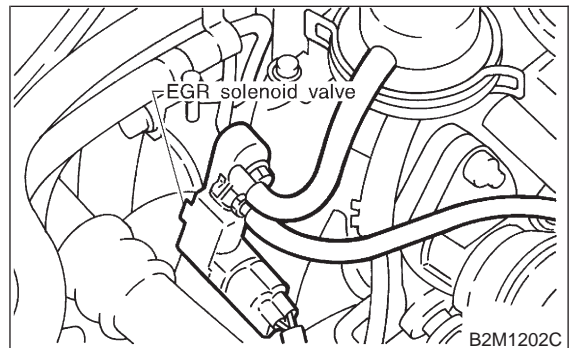
A: REMOVAL AND INSTALLATION

1. 2200 cc AT VEHICLES

- 1) Disconnect battery ground cable.



- 2) Disconnect connector from EGR solenoid valve.
- 3) Disconnect vacuum hoses from EGR solenoid valve.
- 4) Remove bolt which installs EGR solenoid valve onto intake manifold.



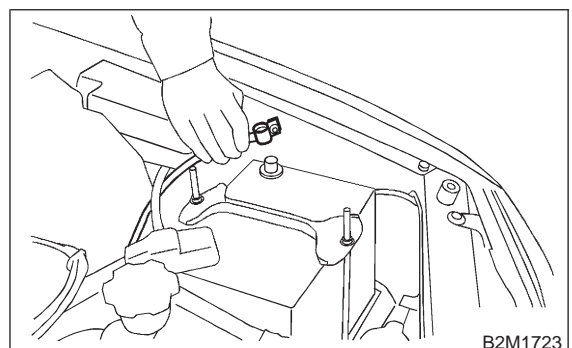
- 5) Installation is in the reverse order of removal.

Tightening torque:

15.7 ± 1.5 N·m (1.6 ± 0.15 kg·m, 11.6 ± 1.1 ft·lb)

2. 2500 cc MODEL

- 1) Disconnect battery ground cable.

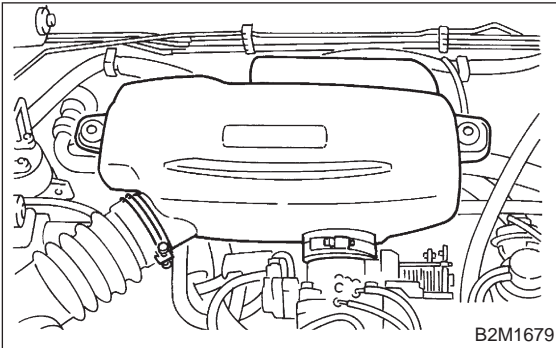


2-1 [W8A0]

SERVICE PROCEDURE

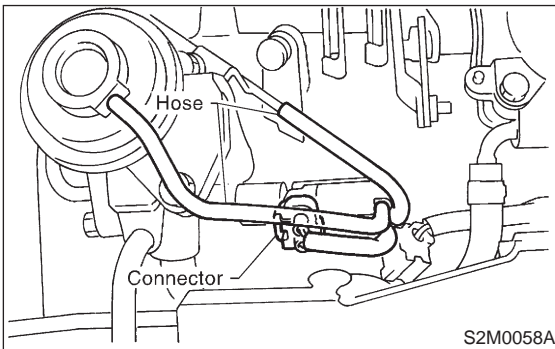
8. Fuel Temperature Sensor (2200 cc AWD except Taiwan Spec. Vehicles and 2500 cc Model)

2) Remove air intake chamber. <Ref. to 2-7 [W18A0].>

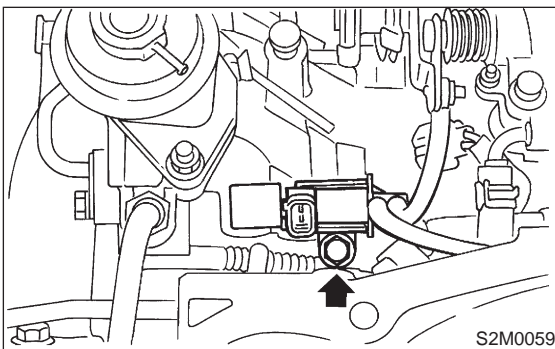


3) Disconnect vacuum hoses from EGR solenoid valve.

4) Disconnect connector from EGR solenoid valve.



5) Remove bolt which installs EGR solenoid valve onto intake manifold.



6) Installation is in the reverse order of removal.

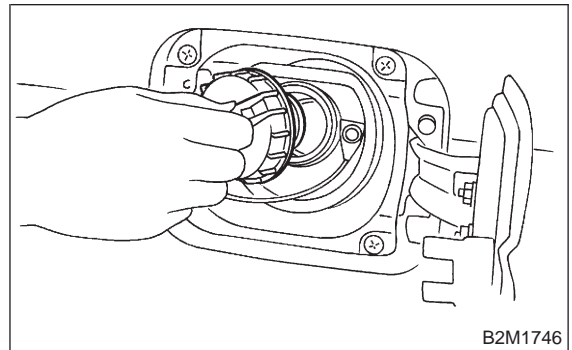
Tightening torque:

$15.7 \pm 1.5 \text{ N}\cdot\text{m}$ ($1.6 \pm 0.15 \text{ kg}\cdot\text{m}$, $11.6 \pm 1.1 \text{ ft}\cdot\text{lb}$)

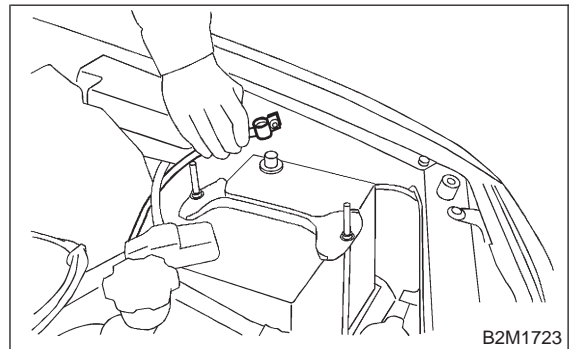
8. Fuel Temperature Sensor (2200 cc AWD except Taiwan Spec. Vehicles and 2500 cc Model)

A: REMOVAL

- 1) Release fuel pressure. <Ref. to 2-8 [W1B0].>
- 2) Remove fuel filler cap.



- 3) Disconnect battery ground cable.



- 4) Disconnect fuel delivery hose (A), return hose (B) and jet pump hose (C).

