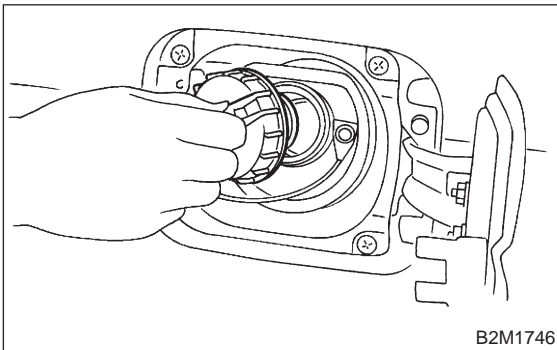


9. Fuel Tank Pressure Sensor (2200 cc AWD except Taiwan Spec. Vehicles and 2500 cc Model)

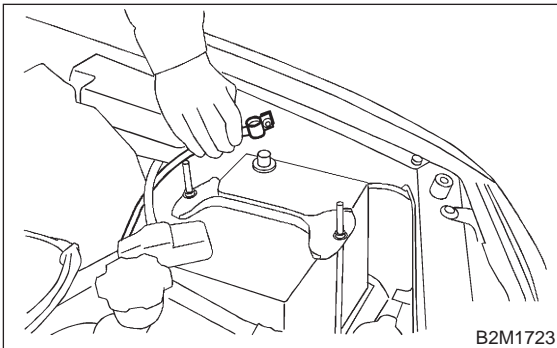
A: REMOVAL AND INSTALLATION

1. 2200 cc AWD EXCEPT TAIWAN SPEC. VEHICLES

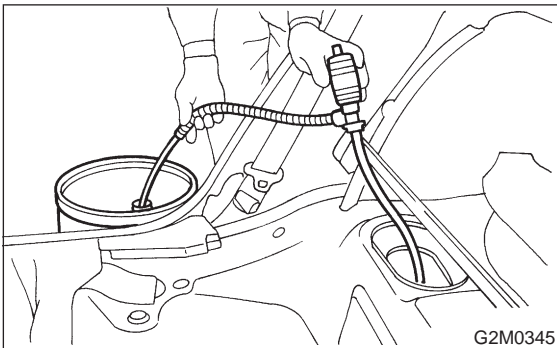
- 1) Release fuel pressure. <Ref. to 2-8 [W1B0].>
- 2) Open fuel flap lid, and remove fuel filler cap.



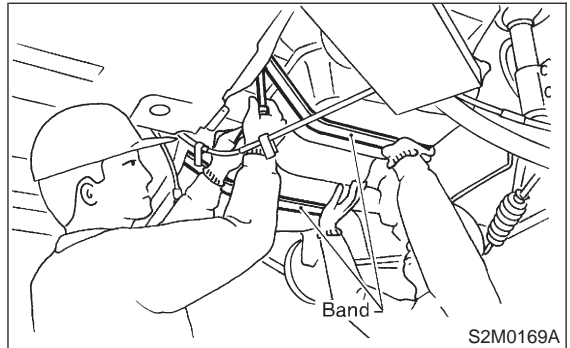
- 3) Disconnect battery ground cable.



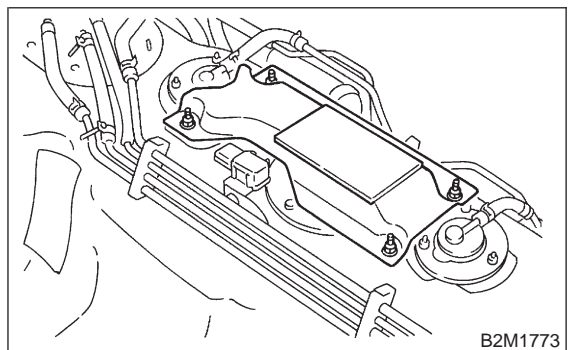
- 4) Drain fuel from fuel tank. <Ref. to 2-8 [W1C0].>



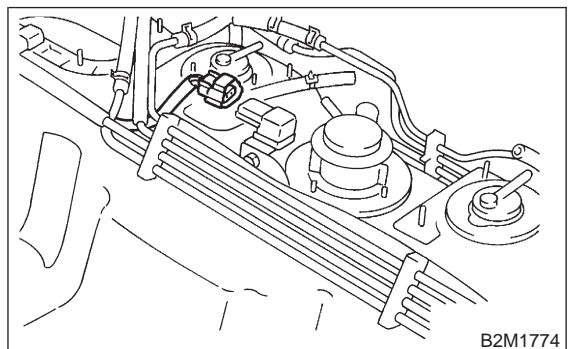
- 5) Remove fuel tank. <Ref. to 2-8 [W2A0].>



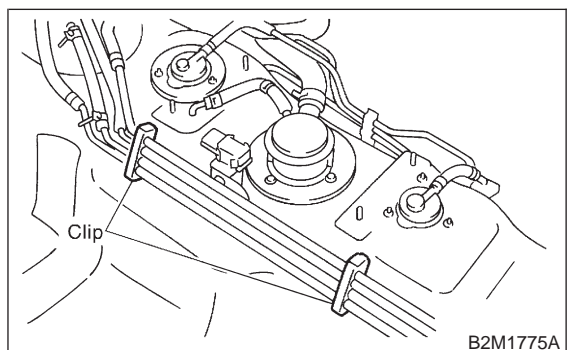
- 6) Remove protector cover.



- 7) Disconnect connector from fuel tank pressure sensor.



- 8) Release clips which hold fuel pipes onto fuel tank.

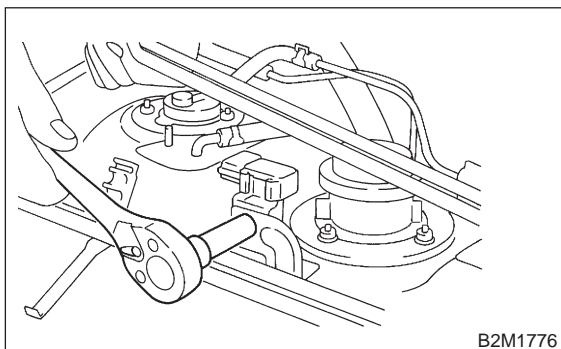


SERVICE PROCEDURE

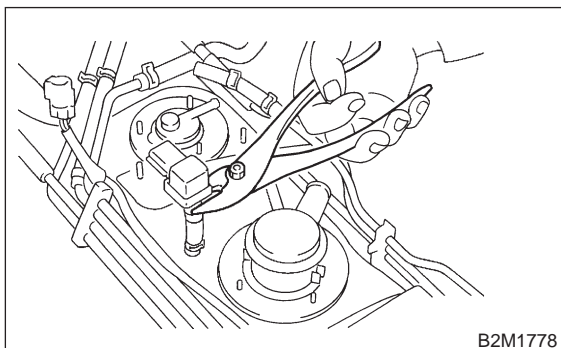
[W9A2] 2-1

9. Fuel Tank Pressure Sensor (2200 cc AWD except Taiwan Spec. Vehicles and 2500 cc Model)

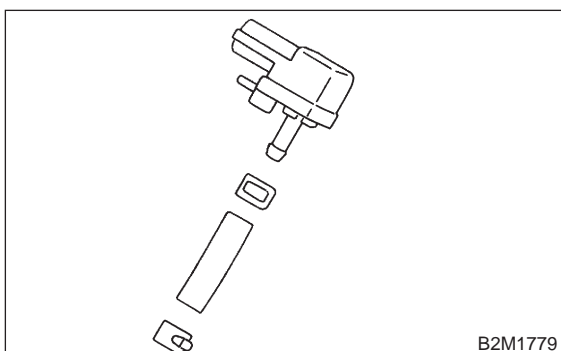
9) Move two fuel pipes to upper side, and remove bolt which install fuel tank pressure sensor to bracket.



10) Move clip, and disconnect pressure hose from fuel tank.



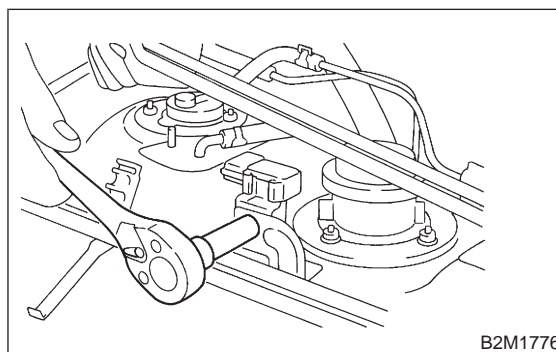
11) Disconnect pressure hose from fuel tank pressure sensor.



12) Installation is in the reverse order of removal.

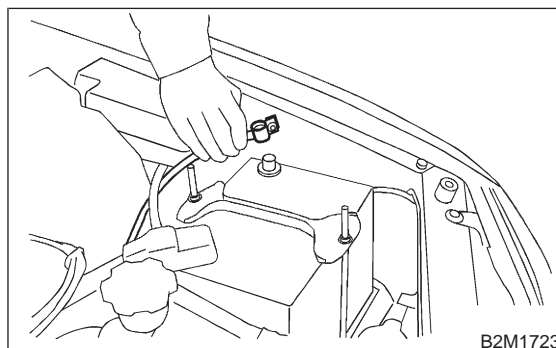
Tightening torque:

7.35 ± 1.96 N·m (0.75 ± 0.20 kg·m, 5.4 ± 1.4 ft·lb)



2. 2500 cc MODEL

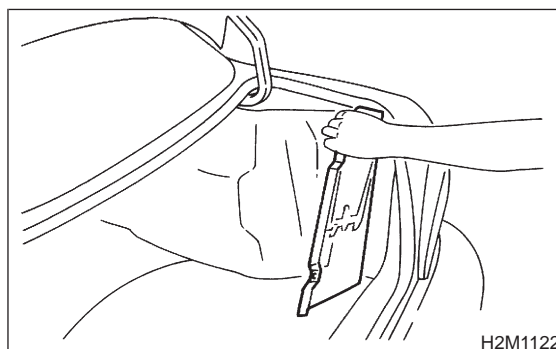
1) Disconnect battery ground cable.



2) Remove trims.

● 4 door model:

Remove right trunk side trim.



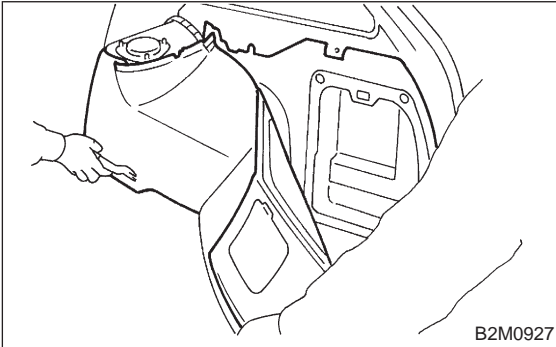
2-1 [W10A1]

SERVICE PROCEDURE

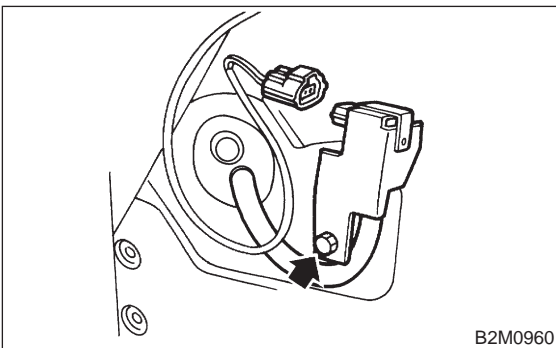
10. Pressure Control Solenoid Valve (2200 cc AWD except Taiwan Spec. Vehicles and 2500 cc Model)

● Wagon model:

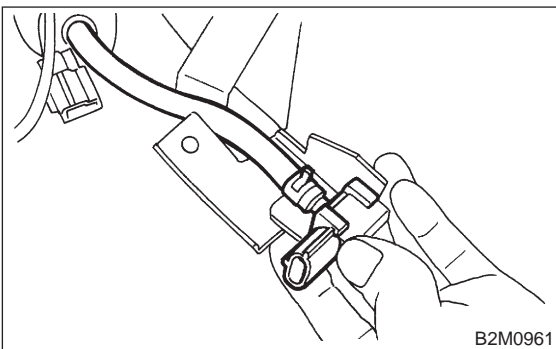
- (1) Remove right rear quarter upper rear trim.
- (2) Remove right strut cap.
- (3) Remove right rear quarter pillar lower trim.



- 3) Disconnect connector from fuel tank pressure sensor.
- 4) Remove bolts which install fuel tank pressure sensor bracket on body.



- 5) Disconnect hose from fuel tank pressure sensor.
- 6) Remove fuel tank pressure sensor from bracket.



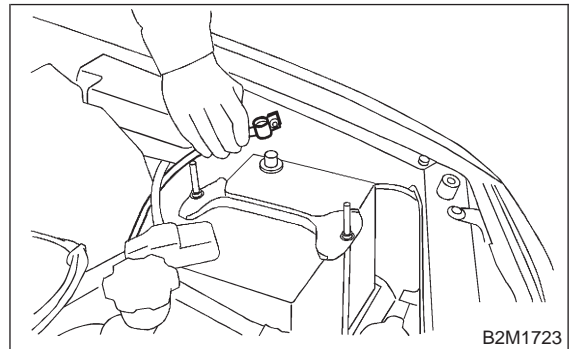
- 7) Installation is in the reverse order of removal.

10. Pressure Control Solenoid Valve (2200 cc AWD except Taiwan Spec. Vehicles and 2500 cc Model)

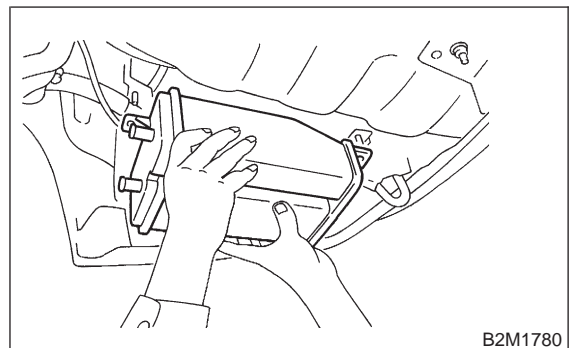
A: REMOVAL AND INSTALLATION

1. 2200 cc AWD EXCEPT TAIWAN SPEC. VEHICLES

- 1) Disconnect battery ground cable.



- 2) Remove canister. <Ref. to 2-1 [W3A2].>



- 3) Remove bolt which installs pressure control solenoid valve holding bracket on body.

