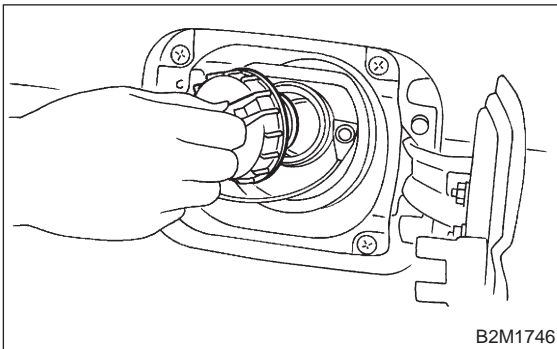


15. Vent Valve (2200 cc AWD except Taiwan Spec. Vehicles)

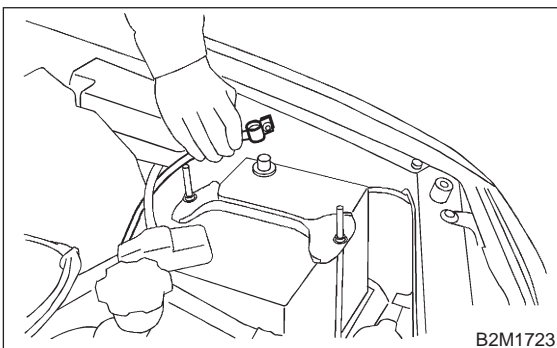
A: REMOVAL AND INSTALLATION

- 1) Release fuel pressure. <Ref. to 2-8 [W1B0].>
- 2) Open fuel flap lid, and remove fuel filler cap.



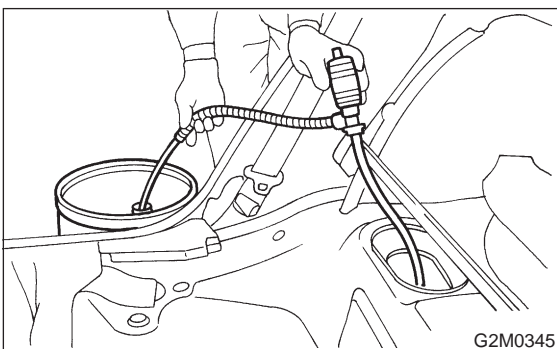
B2M1746

- 3) Disconnect battery ground cable.



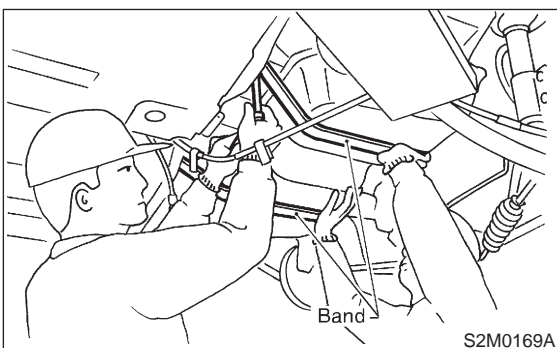
B2M1723

- 4) Drain fuel from fuel tank. <Ref. to 2-8 [W1C0].>



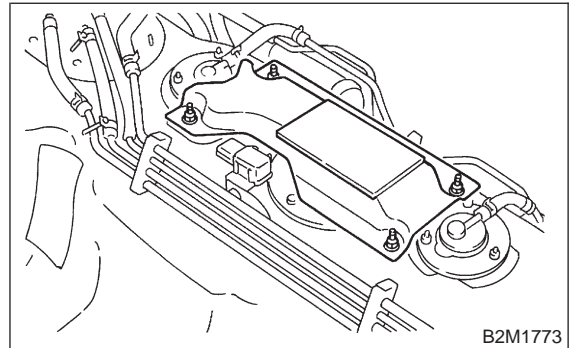
G2M0345

- 5) Remove fuel tank. <Ref. to 2-8 [W2A0].>



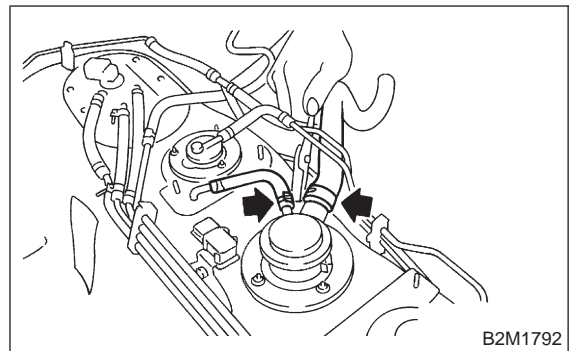
S2M0169A

- 6) Remove protector cover.



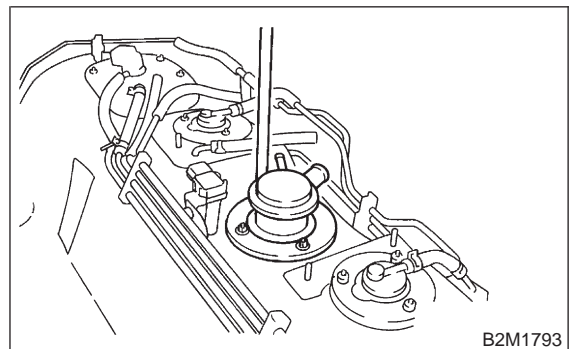
B2M1773

- 7) Move clips, and disconnect hoses from vent valve.



B2M1792

- 8) Remove nuts which install vent valve on fuel tank.



B2M1793

2-1 [W16A0]

SERVICE PROCEDURE

16. Shut Valve (2200 cc AWD except Taiwan Spec. Vehicles)

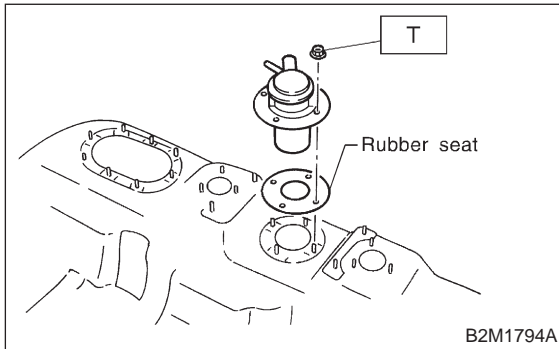
9) Installation is in the reverse order of removal.

CAUTION:

Replace rubber seat with a new one.

Tightening torque:

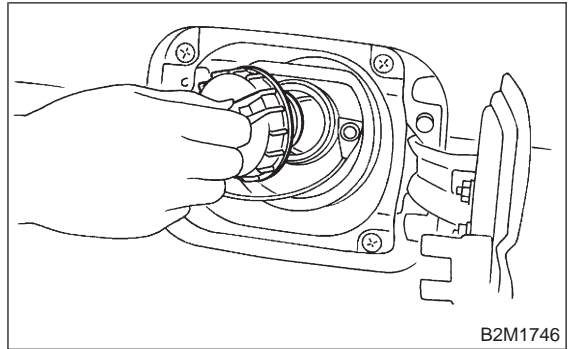
$4.4 \pm 1.5 \text{ N}\cdot\text{m}$ ($0.45 \pm 0.15 \text{ kg}\cdot\text{m}$, $3.3 \pm 1.1 \text{ ft}\cdot\text{lb}$)



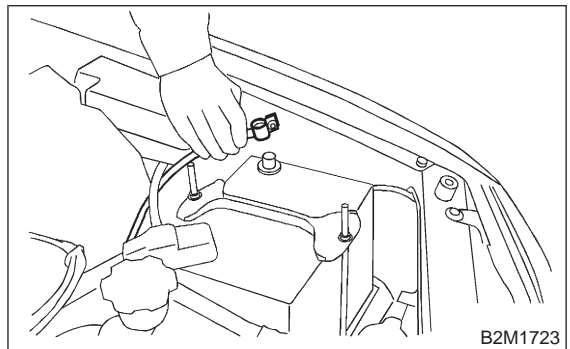
16. Shut Valve (2200 cc AWD except Taiwan Spec. Vehicles)

A: REMOVAL AND INSTALLATION

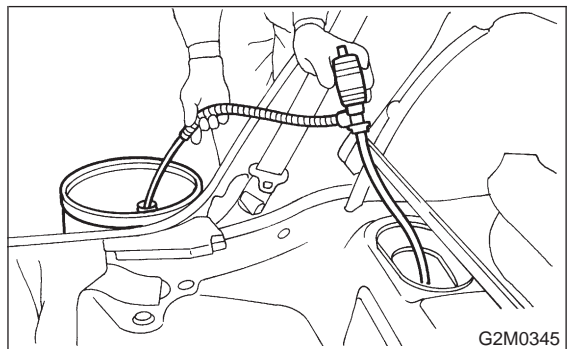
- 1) Release fuel pressure. <Ref. to 2-8 [W1B0].>
- 2) Open fuel flap lid, and remove fuel filler cap.



- 3) Disconnect battery ground cable.



- 4) Drain fuel from fuel tank. <Ref. to 2-8 [W1C0].>



- 5) Remove fuel filler pipe. <Ref. to 2-8 [W3A2].>

