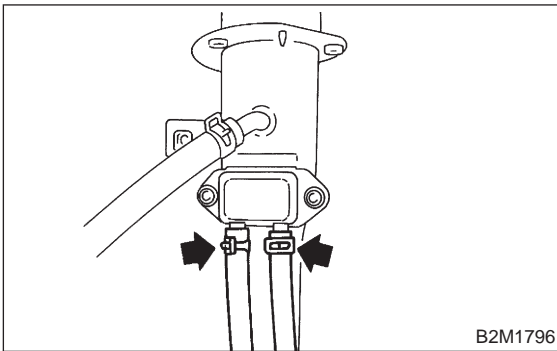
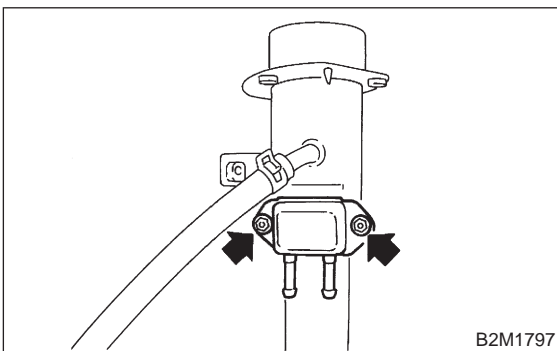


6) Disconnect evaporation hoses from shut valve.



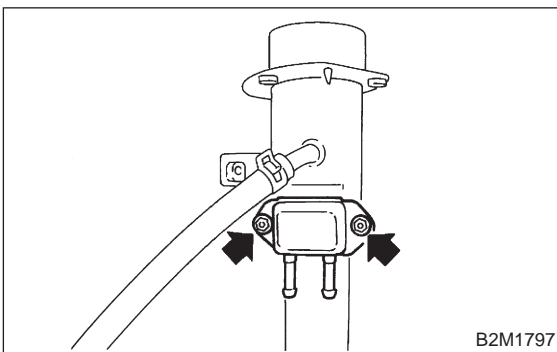
7) Remove shut valve from fuel filler pipe.



8) Installation is in the reverse order of removal.

**Tightening torque:**

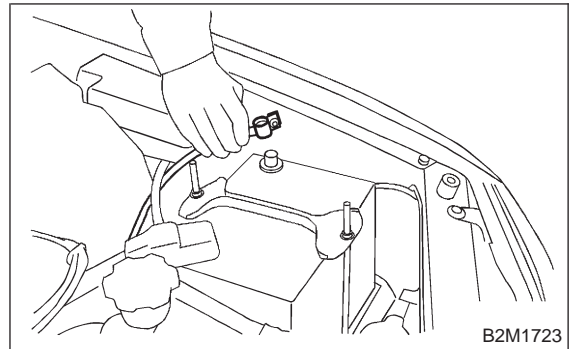
**$4.4 \pm 1.5 \text{ N}\cdot\text{m}$  ( $0.45 \pm 0.15 \text{ kg}\cdot\text{m}$ ,  $3.3 \pm 1.1 \text{ ft}\cdot\text{lb}$ )**



## 17. Drain Valve (2200 cc AWD except Taiwan Spec. Vehicles)

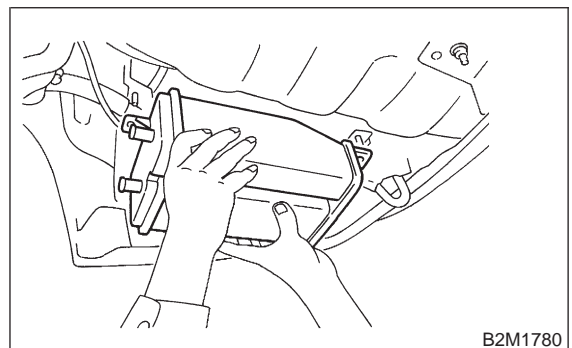
### A: REMOVAL AND INSTALLATION

1) Disconnect battery ground cable.

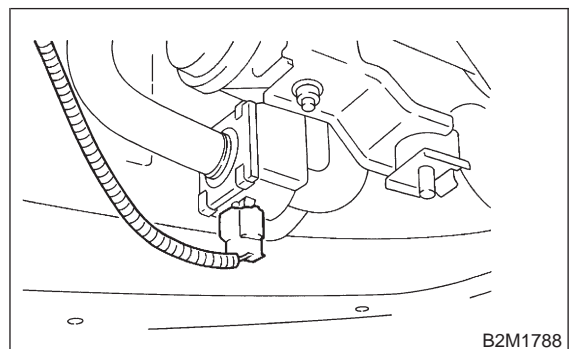


2) Lift-up the vehicle.

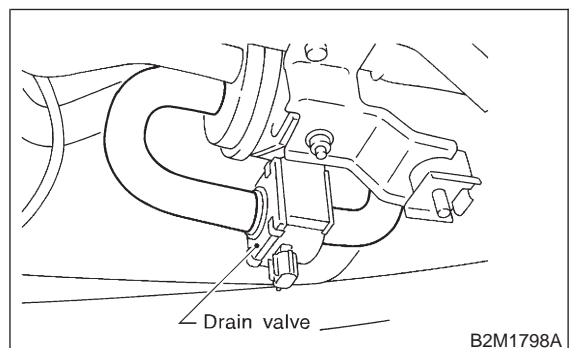
3) Remove canister. <Ref. to 2-1 [W3A2].>



4) Disconnect connector from drain valve.



5) Disconnect evaporation hoses from drain valve.

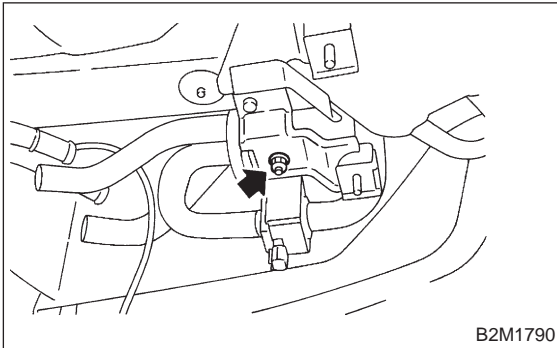


## 2-1 [W17A0]

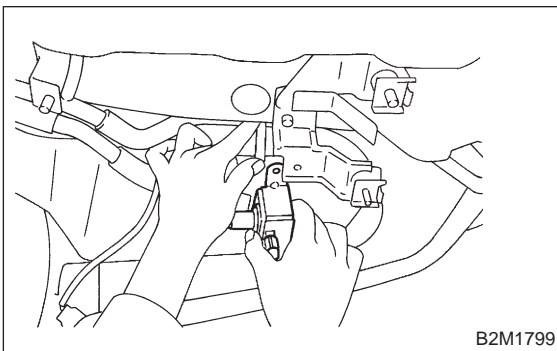
## SERVICE PROCEDURE

### 17. Drain Valve (2200 cc AWD except Taiwan Spec. Vehicles)

6) Remove bolt which installs air filter and drain valve brackets on body.



7) Move air filter to upper side, and remove drain valve with bracket.



8) Installation is in the reverse order of removal.

**Tightening torque:**

**$22.5 \pm 7$  N·m ( $2.3 \pm 0.7$  kg·m,  $16.6 \pm 5.1$  ft·lb)**

