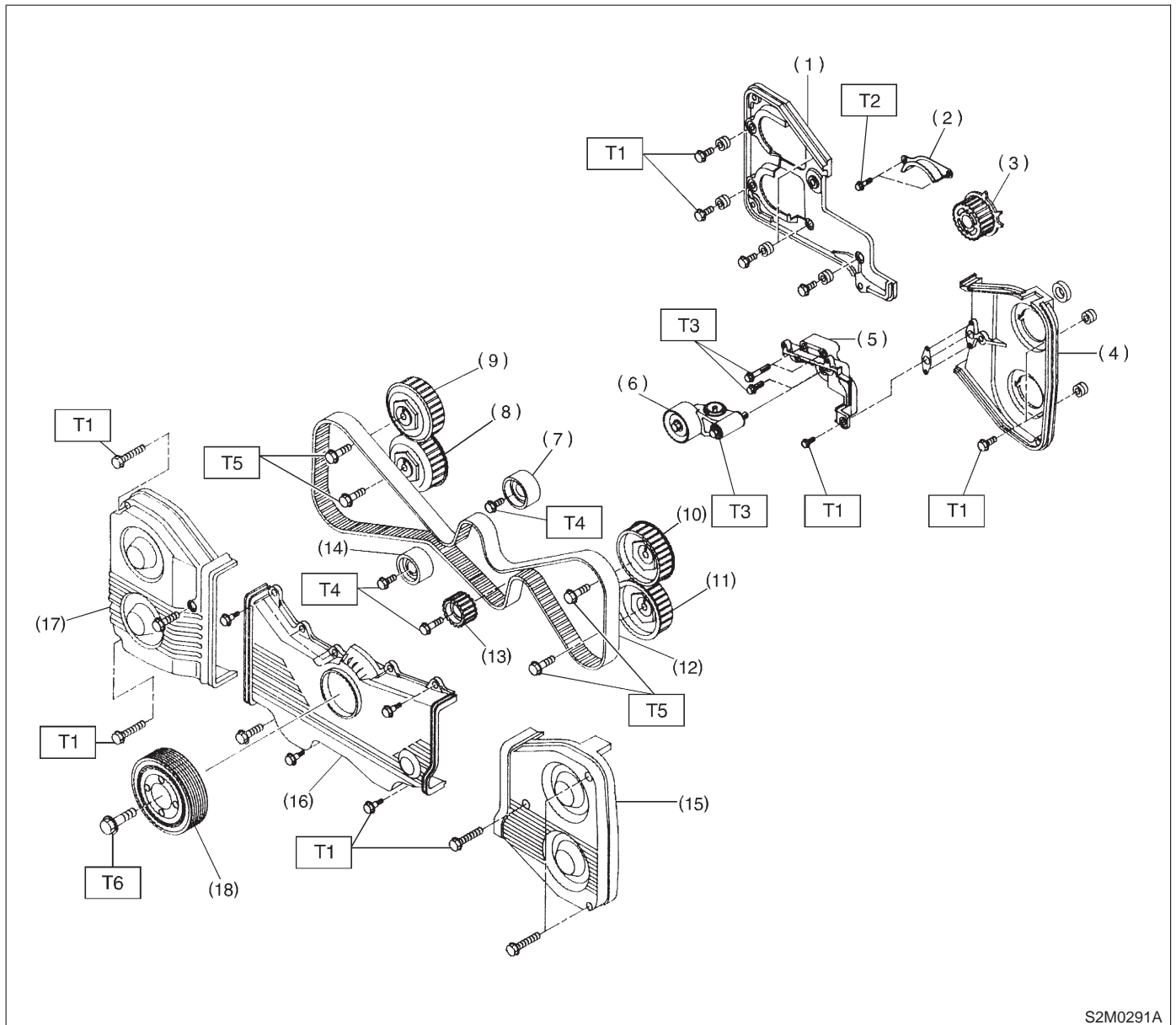


1. Timing Belt



S2M0291A

- (1) Right-hand belt cover No. 2
- (2) Timing belt guide (MT vehicles only)
- (3) Crankshaft sprocket
- (4) Left-hand belt cover No. 2
- (5) Tensioner bracket
- (6) Automatic belt tension adjuster ASSY
- (7) Belt idler
- (8) Right-hand exhaust camshaft sprocket

- (9) Right-hand intake camshaft sprocket
- (10) Left-hand intake camshaft sprocket
- (11) Left-hand exhaust camshaft sprocket
- (12) Timing belt
- (13) Belt idler No. 2
- (14) Belt idler
- (15) Left-hand belt cover
- (16) Front belt cover

- (17) Right-hand belt cover
- (18) Crankshaft pulley

**Tightening torque: N-m (kg-m, ft-lb)**

**T1: 4.9±0.5 (0.5±0.05, 3.6±0.4)**

**T2: 9.8±1.0 (1.0±0.1, 7.2±0.7)**

**T3: 25±3 (2.5±0.3, 18.1±2.2)**

**T4: 39±4 (4.0±0.4, 28.9±2.9)**

**T5: 78±5 (8.0±0.5, 57.9±3.6)**

**T6: 177±10 (18.0±1.0, 130±7)**