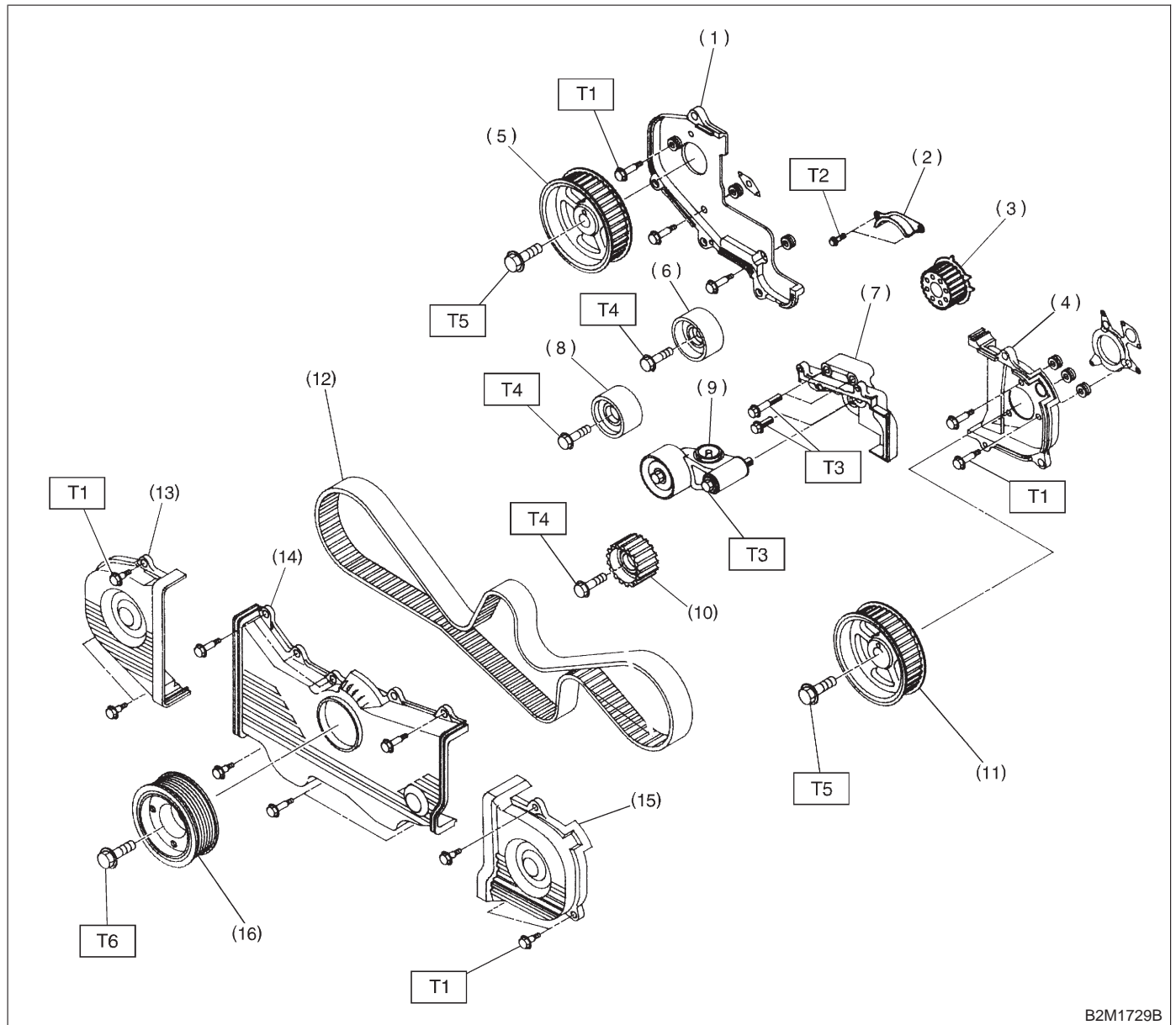


1. Timing Belt



B2M1729B

- | | |
|--|------------------------------|
| (1) Belt cover No. 2 (RH) | (10) Belt idler No. 2 |
| (2) Timing belt guide (MT vehicles only) | (11) Camshaft sprocket No. 2 |
| (3) Crankshaft sprocket | (12) Timing belt |
| (4) Belt cover No. 2 (LH) | (13) Belt cover (RH) |
| (5) Camshaft sprocket No. 1 | (14) Front belt cover |
| (6) Belt idler (No. 1) | (15) Belt cover (LH) |
| (7) Tensioner bracket | (16) Crankshaft pulley |
| (8) Belt idler (No. 2) | |
| (9) Automatic belt tensioner ASSY | |

Tightening torque: N-m (kg-m, ft-lb)

T1: 5±1 (0.5±0.1, 3.6±0.7)

T2: 9.8±1.0 (1.0±0.1, 7.2±0.7)

T3: 25±3 (2.5±0.3, 18.1±2.2)

T4: 39±4 (4.0±0.4, 28.9±2.9)

T5: 78±5 (8.0±0.5, 57.9±3.6)

T6: 127⁺¹⁰/₋₅ (13.0^{+1.0}/_{-0.5}, 94^{+7.2}/_{-3.6})