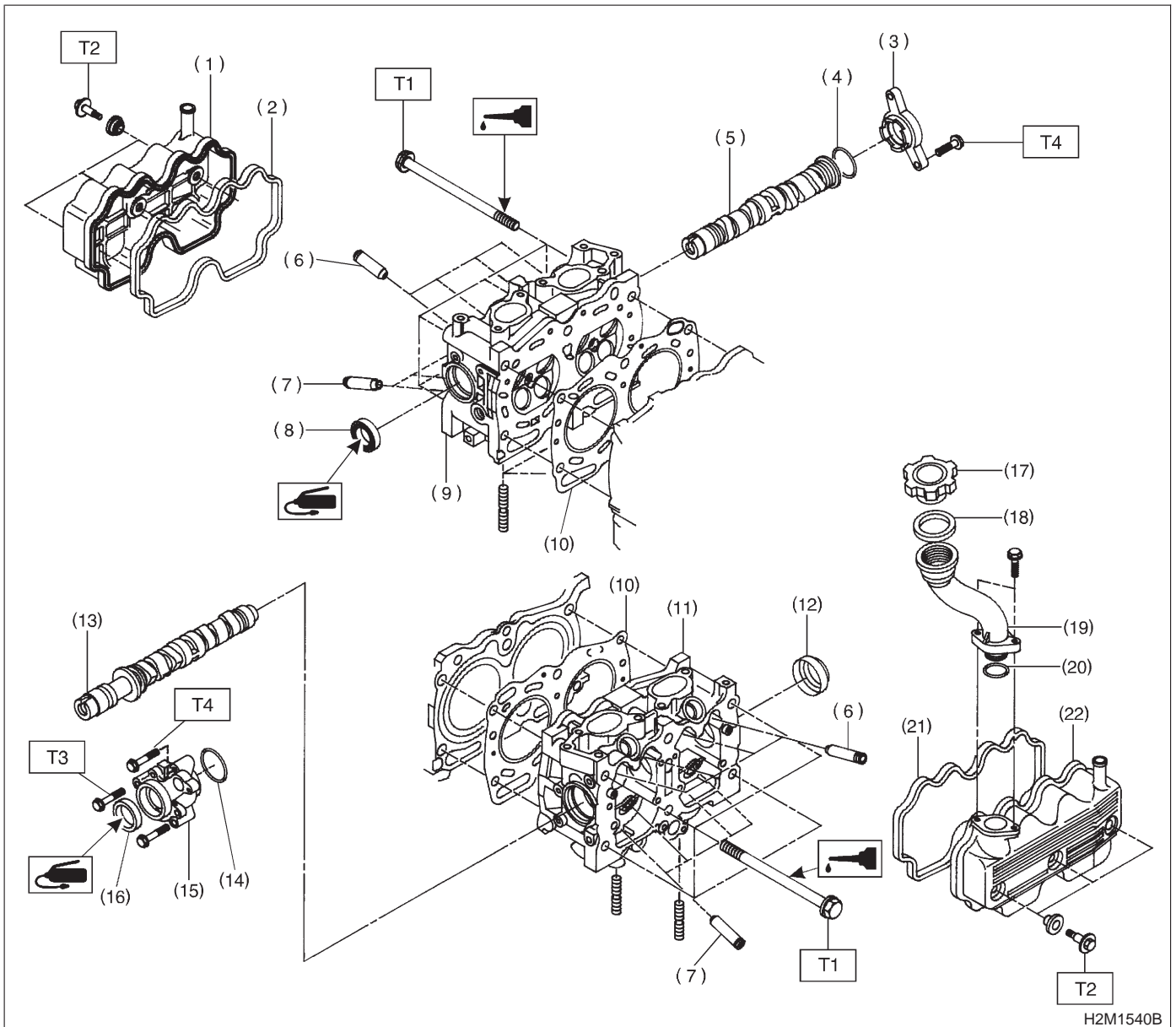


2. Cylinder Head and Camshaft



- (1) Rocker cover (RH)
- (2) Rocker cover gasket
- (3) Camshaft support (RH)
- (4) O-ring
- (5) Camshaft (RH)
- (6) Intake valve guide
- (7) Exhaust valve guide
- (8) Oil seal
- (9) Cylinder head (RH)
- (10) Cylinder head gasket

- (11) Cylinder head (LH)
- (12) Plug
- (13) Camshaft (LH)
- (14) O-ring
- (15) Camshaft support (LH)
- (16) Oil seal
- (17) Oil filler cap
- (18) Gasket
- (19) Oil filler pipe
- (20) O-ring

- (21) Rocker cover gasket
- (22) Rocker cover (LH)

**Tightening torque: N-m (kg-m, ft-lb)**

**T1: Refer to 2-3a [W5E1].**

**T2: 5±1 (0.5±0.1, 3.6±0.7)**

**T3: 10 (1.0, 7)**

**T4: 16 (1.6, 12)**