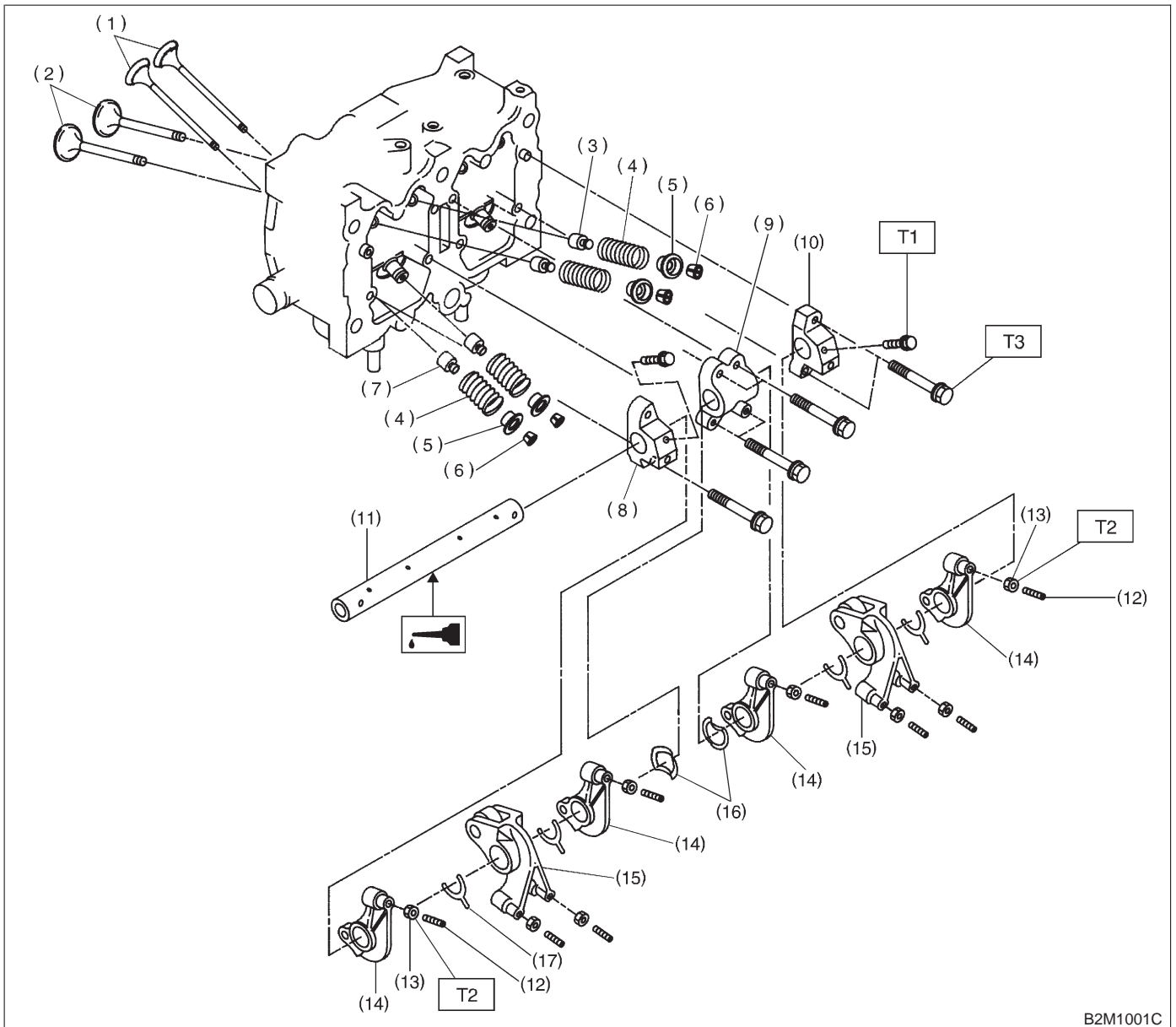


3. Cylinder Head and Valve Assembly



B2M1001C

- | | |
|----------------------------|--------------------------------|
| (1) Exhaust valve | (9) Rocker shaft support |
| (2) Intake valve | (10) Rocker shaft support |
| (3) Intake valve oil seal | (11) Rocker shaft |
| (4) Valve spring | (12) Valve rocker adjust screw |
| (5) Retainer | (13) Valve rocker nut |
| (6) Retainer key | (14) Intake valve rocker arm |
| (7) Exhaust valve oil seal | (15) Exhaust valve rocker arm |
| (8) Rocker shaft support | (16) Spring |

- (17) Plate

Tightening torque: N-m (kg-m, ft-lb)

T1: 5±1 (0.5±0.1, 3.6±0.7)

T2: 10±1 (1.0±0.1, 7.2±0.7)

T3: 12±1 (1.2±0.1, 8.7±0.7)