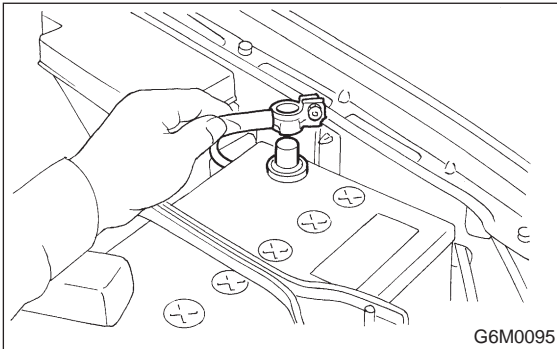


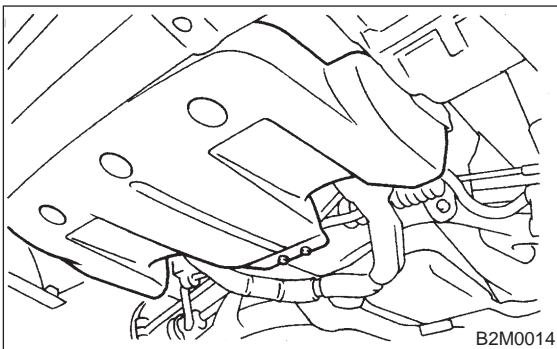
## 6. Radiator Main Fan and Fan Motor

### A: REMOVAL AND INSTALLATION

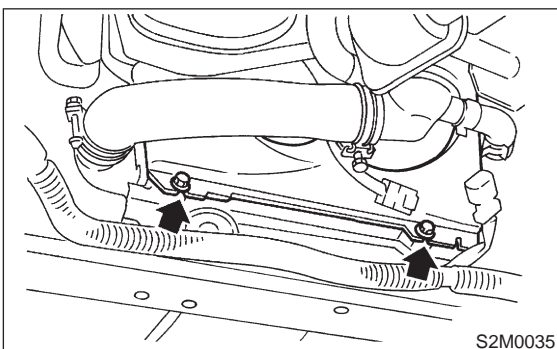
- 1) Disconnect battery ground cable.



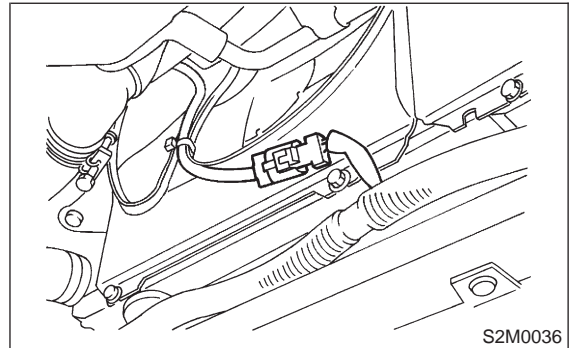
- 2) Lift-up the vehicle.  
3) Remove under cover.



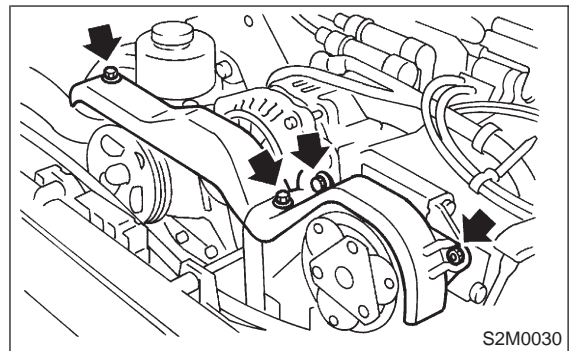
- 4) Loosen bolts which install the lower side of radiator main fan shroud.



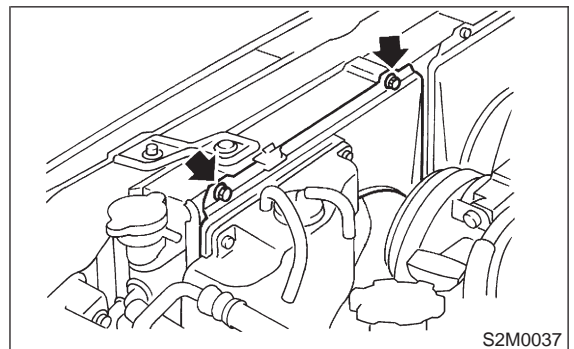
- 5) Disconnect connector of main fan motor.



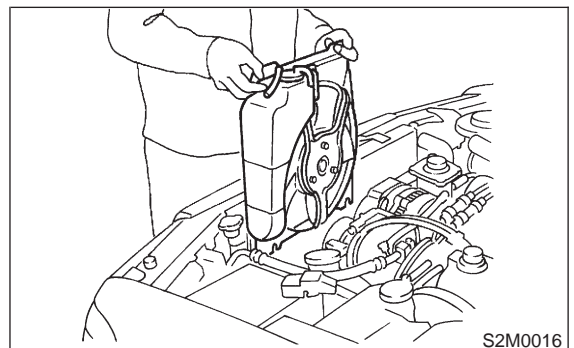
- 6) Lower the vehicle.  
7) Remove V-belt covers.



- 8) Remove bolts which hold main fan shroud to radiator.



- 9) Remove radiator main fan motor assembly.



## 2-5 [W6B0]

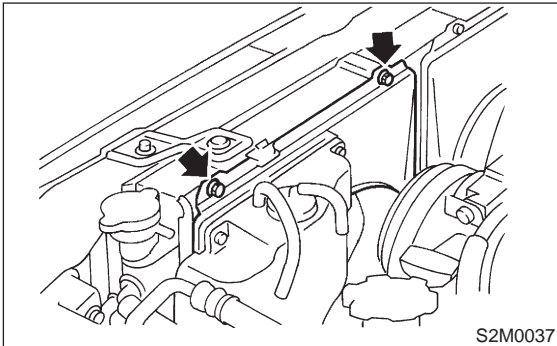
# SERVICE PROCEDURE

## 6. Radiator Main Fan and Fan Motor

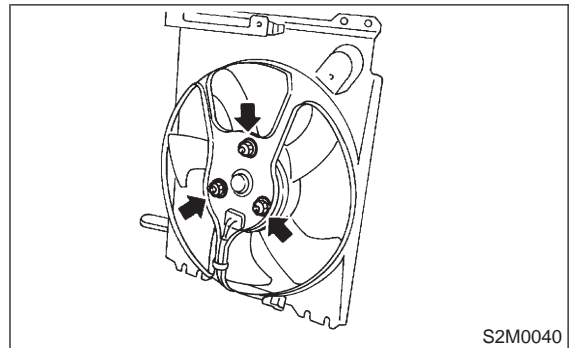
10) Installation is in the reverse order of removal.

**Tightening torque:**

**$7.4 \pm 2.0 \text{ N}\cdot\text{m}$  ( $0.75 \pm 0.20 \text{ kg}\cdot\text{m}$ ,  $5.4 \pm 1.4 \text{ ft}\cdot\text{lb}$ )**

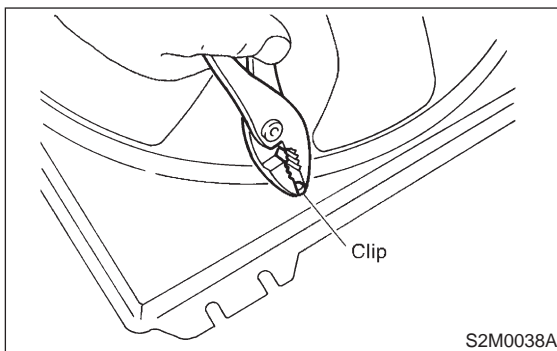


3) Remove bolts which install fan motor onto shroud.



## B: DISASSEMBLY AND ASSEMBLY

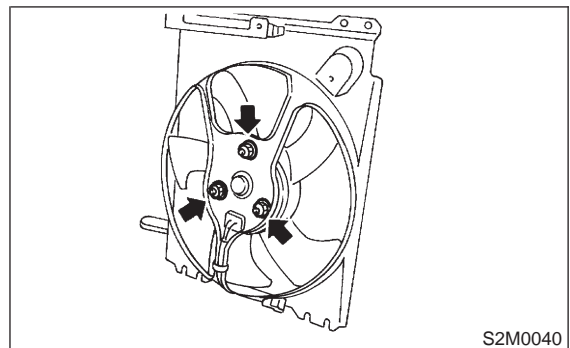
1) Remove clip which holds motor harness onto shroud.



4) Installation is in the reverse order of removal.

**Tightening torque:**

**$4.4 \pm 0.5 \text{ N}\cdot\text{m}$  ( $0.45 \pm 0.05 \text{ kg}\cdot\text{m}$ ,  $3.3 \pm 0.4 \text{ ft}\cdot\text{lb}$ )**



2) Cut band which holds motor harness on shroud.

