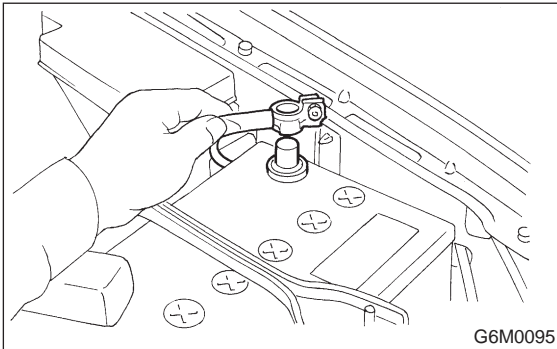


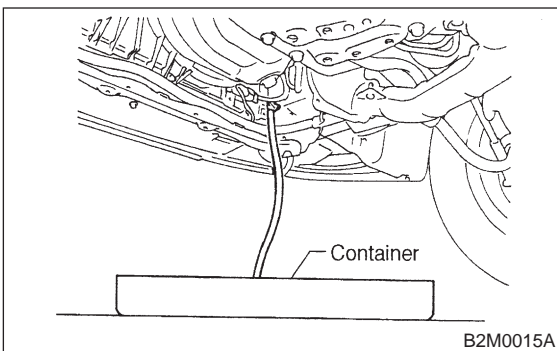
## 8. Water Pipe

### A: REMOVAL

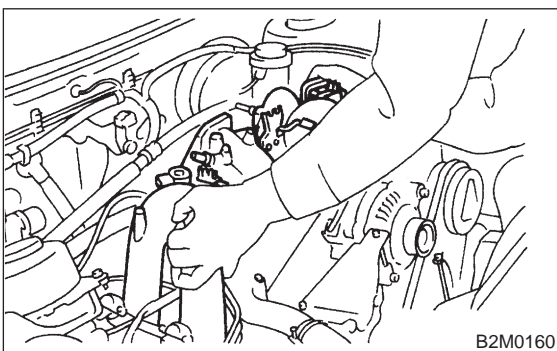
- 1) Release fuel pressure.  
<Ref. to 2-8 [W1B0].>
- 2) Disconnect ground cable from the battery.



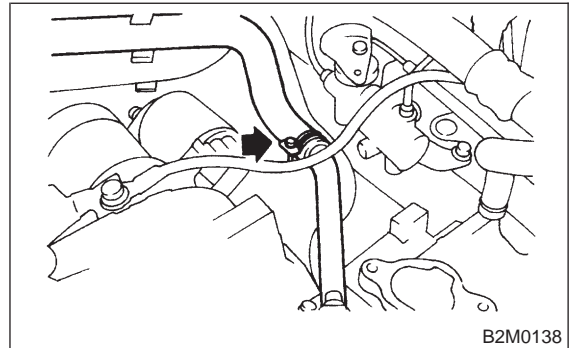
- 3) Drain engine coolant completely.  
<Ref. to 2-5 [W1A0].>



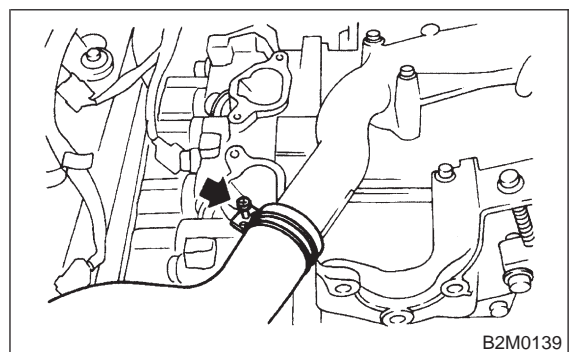
- 4) Remove intake manifold.  
<Ref. to 2-7 [W4A0].>



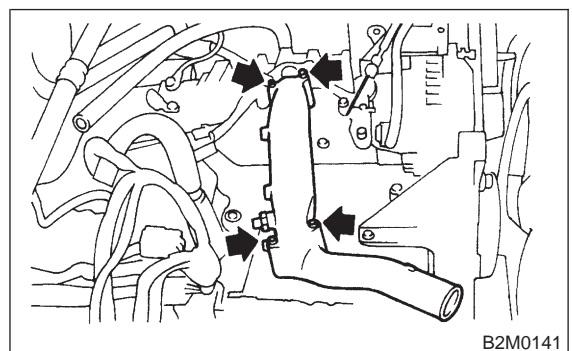
- 5) Disconnect heater inlet hose.



- 6) Disconnect radiator inlet hose from water pipe.



- 7) Remove bolts which install water pipe on cylinder block.



**B: INSTALLATION**

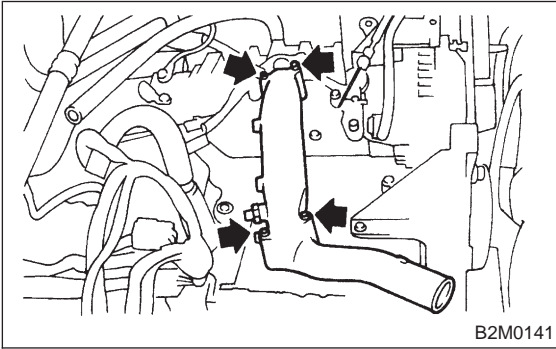
1) Install water pipe on cylinder block.

**Tightening torque:**

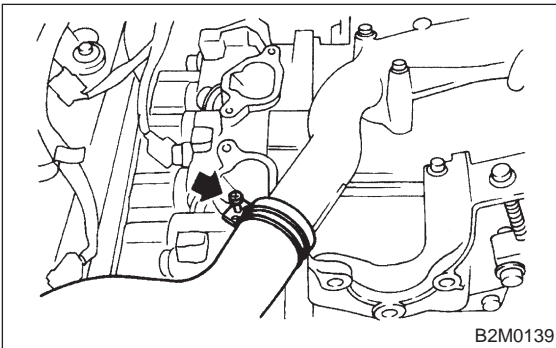
**$6.4 \pm 0.5 \text{ N}\cdot\text{m}$  ( $0.65 \pm 0.05 \text{ kg}\cdot\text{m}$ ,  $4.7 \pm 0.4 \text{ ft}\cdot\text{lb}$ )**

**CAUTION:**

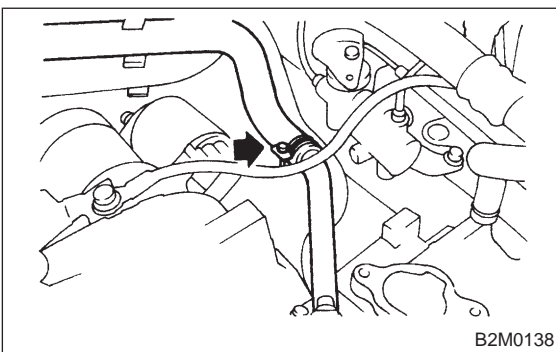
**Use a new O-ring.**



2) Connect radiator inlet hose.



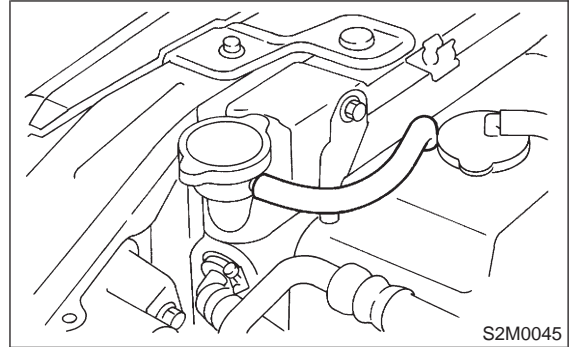
3) Connect heater inlet hose.



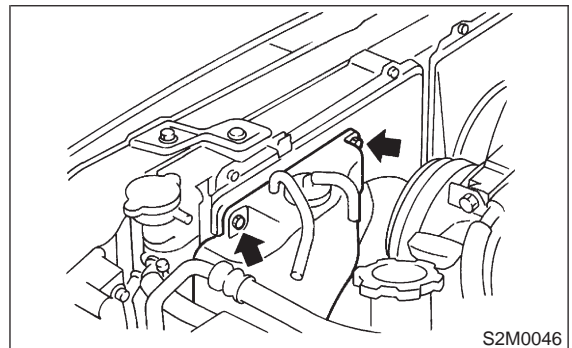
**9. Reservoir Tank**

**A: REMOVAL AND INSTALLATION**

1) Disconnect over flow hose from radiator filler neck position.



2) Remove bolts which install reservoir tank onto radiator main fan shroud.



3) Remove reservoir tank.

