

B: INSTALLATION

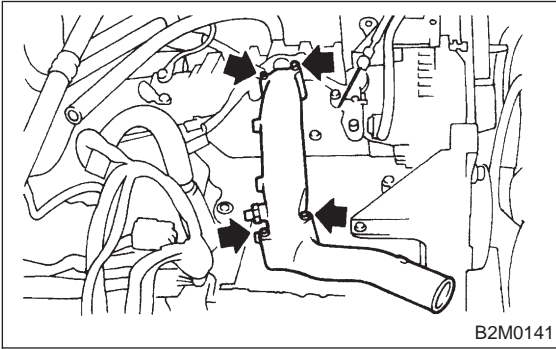
1) Install water pipe on cylinder block.

Tightening torque:

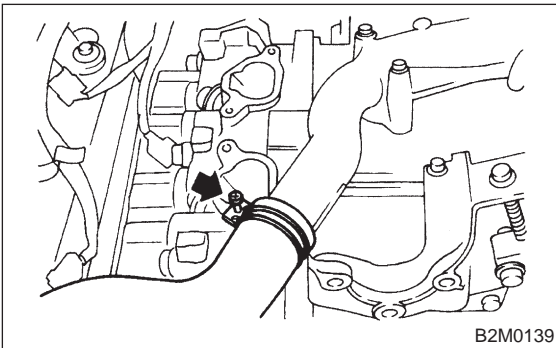
$6.4 \pm 0.5 \text{ N}\cdot\text{m}$ ($0.65 \pm 0.05 \text{ kg}\cdot\text{m}$, $4.7 \pm 0.4 \text{ ft}\cdot\text{lb}$)

CAUTION:

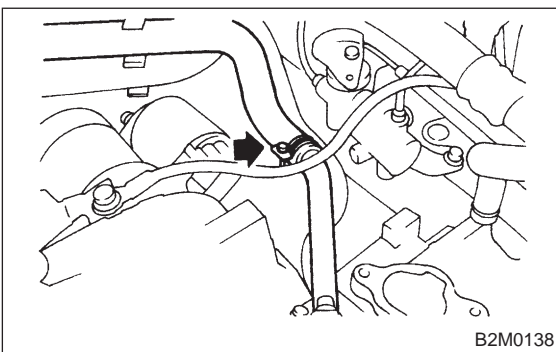
Use a new O-ring.



2) Connect radiator inlet hose.



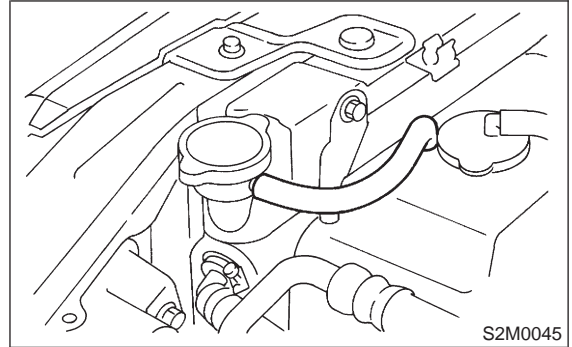
3) Connect heater inlet hose.



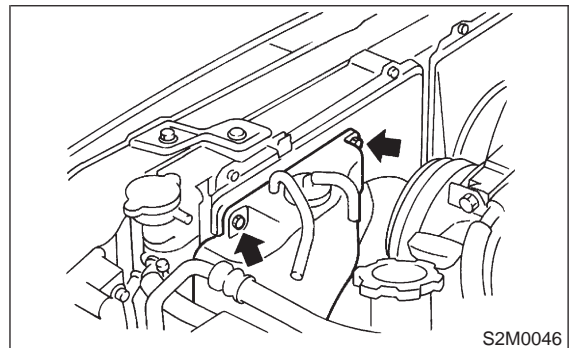
9. Reservoir Tank

A: REMOVAL AND INSTALLATION

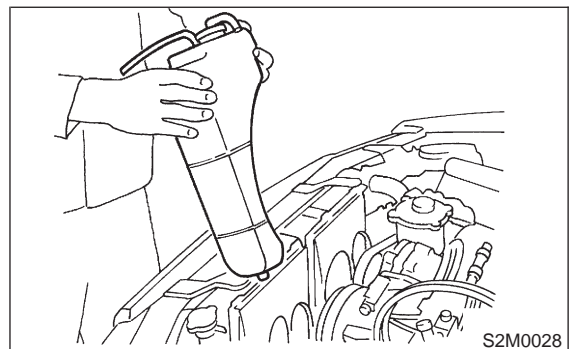
1) Disconnect over flow hose from radiator filler neck position.



2) Remove bolts which install reservoir tank onto radiator main fan shroud.



3) Remove reservoir tank.



4) Installation is in the reverse order of removal.

Tightening torque:

$7.4 \pm 2.0 \text{ N}\cdot\text{m}$ ($0.75 \pm 0.20 \text{ kg}\cdot\text{m}$, $5.4 \pm 1.4 \text{ ft}\cdot\text{lb}$)

