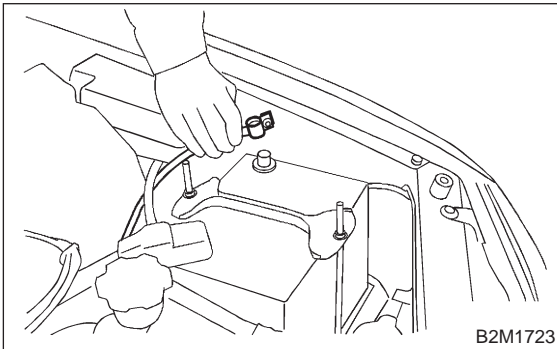


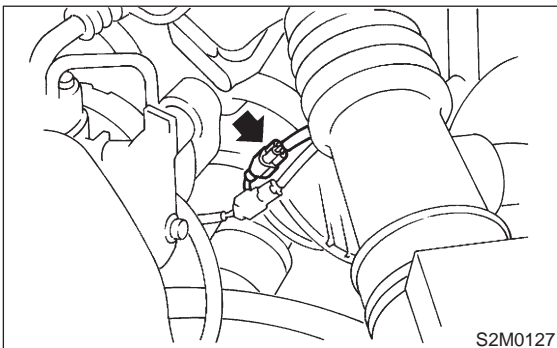
## 1. Front Exhaust Pipe

### A: REMOVAL

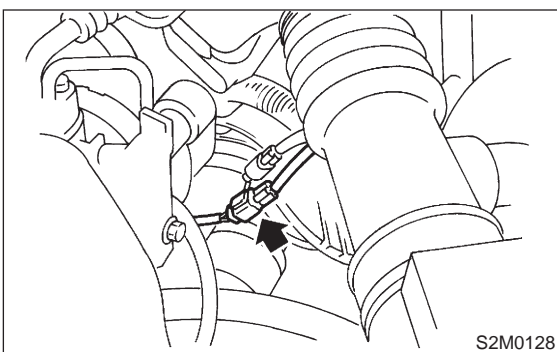
1) Disconnect battery ground cable.



2) Disconnect front oxygen sensor connector.

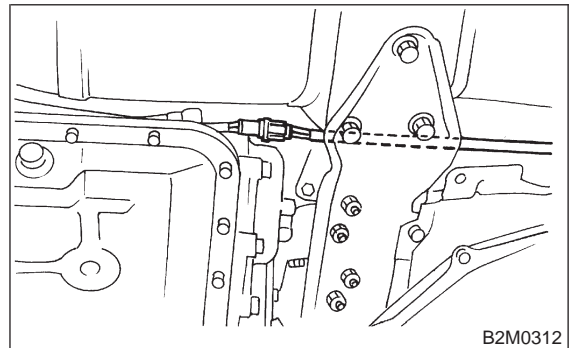


3) Disconnect rear oxygen sensor connector.  
(California spec. vehicles)

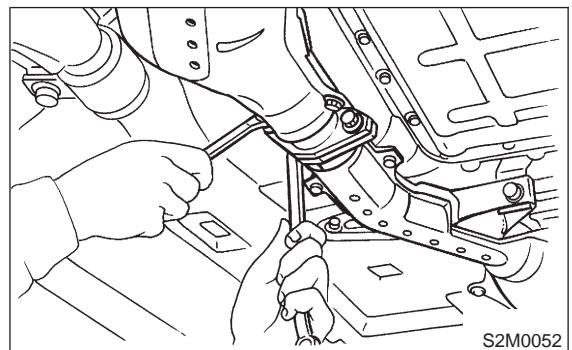


4) Lift-up the vehicle.

5) Disconnect rear oxygen sensor connector.  
(Except California spec. vehicles)



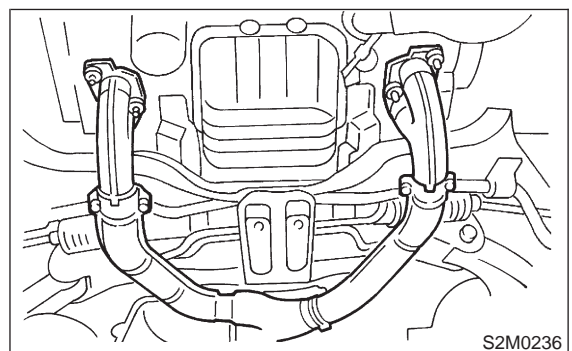
6) Separate center exhaust pipe from front exhaust pipe.



7) Remove bolts which hold front exhaust pipe onto cylinder heads.

**CAUTION:**

**Be careful not to pull down front exhaust pipe and center exhaust pipe.**

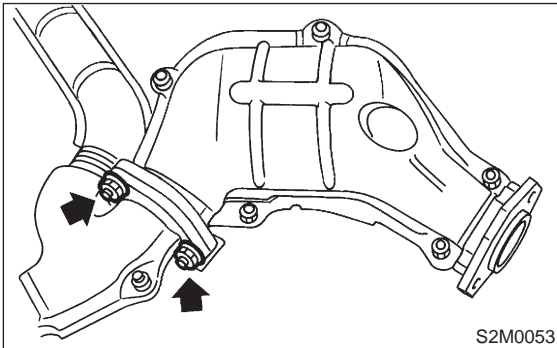


## 2-9 [W1B0]

# SERVICE PROCEDURE

### 1. Front Exhaust Pipe

8) Separate front exhaust pipe from front catalytic converter.



## B: INSTALLATION

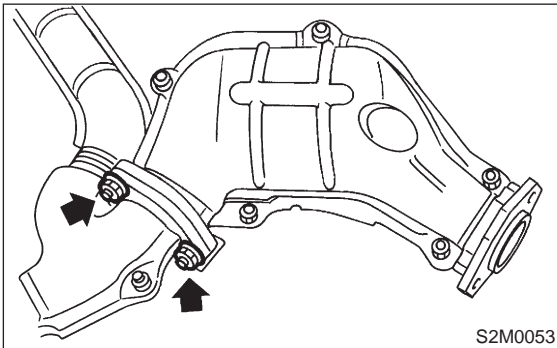
1) Install front catalytic converter to front exhaust pipe.

### CAUTION:

Replace gaskets with new ones.

**Tightening torque:**

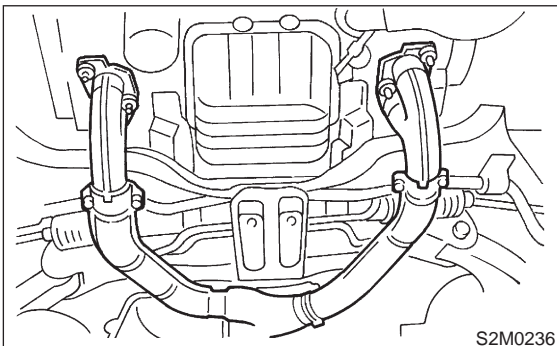
**$30\pm 5$  N-m ( $3.1\pm 0.5$  kg-m,  $22.4\pm 3.6$  ft-lb)**



2) Tighten bolts which hold front exhaust pipe onto cylinder heads.

**Tightening torque:**

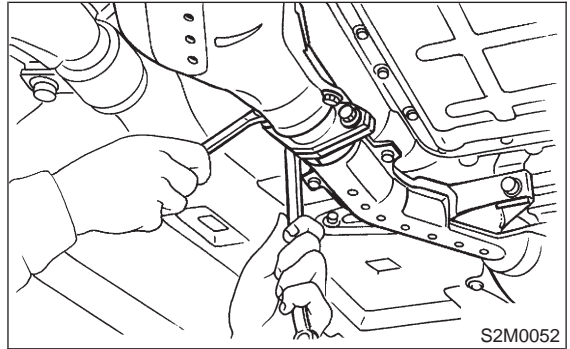
**$30\pm 5$  N-m ( $3.1\pm 0.5$  kg-m,  $22.4\pm 3.6$  ft-lb)**



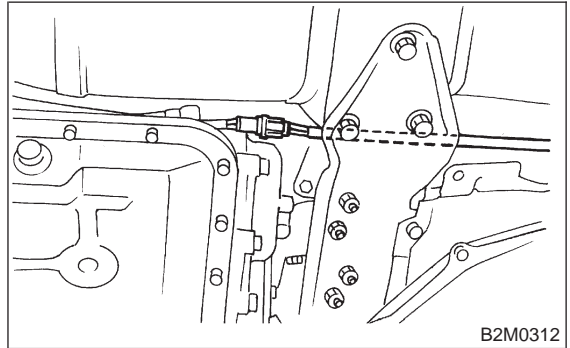
3) Install center exhaust pipe to front exhaust pipe.

**Tightening torque:**

**$35\pm 5$  N-m ( $3.6\pm 0.5$  kg-m,  $26.0\pm 3.6$  ft-lb)**

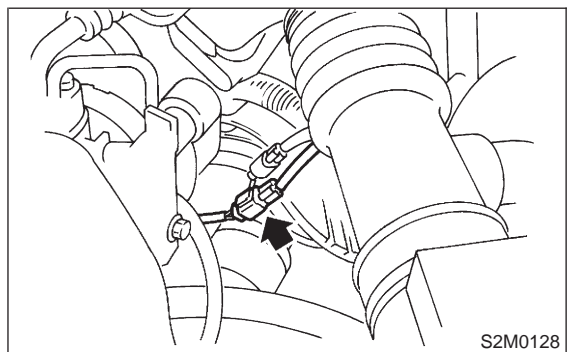


4) Connect rear oxygen sensor connector. (Except California spec. vehicles)

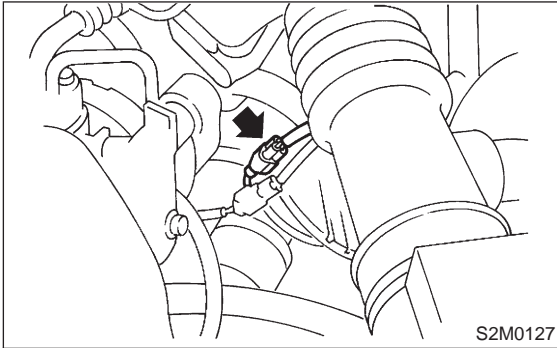


5) Lower the vehicle.

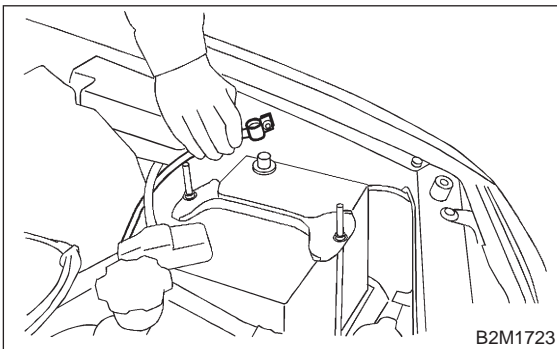
6) Connect rear oxygen sensor connector. (California spec. vehicles)



7) Connect front oxygen sensor connector.



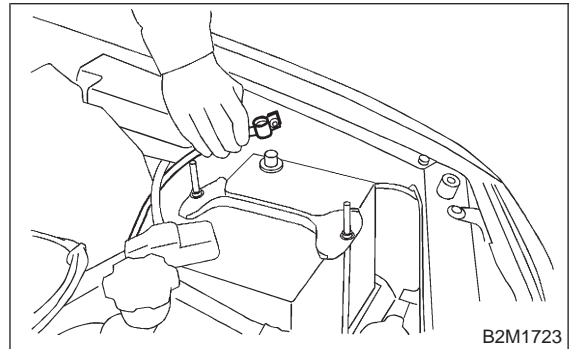
8) Connect battery ground cable.



## 2. Center Exhaust Pipe

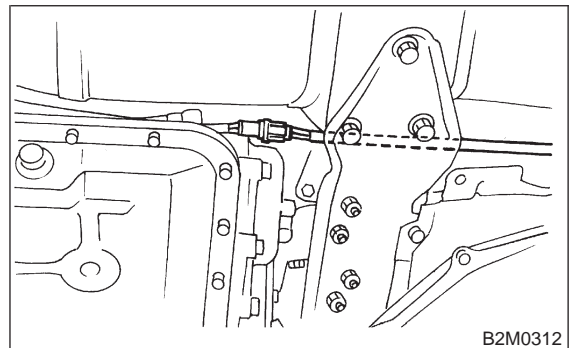
### A: REMOVAL

1) Disconnect battery ground cable.



2) Lift-up the vehicle.

3) Disconnect rear oxygen sensor connector.  
(Except California spec. vehicles)



4) Separate center exhaust pipe and rear catalytic converter assembly from rear exhaust pipe.

