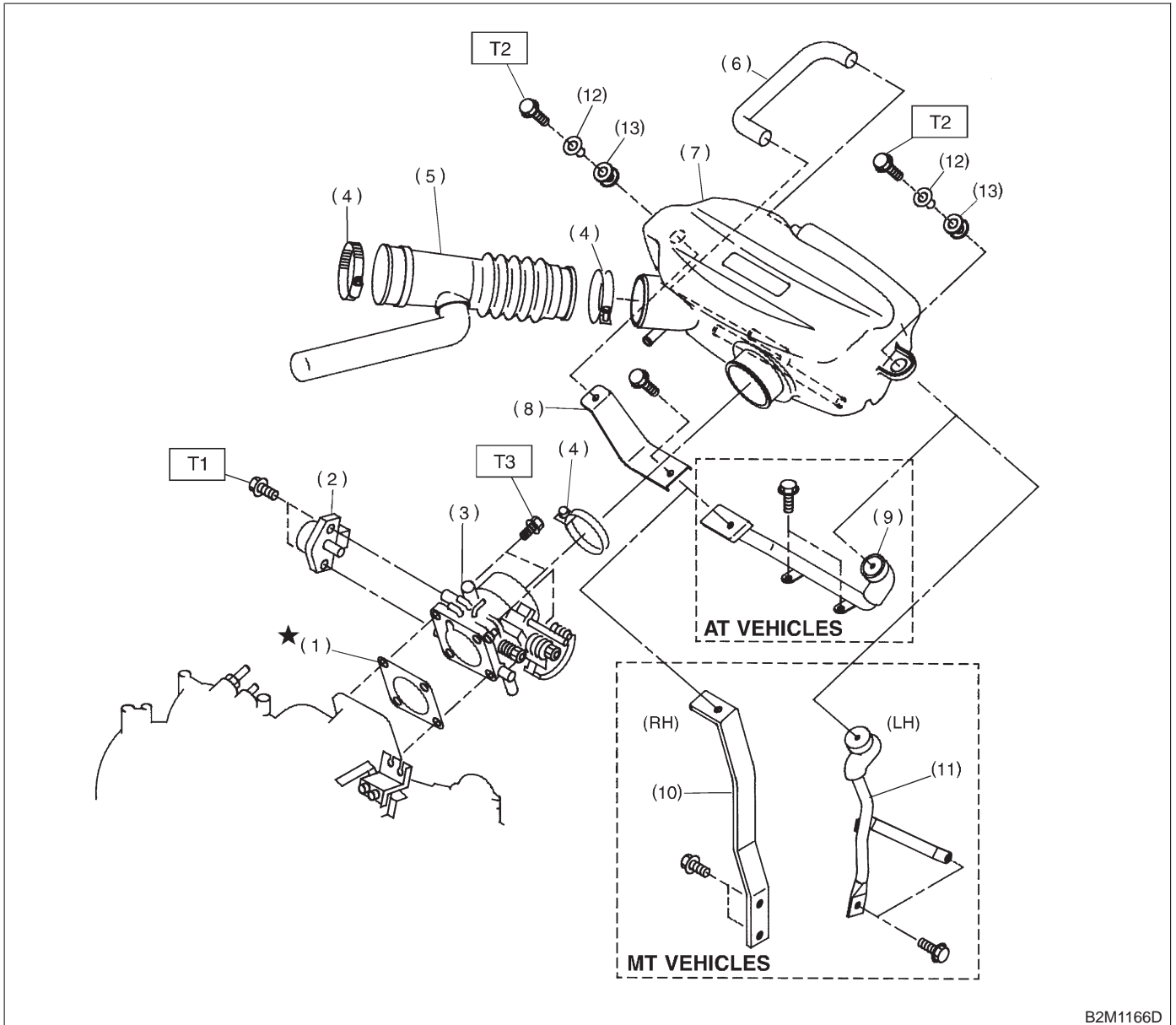


2. Air Intake System



B2M1166D

- | | |
|------------------------------|---------------------------|
| (1) Gasket | (8) Stay A |
| (2) Throttle position sensor | (9) Stay B (AT vehicles) |
| (3) Throttle body | (10) Stay C (MT vehicles) |
| (4) Clamp | (11) Stay D (MT vehicles) |
| (5) Air intake duct | (12) Spacer |
| (6) By-pass hose | (13) Bush |
| (7) Air intake chamber | |

Tightening torque: N-m (kg-m, ft-lb)

T1: 2.2±0.2 (0.22±0.02, 1.6±0.1)

T2: 4.9±0.5 (0.5±0.05, 3.6±0.4)

T3: 22±2 (2.2±0.2, 15.9±1.4)