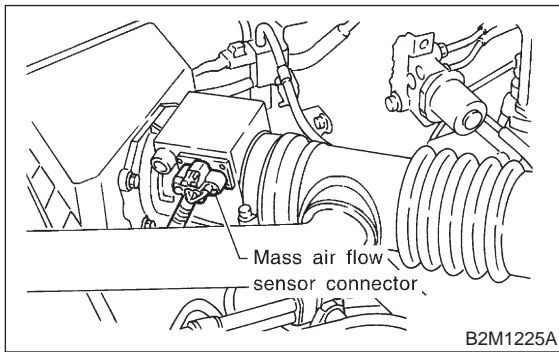


1. Air Cleaner and Air Intake Duct

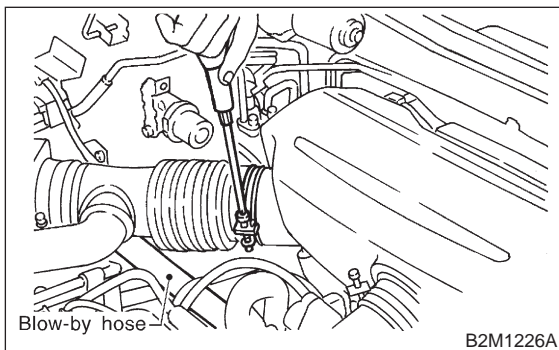
1. Air Cleaner and Air Intake Duct

A: REMOVAL AND INSTALLATION

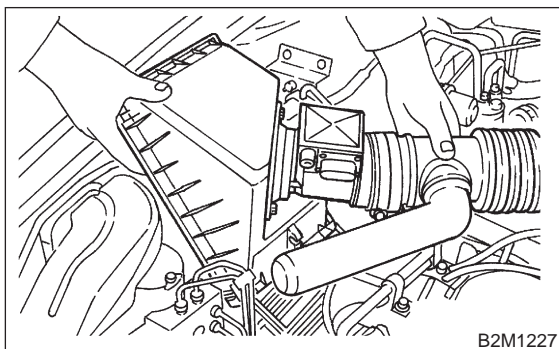
- 1) Disconnect connector from mass air flow sensor.



- 2) Loosen clamp which connects air intake duct to air intake chamber.

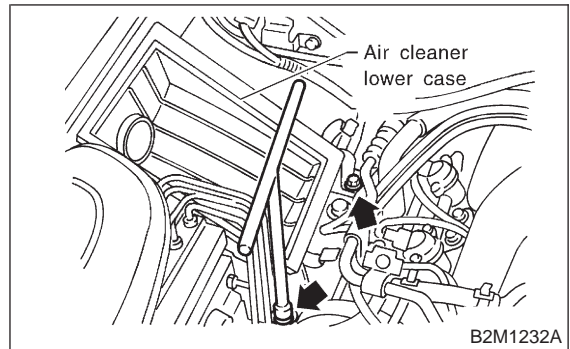


- 3) Remove two clips of air cleaner upper cover.
 4) Disconnect blow-by hose from air intake duct.
 5) Remove air intake duct and air cleaner upper cover as a unit.



- 6) Remove air cleaner element.

- 7) Remove air cleaner lower case.



- 8) Installation is in the reverse order of removal.

CAUTION:

Before installing air cleaner upper cover, align holes with protruding portions of air cleaner lower case, then secure upper cover to lower case.

