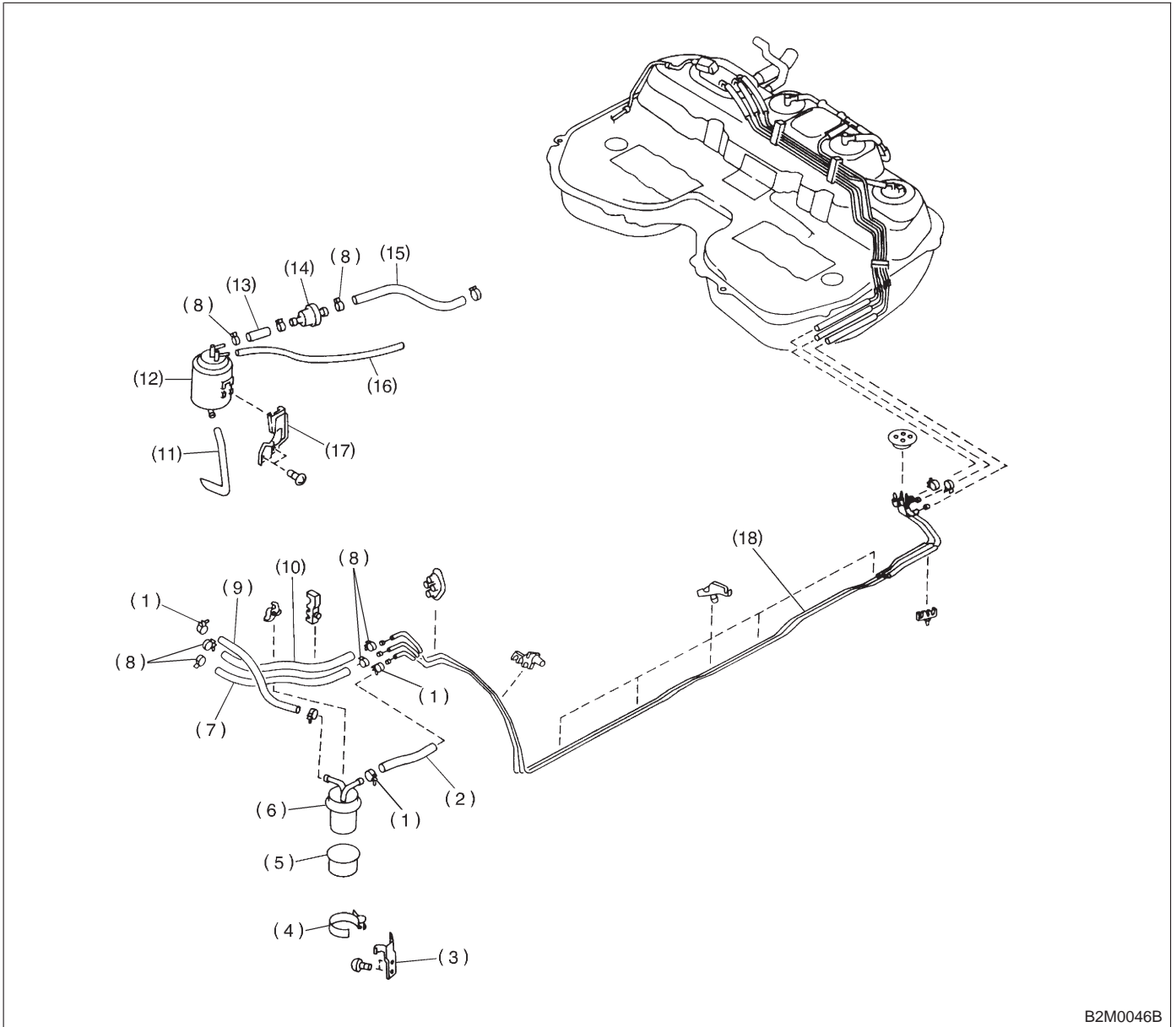


2. Fuel Line

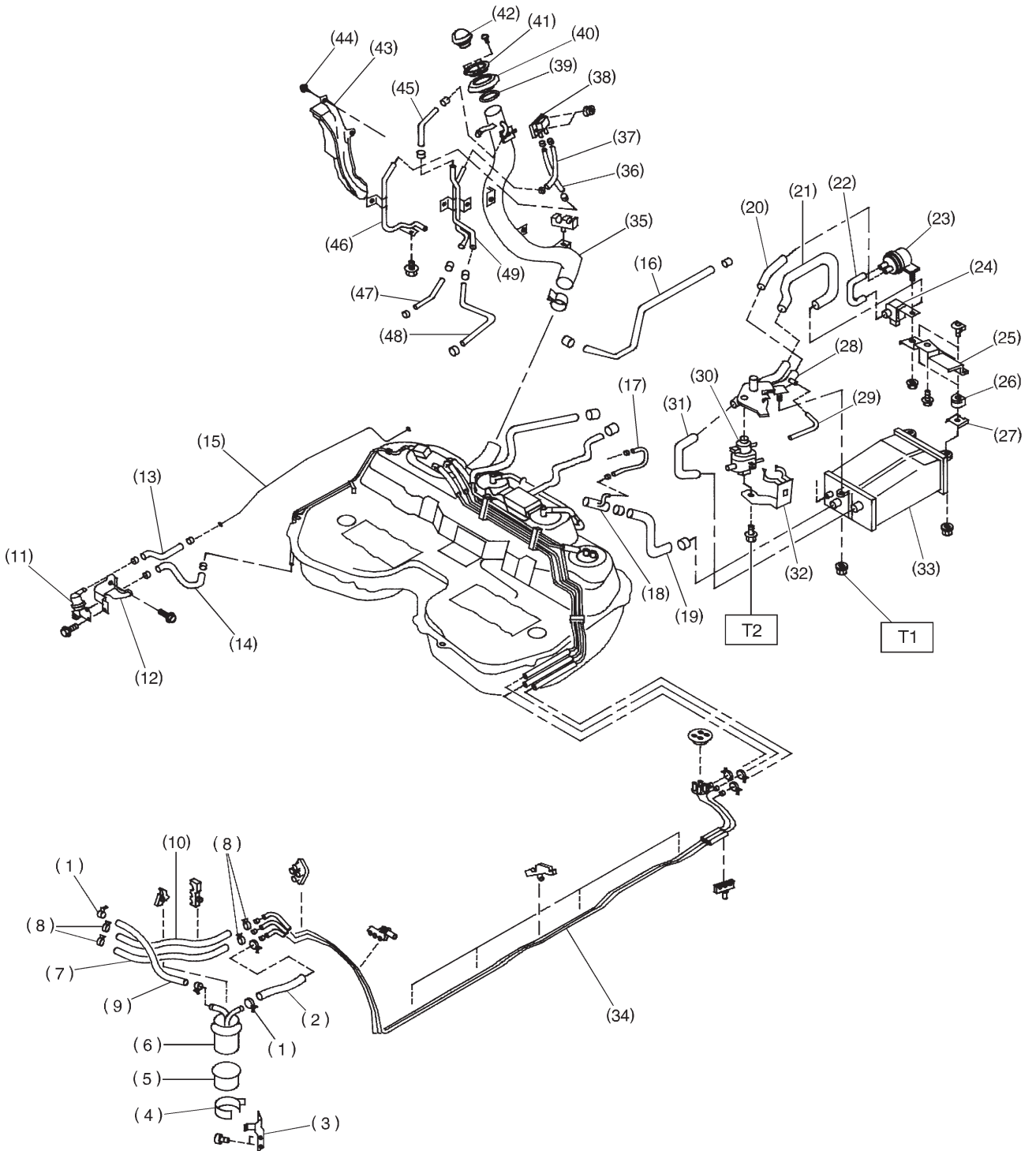
A: 2200 cc FWD AND TAIWAN SPEC. VEHICLES



B2M0046B

- | | | |
|--------------------------|--------------------------|-----------------------|
| (1) Clamp | (7) Evaporation hose | (13) Canister hose A |
| (2) Fuel delivery hose A | (8) Clip | (14) Two-way valve |
| (3) Fuel filter bracket | (9) Fuel delivery hose B | (15) Canister hose B |
| (4) Fuel filter holder | (10) Fuel return hose | (16) Canister hose C |
| (5) Fuel filter cup | (11) Air vent hose | (17) Canister bracket |
| (6) Fuel filter | (12) Canister | (18) Fuel pipe ASSY |

B: 2200 cc AWD EXCEPT TAIWAN SPEC. VEHICLES



B2M1708A

COMPONENT PARTS

[C2B0] 2-8
2. Fuel Line

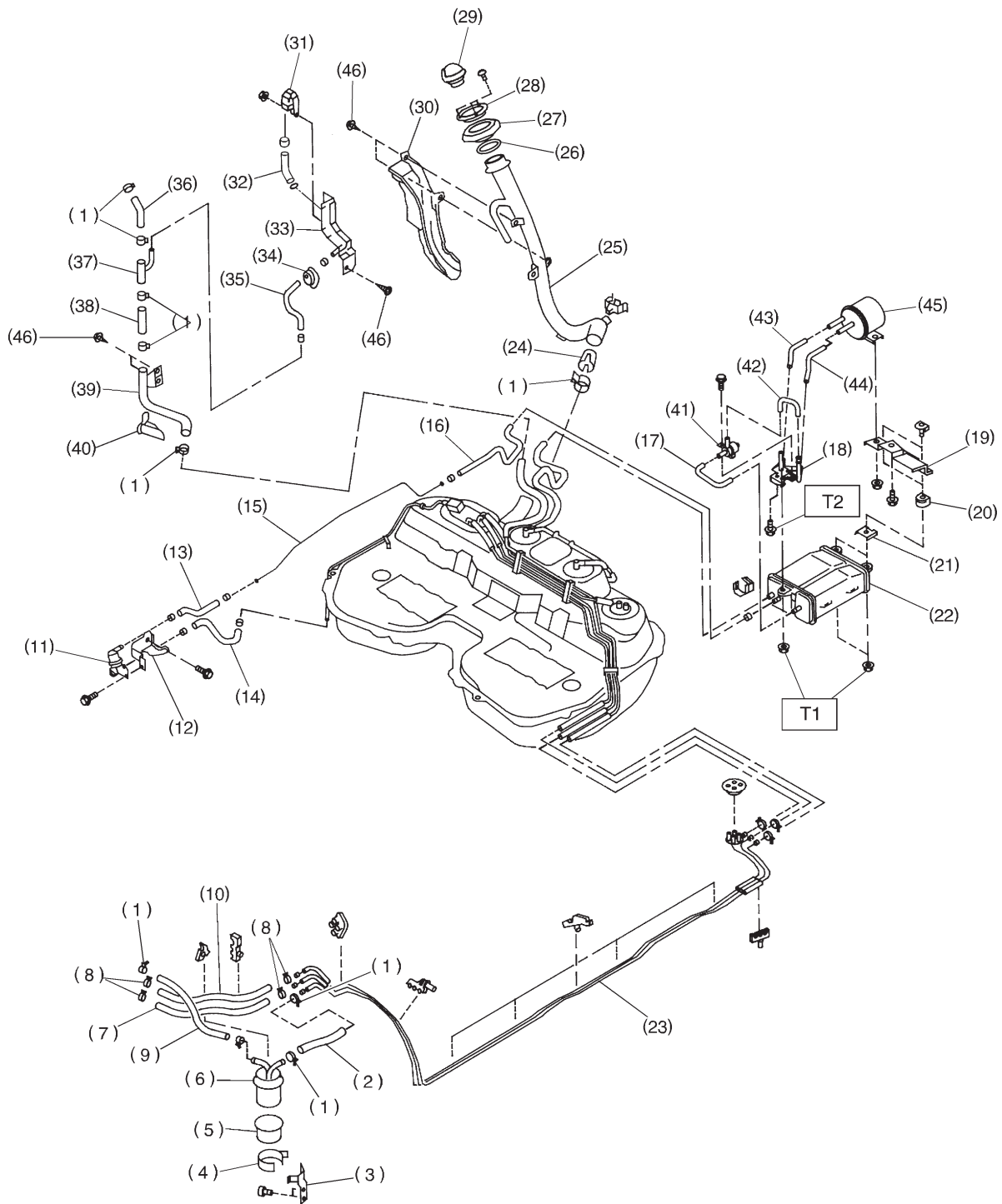
-
- | | | |
|------------------------------|---|---------------------------------|
| (1) Clamp | (20) Air filter hose A | (38) Shut valve |
| (2) Fuel delivery hose A | (21) Drain valve hose | (39) Packing |
| (3) Fuel filter bracket | (22) Air filter hose B | (40) Ring A |
| (4) Fuel filter holder | (23) Air filter | (41) Ring B |
| (5) Fuel filter cup | (24) Drain valve | (42) Fuel filler cap |
| (6) Fuel filter | (25) Canister upper bracket | (43) Fuel filler pipe protector |
| (7) Evaporation hose | (26) Cushion rubber | (44) Tapping screw |
| (8) Clip | (27) Canister lower bracket | (45) Evaporation hose O |
| (9) Fuel delivery hose B | (28) Canister holder | (46) Joint pipe |
| (10) Fuel return hose | (29) Evaporation hose L | (47) Evaporation hose P |
| (11) Roll over valve | (30) Pressure control solenoid valve | (48) Evaporation hose Q |
| (12) Roll over valve bracket | (31) Canister hose B | (49) Evaporation pipe |
| (13) Evaporation hose H | (32) Pressure control solenoid valve holder | |
| (14) Evaporation hose I | (33) Canister | |
| (15) Evaporation pipe B | (34) Fuel pipe ASSY | |
| (16) Evaporation hose J | (35) Fuel filler pipe | |
| (17) Evaporation hose K | (36) Evaporation hose M | |
| (18) Joint pipe | (37) Evaporation hose N | |
| (19) Canister hose A | | |

Tightening torque: N-m (kg-m, ft-lb)

T1: 23±7 (2.3±0.7, 16.6±5.1)

T2: 25±7 (2.5±0.7, 18.1±5.1)

C: 2500 cc MODEL



COMPONENT PARTS

[C2C0] 2-8
2. Fuel Line

-
- | | | |
|------------------------------|--|---------------------------------------|
| (1) Clamp | (19) Canister upper bracket | (35) Fuel tank pressure sensor hose B |
| (2) Fuel delivery hose A | (20) Cushion rubber | (36) Air ventilator hose A |
| (3) Fuel filter bracket | (21) Canister lower bracket | (37) Air ventilator pipe A |
| (4) Fuel filter holder | (22) Canister | (38) Air ventilator hose B |
| (5) Fuel filter cup | (23) Fuel pipe ASSY | (39) Air ventilator pipe B |
| (6) Fuel filter | (24) Fuel filler valve | (40) Air ventilator pipe protector |
| (7) Evaporation hose | (25) Fuel filler pipe | (41) Vent control solenoid valve |
| (8) Clip | (26) Packing | (42) Vent control solenoid valve hose |
| (9) Fuel delivery hose B | (27) Ring A | (43) Air filter hose A |
| (10) Fuel return hose | (28) Ring B | (44) Air filter hose B |
| (11) Roll over valve | (29) Fuel filler cap | (45) Air filter |
| (12) Roll over valve bracket | (30) Fuel filler pipe protector | (46) Tapping screw |
| (13) Evaporation hose H | (31) Fuel tank pressure sensor | |
| (14) Evaporation hose I | (32) Fuel tank pressure sensor hose A | |
| (15) Evaporation pipe B | (33) Fuel tank pressure sensor bracket | |
| (16) Canister hose A | (34) Grommet | |
| (17) Canister hose B | | |
| (18) Canister holder | | |
-
- Tightening torque: N-m (kg-m, ft-lb)**
T1: 23±7 (2.3±0.7, 16.6±5.1)
T2: 25±7 (2.5±0.7, 18.1±5.1)
-