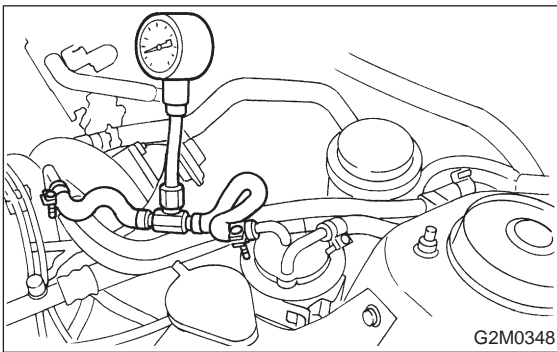


- 4) Start the engine.
- 5) Measure fuel pressure while disconnecting pressure regulator vacuum hose from collector chamber.

Fuel pressure:

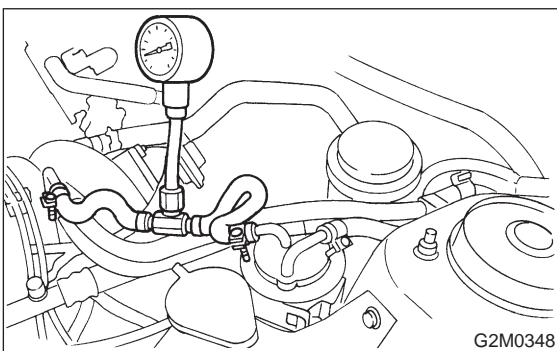
235 — 265 kPa (2.4 — 2.7 kg/cm², 34 — 38 psi)



- 6) After connecting pressure regulator vacuum hose, measure fuel pressure.

Fuel pressure:

177 — 206 kPa (1.8 — 2.1 kg/cm², 26 — 30 psi)

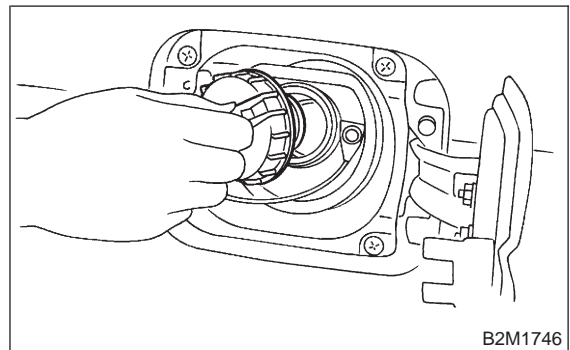


2. Fuel Tank

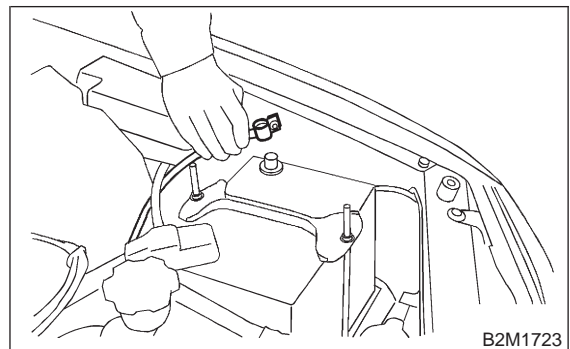
A: REMOVAL

1. 2200 cc FWD AND TAIWAN SPEC. VEHICLES

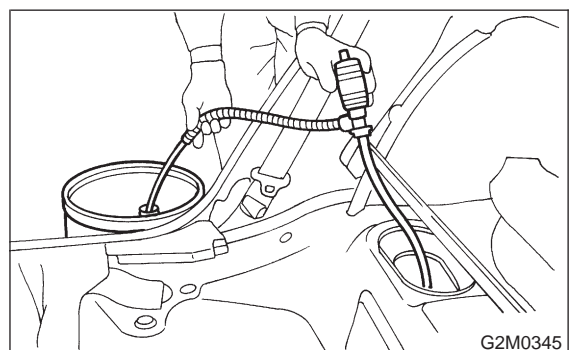
- 1) Release fuel pressure. <Ref. to 2-8 [W1B0].>
- 2) Open fuel flap lid, and remove fuel filler cap.



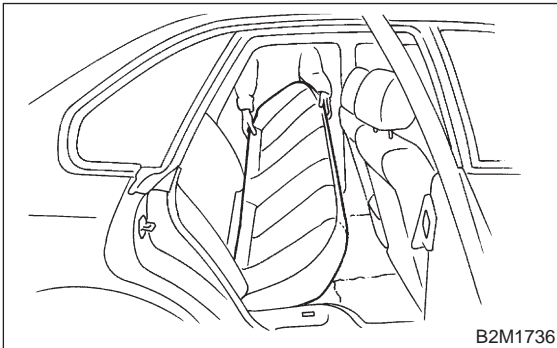
- 3) Disconnect battery ground cable.



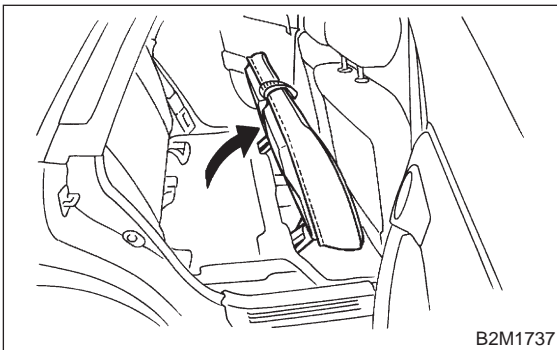
- 4) Drain fuel from fuel tank. <Ref. to 2-8 [W1C0].>



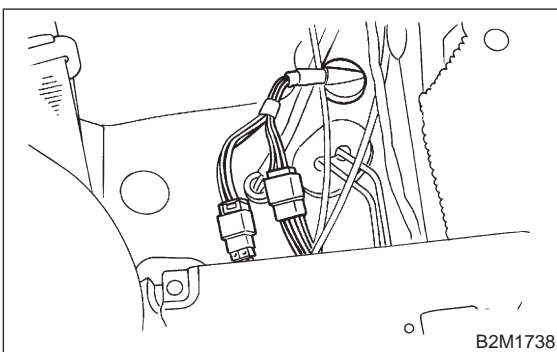
- 5) Remove rear seat cushion. (Sedan model)
<Ref. to 5-3 [W2A1].>



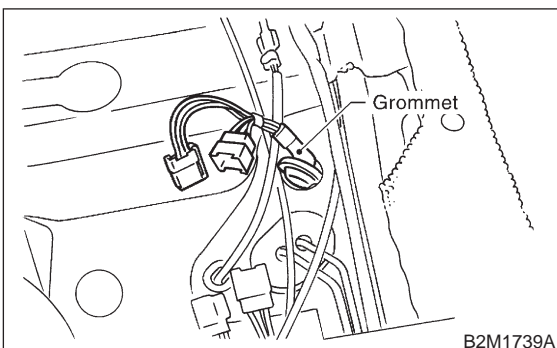
- 6) Move rear seat cushion forward. (Wagon model)
<Ref. to 5-3 [W2A2].>



- 7) Disconnect connector of fuel tank cord from rear harness.



- 8) Push grommet which holds fuel tank cord on floor panel into under the body.

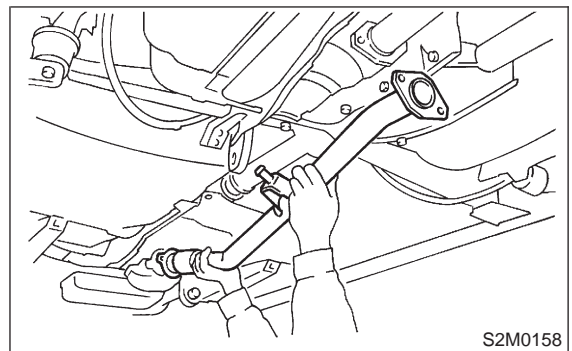


- 9) Lift-up the vehicle.

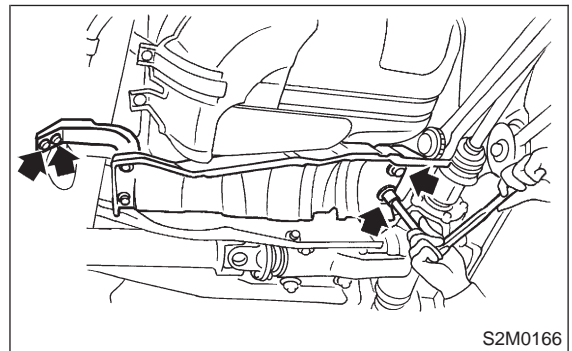
- 10) Remove rear exhaust pipe.
(1) Separate rear exhaust pipe from center exhaust pipe.
(2) Separate rear exhaust pipe from muffler.
(3) Remove bracket from rubber cushion, and remove exhaust pipe.

NOTE:

To facilitate the removal of parts, apply a coat of SUBARU CRC5-56 (Part No. 004301003). <Ref. to 2-9 [W3A0].>



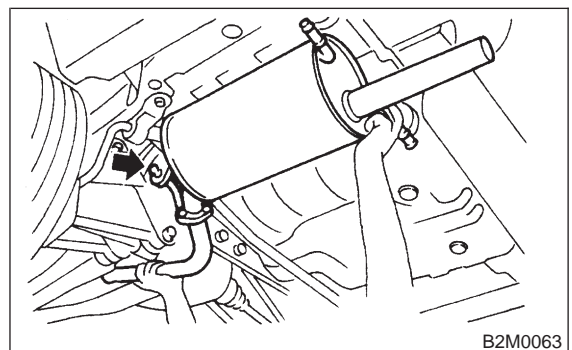
- 11) Remove heat sealed cover.



- 12) Remove muffler assembly.
<Ref. to 2-9 [W4A0].>

NOTE:

To facilitate the removal of parts, apply a coat of SUBARU CRC5-56 (Part No. 004301003).

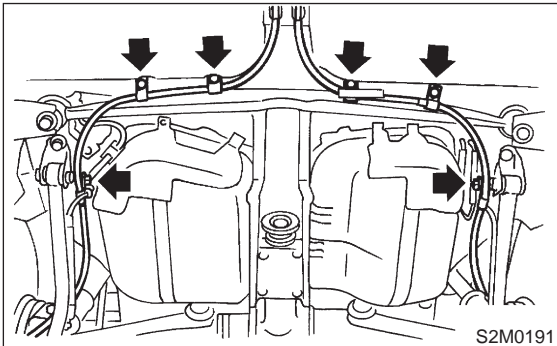


2-8 [W2A1]

2. Fuel Tank

SERVICE PROCEDURE

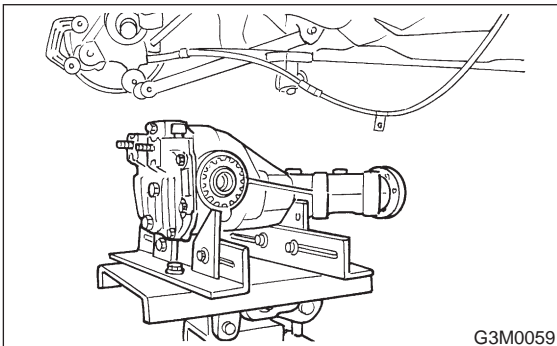
13) Remove bolts which hold parking brake cable holding bracket.



14) Remove rear differential assembly. (AWD model)

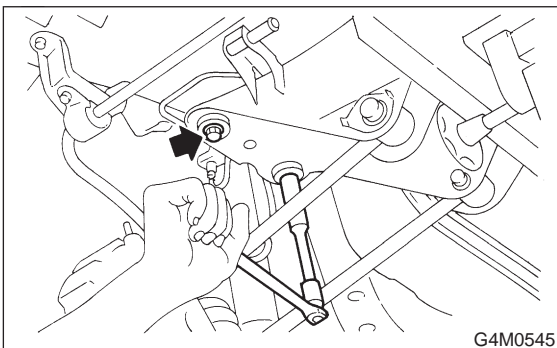
- (1) Remove rear axle shafts from rear differential assembly.
- (2) Remove rear differential front cover.
- (3) Remove propeller shaft.
- (4) Remove lower differential bracket.
- (5) Set transmission jack under rear differential.
- (6) Remove bolts which install rear differential onto rear crossmember.

<Ref. to 3-4 [W2B0].>

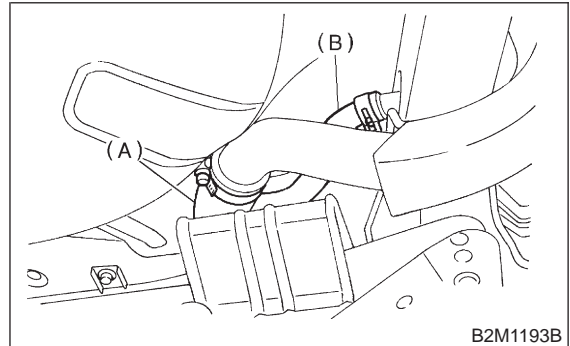


15) Remove rear crossmember.

- FWD model: <Ref. to 4-1 [W10A0].>
- AWD model: <Ref. to 4-1 [W11A0].>

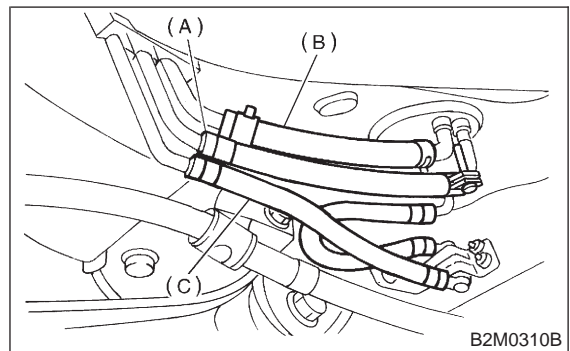


16) Loosen clamp, and disconnect fuel filler hose (A) and air vent hose (B) from fuel filler pipe and air vent pipe.



17) Loosen clamp, and then disconnect fuel delivery hose (A).

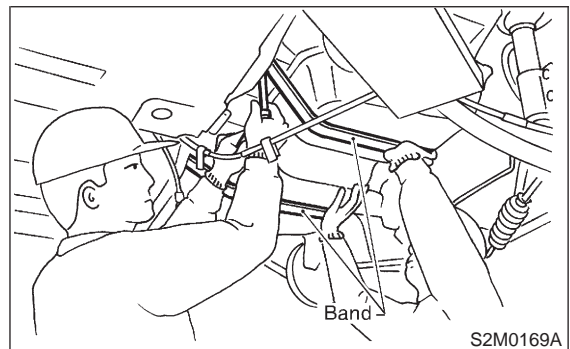
18) Move clips, and disconnect fuel return hose (B) and evaporation hose (C).



19) While holding fuel tank, remove bolts from bands and dismount fuel tank.

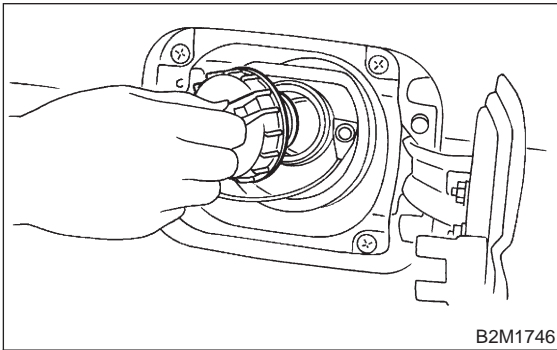
WARNING:

A helper is required to perform this work.

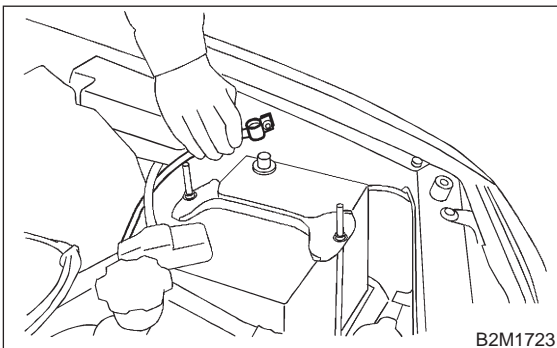


2. 2200 cc AWD EXCEPT TAIWAN SPEC. VEHICLES

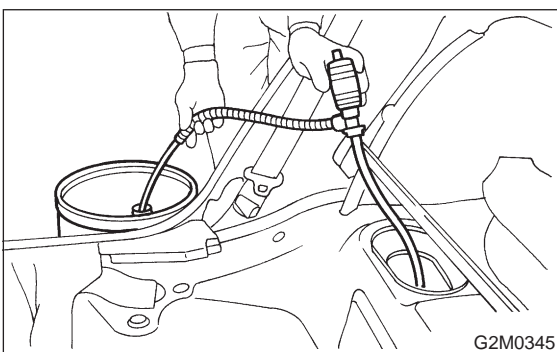
- 1) Release fuel pressure. <Ref. to 2-8 [W1B0].>
- 2) Open fuel flap lid, and remove fuel filler cap.



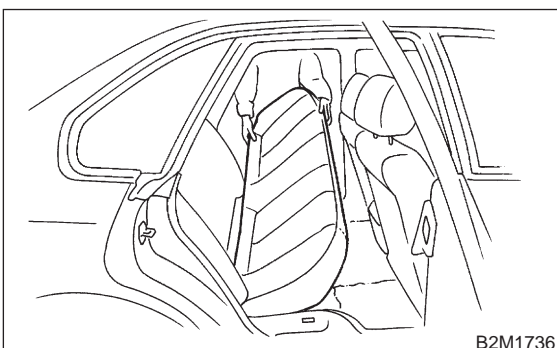
- 3) Disconnect battery ground cable.



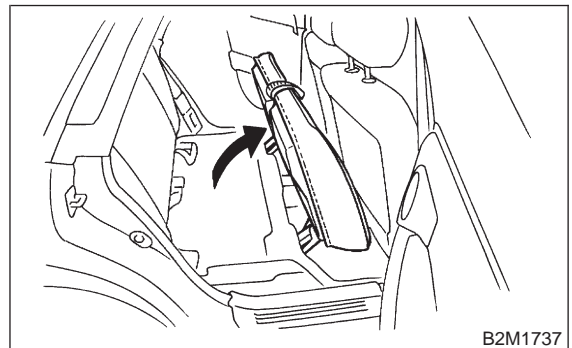
- 4) Drain fuel from fuel tank. <Ref. to 2-8 [W1C0].>



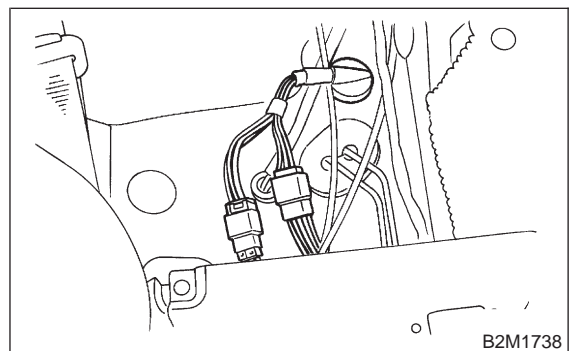
- 5) Remove rear seat cushion. (Sedan model) <Ref. to 5-3 [W2A1].>



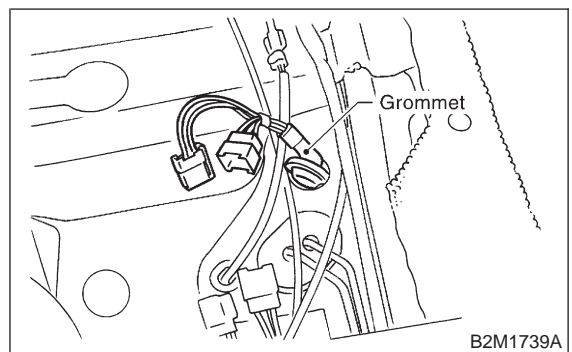
- 6) Move rear seat cushion forward. (Wagon model) <Ref. to 5-3 [W2A2].>



- 7) Disconnect connector of fuel tank cord from rear harness.



- 8) Push grommet which holds fuel tank cord on floor panel into under the body.



2-8 [W2A2]

2. Fuel Tank

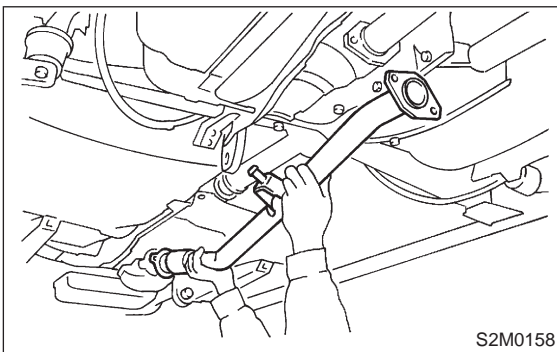
SERVICE PROCEDURE

- 9) Lift-up the vehicle.
- 10) Remove rear exhaust pipe.
 - (1) Separate rear exhaust pipe from center exhaust pipe.
 - (2) Separate rear exhaust pipe from muffler.
 - (3) Remove bracket from rubber cushion, and remove exhaust pipe.

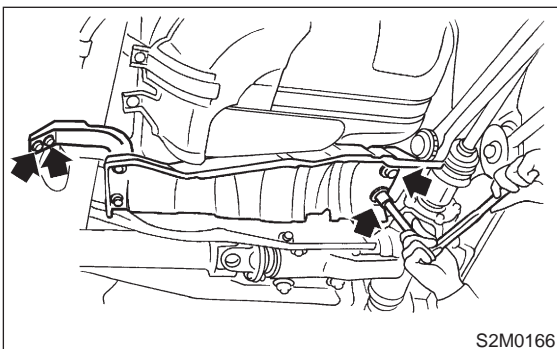
NOTE:

To facilitate the removal of parts, apply a coat of SUBARU CRC5-56 (Part No. 004301003). <Ref. to 2-9 [W3A0].>

Separate rear exhaust pipe from muffler.



- 11) Remove heat sealed cover.

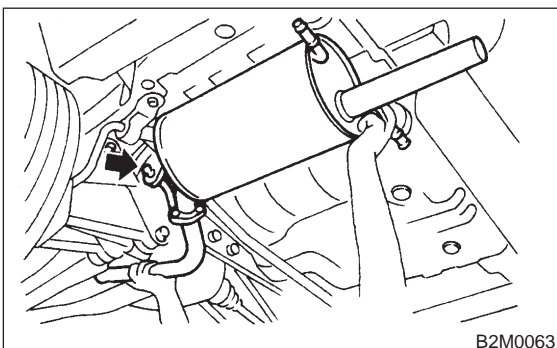


- 12) Remove muffler assembly.

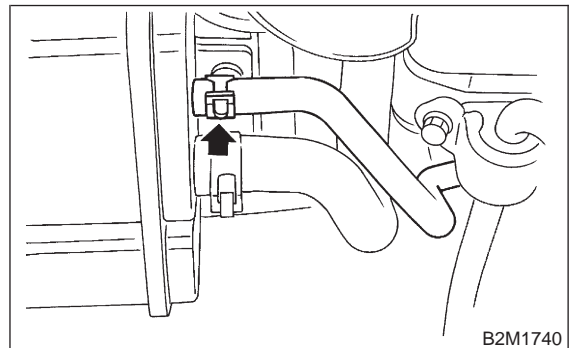
<Ref. to 2-9 [W4A0].>

NOTE:

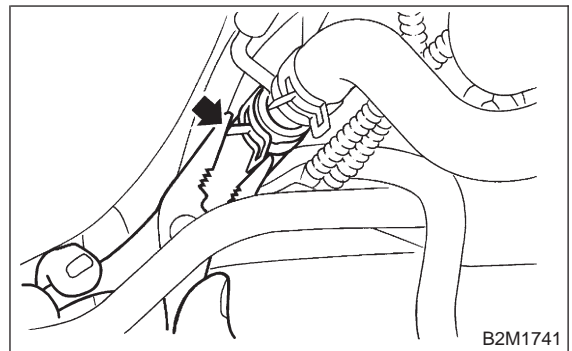
To facilitate the removal of parts, apply a coat of SUBARU CRC5-56 (Part No. 004301003).



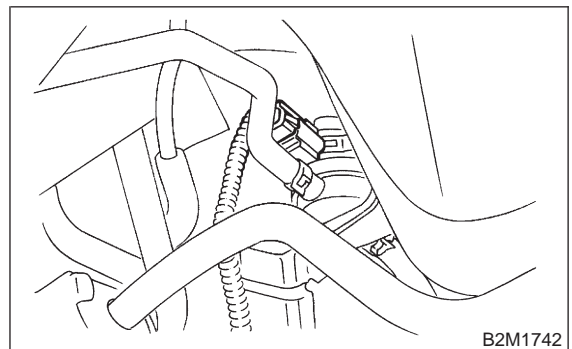
- 13) Move clip, and disconnect evaporation hose from canister.



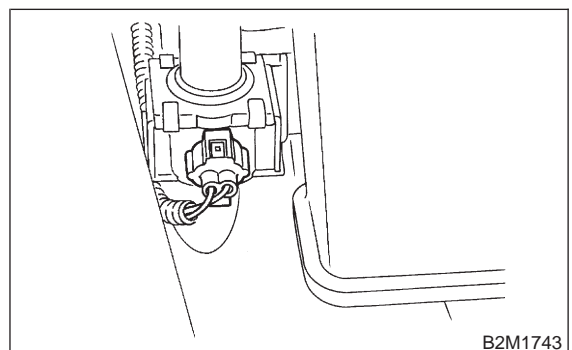
- 14) Disconnect hose from joint pipe.



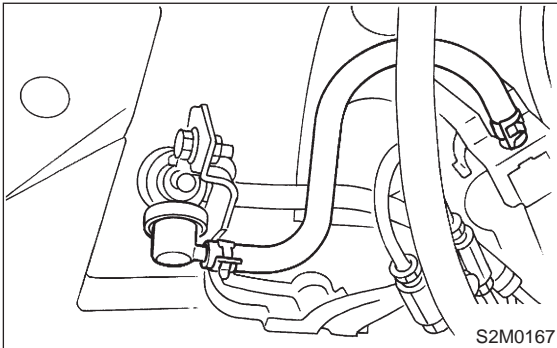
- 15) Disconnect connector from pressure control solenoid valve.



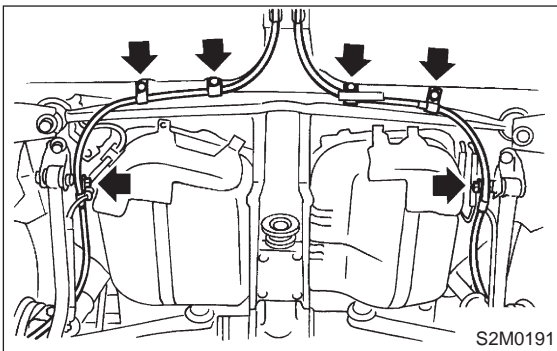
- 16) Disconnect connector from drain valve.



17) Disconnect hoses from roll over valve.



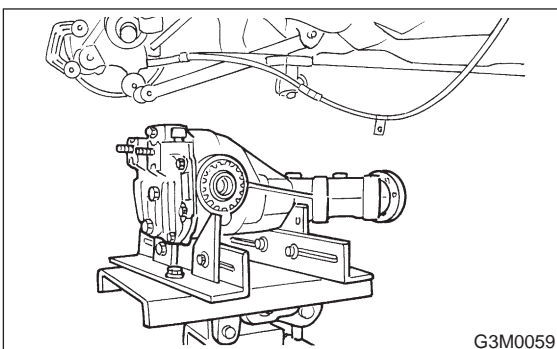
18) Remove bolts which hold parking brake cable holding bracket.



19) Remove rear differential assembly.

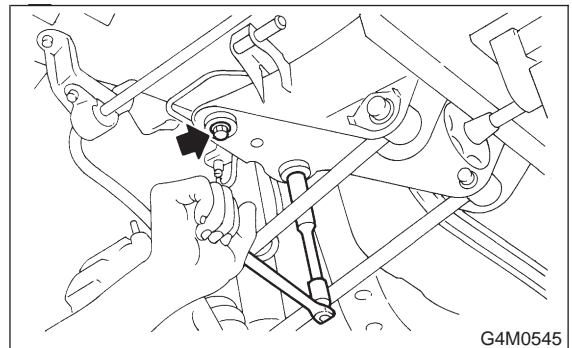
- (1) Remove rear axle shafts from rear differential assembly.
- (2) Remove rear differential front cover.
- (3) Remove propeller shaft.
- (4) Remove lower differential bracket.
- (5) Set transmission jack under rear differential.
- (6) Remove bolts which install rear differential onto rear crossmember.

<Ref. to 3-4 [W2B0].>

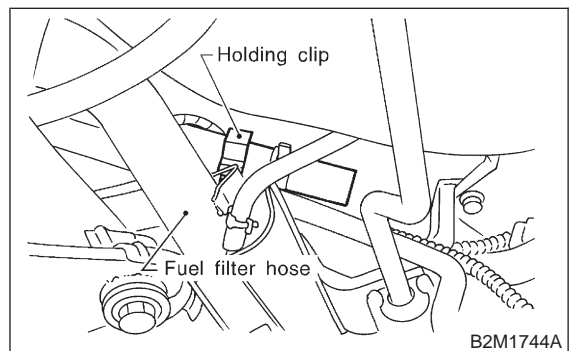


20) Remove rear crossmember.

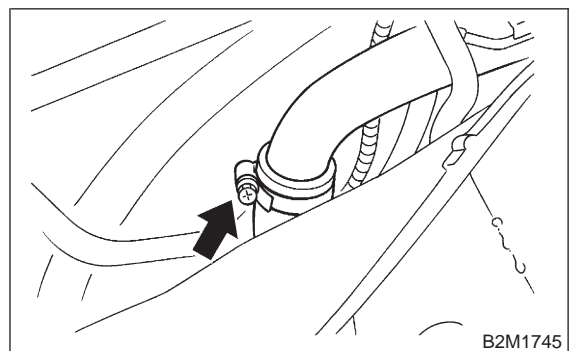
<Ref. to 4-1 [W11A0].>



21) Remove two evaporation hoses from holding clip.

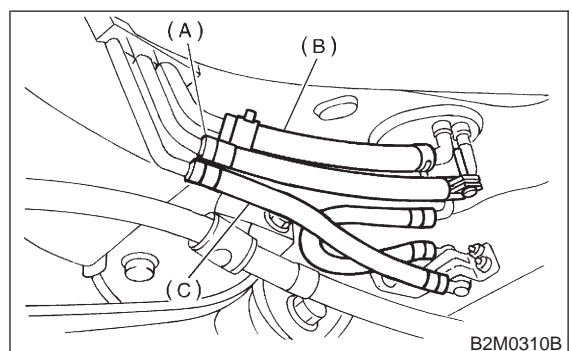


22) Loosen clamp, and disconnect fuel filler hose.



23) Loosen clamp, and then disconnect fuel delivery hose (A).

24) Move clips, and disconnect fuel return hose (B) and evaporation hose (C).



2-8 [W2A3]

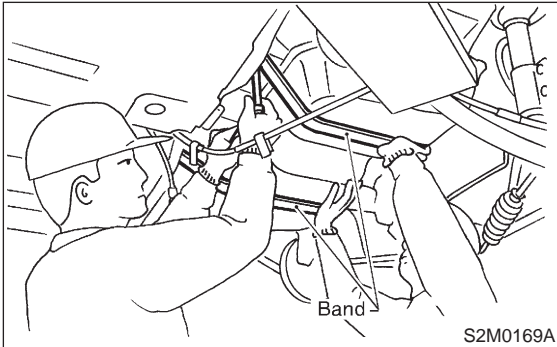
2. Fuel Tank

SERVICE PROCEDURE

25) While holding fuel tank, remove bolts from bands and dismount fuel tank.

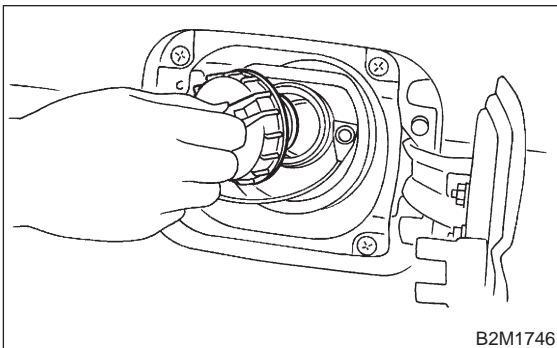
WARNING:

A helper is required to perform this work.

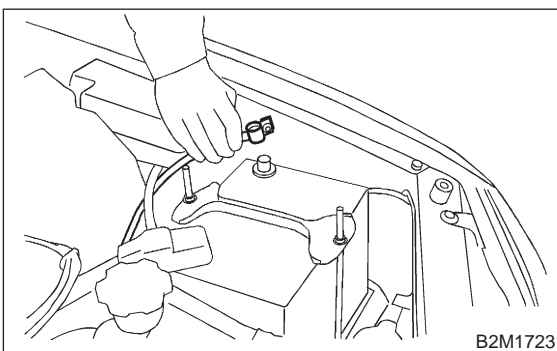


3. 2500 cc MODEL

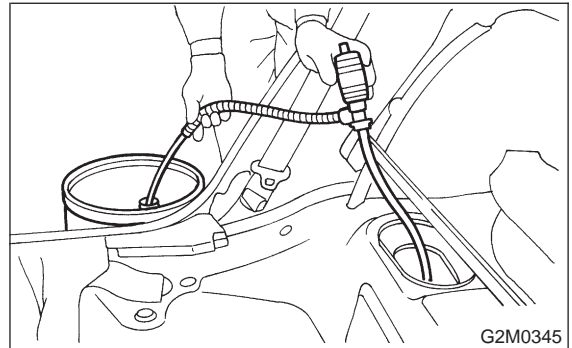
- 1) Release fuel pressure. <Ref. to 2-8 [W1B0].>
- 2) Open fuel flap lid, and remove fuel filler cap.



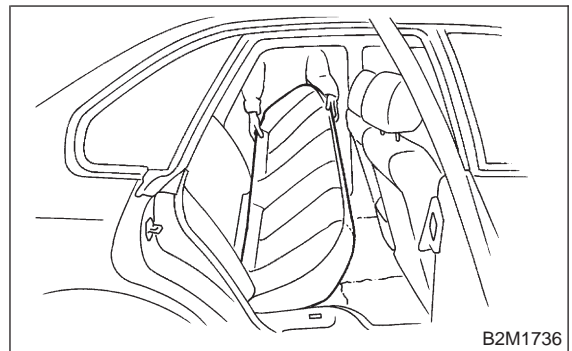
- 3) Disconnect battery ground cable.



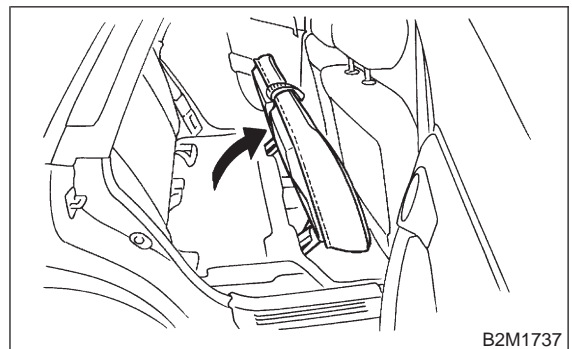
- 4) Drain fuel from fuel tank. <Ref. to 2-8 [W1C0].>



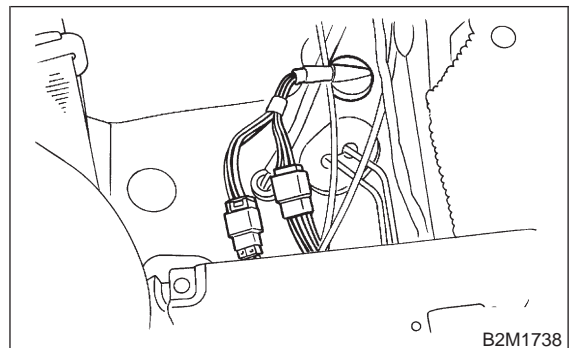
- 5) Remove rear seat cushion. (Sedan model) <Ref. to 5-3 [W2A1].>



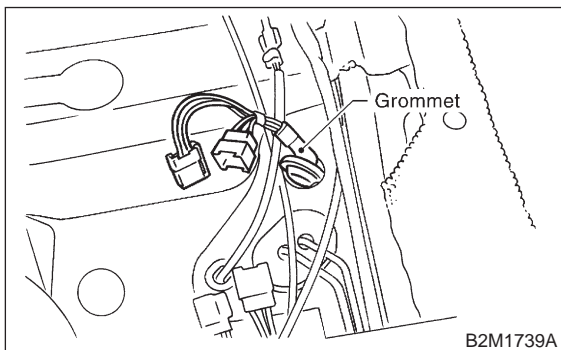
- 6) Move rear seat cushion forward. (Wagon model) <Ref. to 5-3 [W2A2].>



- 7) Disconnect connector of fuel tank cord from rear harness.



8) Push grommet which holds fuel tank cord on floor panel into under the body.



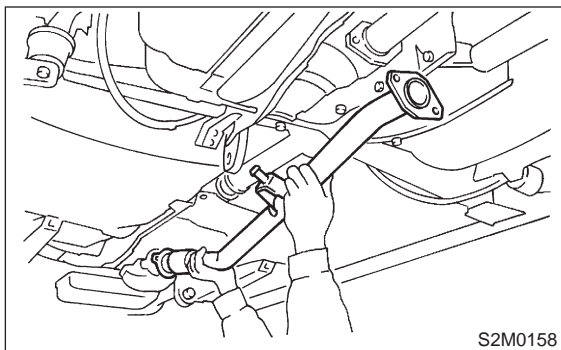
9) Lift-up the vehicle.

10) Remove rear exhaust pipe.

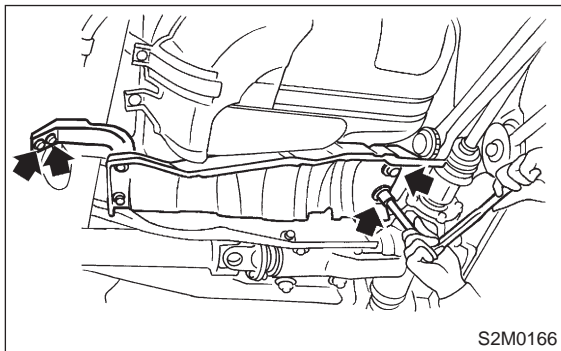
- (1) Separate rear exhaust pipe from center exhaust pipe.
- (2) Separate rear exhaust pipe from muffler.
- (3) Remove bracket from rubber cushion, and remove exhaust pipe.

NOTE:

To facilitate the removal of parts, apply a coat of SUBARU CRC5-56 (Part No. 004301003). <Ref. to 2-9 [W3A0].>



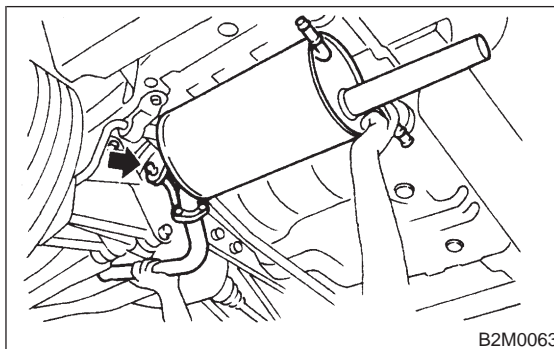
11) Remove heat sealed cover.



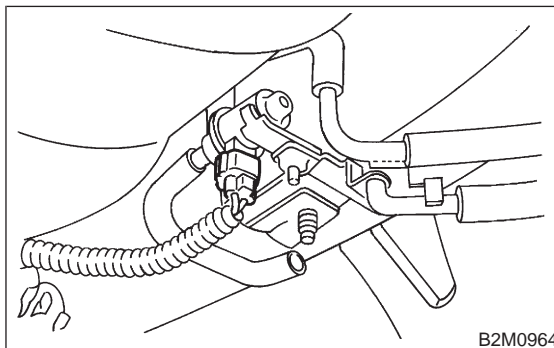
12) Remove muffler assembly.
<Ref. to 2-9 [W4A0].>

NOTE:

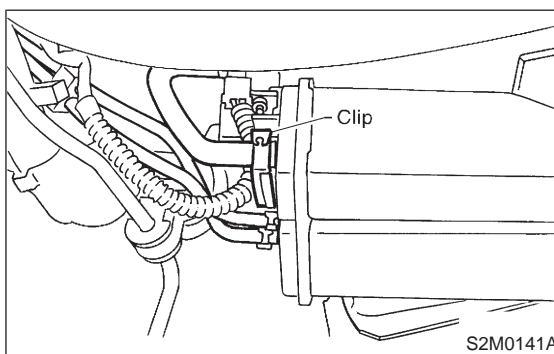
To facilitate the removal of parts, apply a coat of SUBARU CRC5-56 (Part No. 004301003).



13) Disconnect connector from vent control solenoid valve.



14) Remove clip, and disconnect evaporation hose from canister.

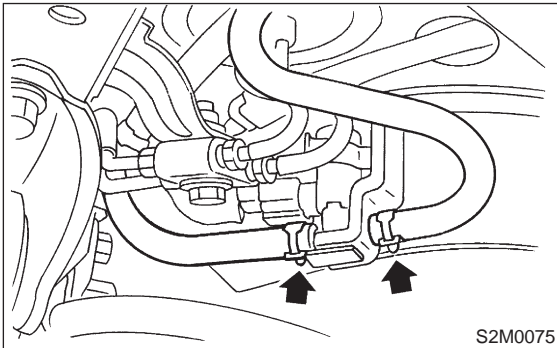


2-8 [W2A3]

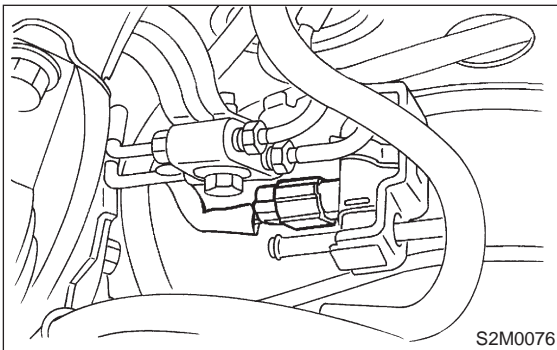
2. Fuel Tank

SERVICE PROCEDURE

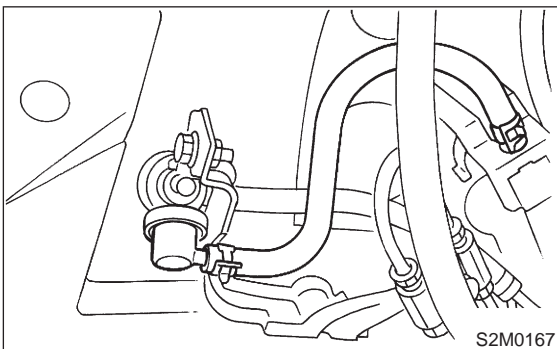
15) Disconnect hoses from pressure control solenoid valve.



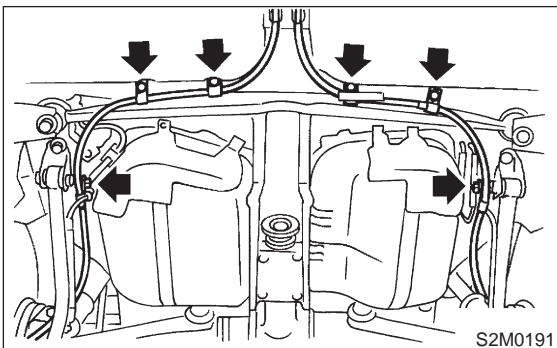
16) Disconnect connector of pressure control solenoid valve.



17) Disconnect hoses from roll over valve.



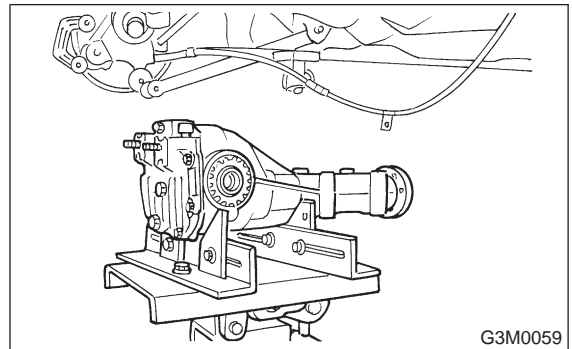
18) Remove bolts which hold parking brake cable holding bracket.



19) Remove rear differential assembly.

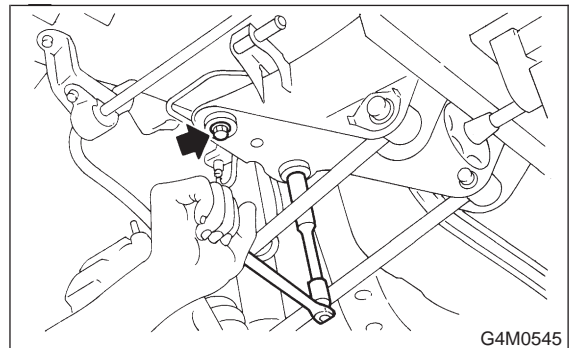
- (1) Remove rear axle shafts from rear differential assembly.
- (2) Remove rear differential front cover.
- (3) Remove propeller shaft.
- (4) Remove lower differential bracket.
- (5) Set transmission jack under rear differential.
- (6) Remove bolts which install rear differential onto rear crossmember.

<Ref. to 3-4 [W2B0].>

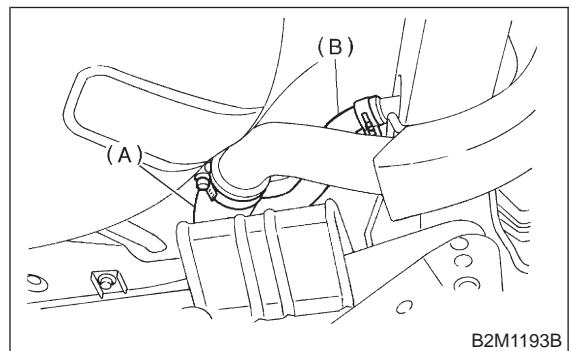


20) Remove rear crossmember.

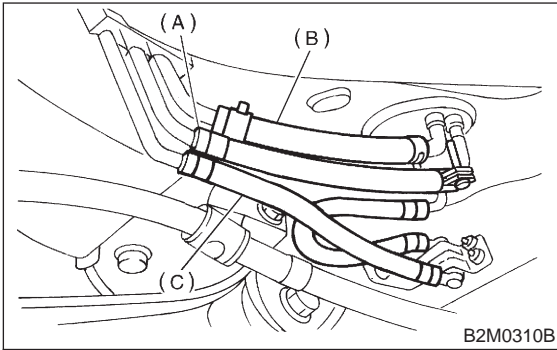
<Ref. to 4-1 [W11A0].>



21) Loosen clamp, and disconnect fuel filler hose (A) and air vent hose (B) from fuel filler pipe and air vent pipe.



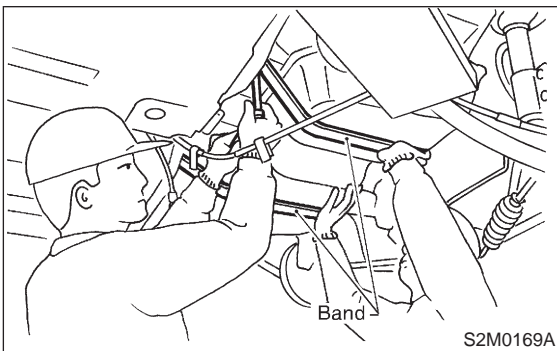
- 22) Loosen clamp, and then disconnect fuel delivery hose (A).
- 23) Move clips, and disconnect fuel return hose (B) and evaporation hose (C).



- 24) While holding fuel tank, remove bolts from bands and dismount fuel tank.

WARNING:

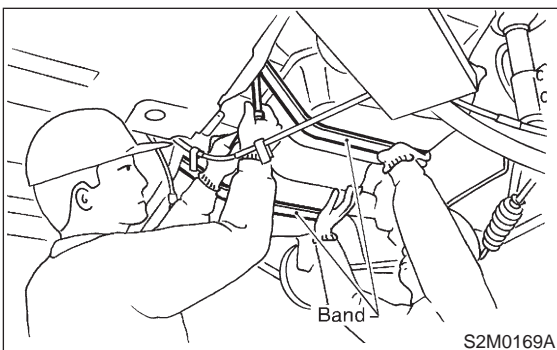
A helper is required to perform this work.



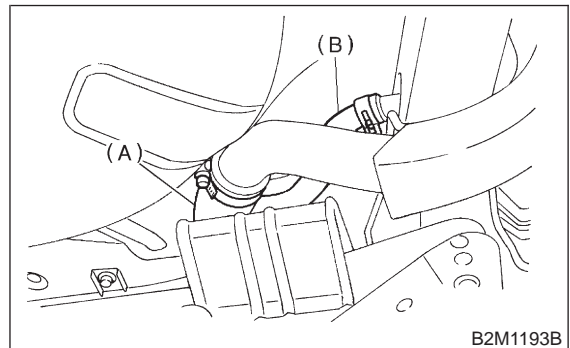
B: INSTALLATION

1. 2200 cc FWD AND TAIWAN SPEC. VEHICLES

- 1) While a helper holds fuel tank, push fuel tank harness into access hole with grommet.
- 2) Set fuel tank, and temporary tighten bolts for installing fuel tank bands.



- 3) Connect fuel filler hose (A) and air vent hose (B).



- 4) Install hose and hold down clips at positions indicated in Figure.

Tightening torque:

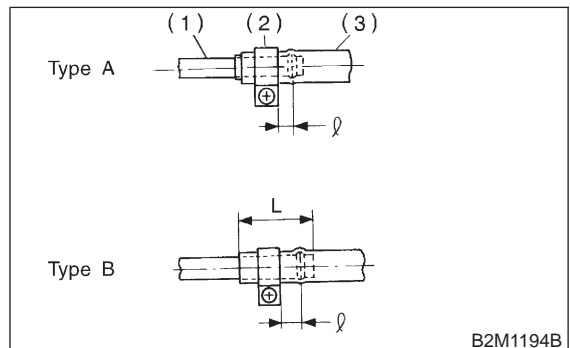
$1.0^{+0.5}/_{-0}$ N·m ($0.1^{+0.05}/_{-0}$ kg·m, $0.7^{+0.4}/_{-0}$ ft·lb)

Type A: When fitting length is specified.

Type B: When fitting length is not specified.

ℓ : 1.0 — 4.0 mm (0.039 — 0.157 in)

L: 20 — 25 mm (0.79 — 0.98 in)



- (1) Fitting
- (2) Clamp
- (3) Hose

2-8 [W2B1]

2. Fuel Tank

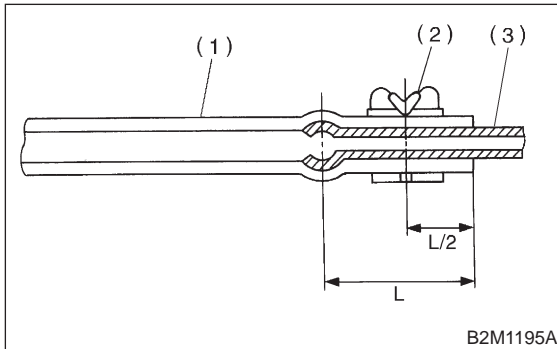
SERVICE PROCEDURE

Fuel return hose:

$L = 20 - 25 \text{ mm (0.79 - 0.98 in)}$

Evaporation hose:

$L = 15 - 20 \text{ mm (0.59 - 0.79 in)}$

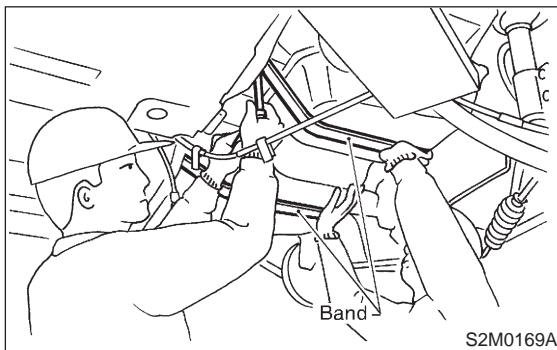


- (1) Hose
- (2) Clip
- (3) Pipe

5) Tighten band mounting bolts.

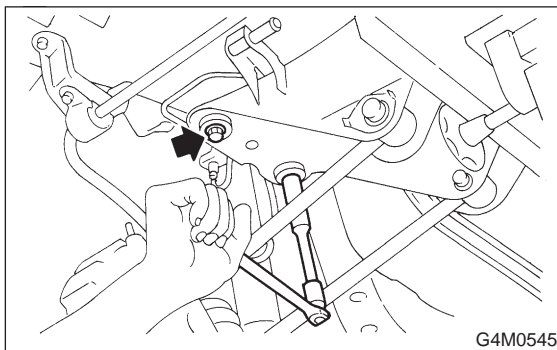
Tightening torque:

$33 \pm 10 \text{ N}\cdot\text{m (3.4 \pm 1.0 kg}\cdot\text{m, 25 \pm 7 ft}\cdot\text{lb)}$

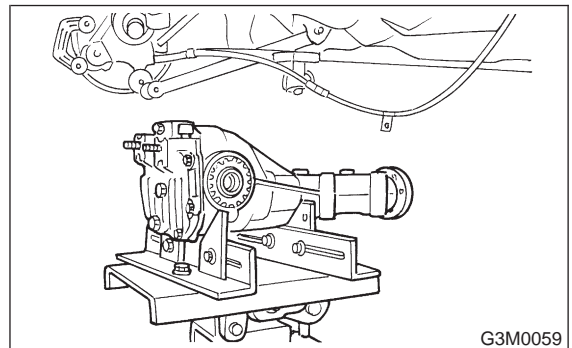


6) Install rear crossmember.

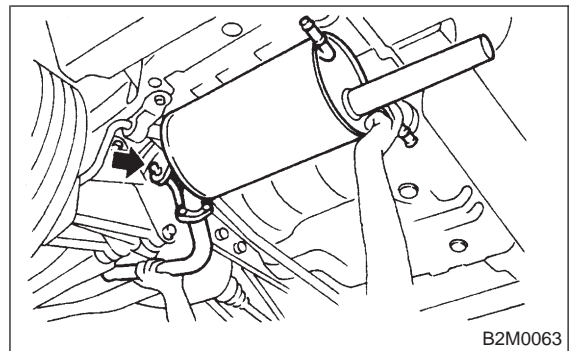
- FWD model: <Ref. to 4-1 [W10C0].>
- AWD model: <Ref. to 4-1 [W11C0].>



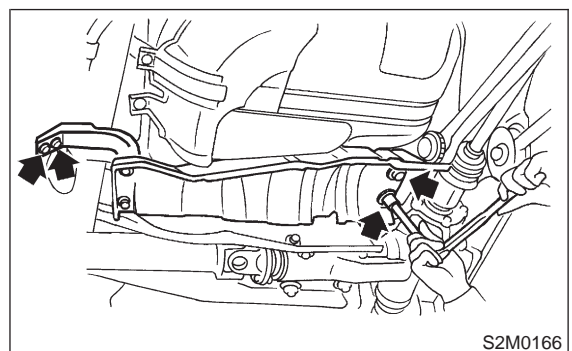
7) Install rear differential assembly. (AWD model)
<Ref. to 3-4 [W2F0].>



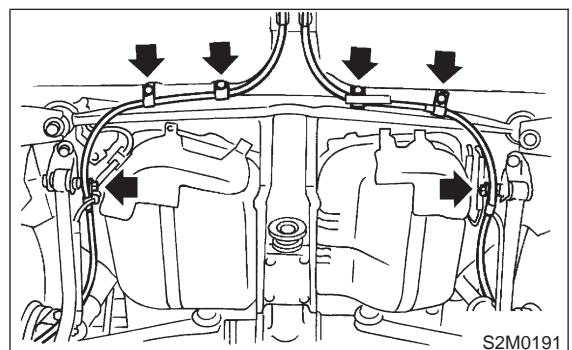
8) Install muffler assembly. <Ref. to 2-9 [W4A0].>



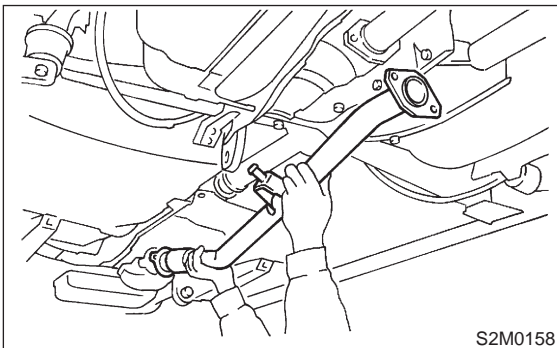
9) Install heat sealed cover.



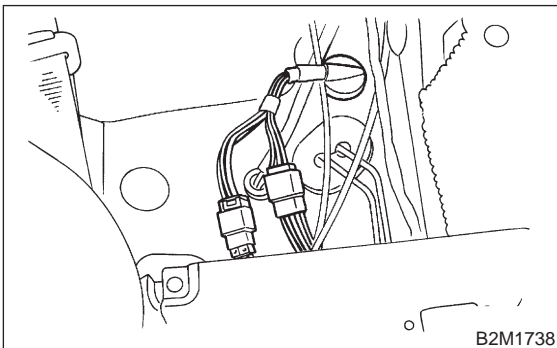
10) Install bolts which hold parking brake holding bracket.



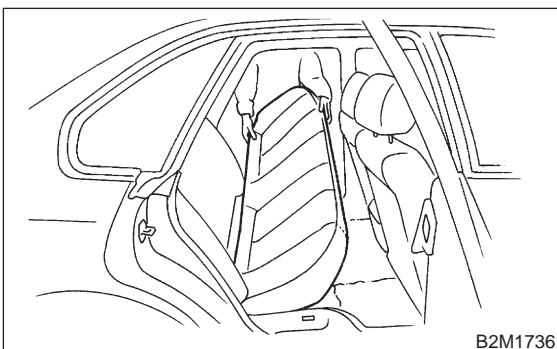
11) Install rear exhaust pipe. <Ref. to 2-9 [W3B0].>



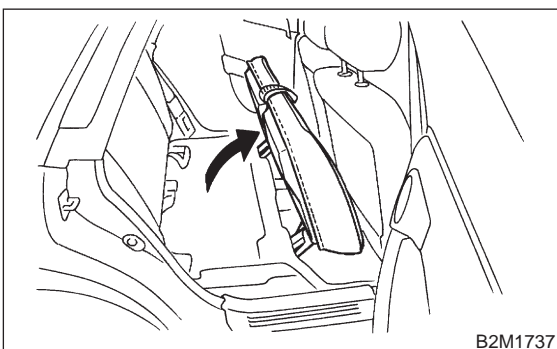
12) Lower the vehicle.
13) Connect connectors to fuel tank harness, and plug access hole with grommet.



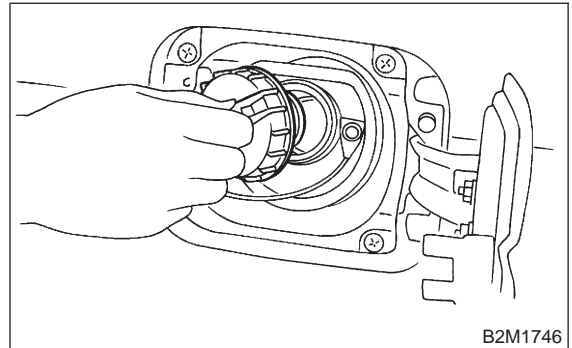
14) Install rear seat cushion. (Sedan model) <Ref. to 5-3 [W2B1].>



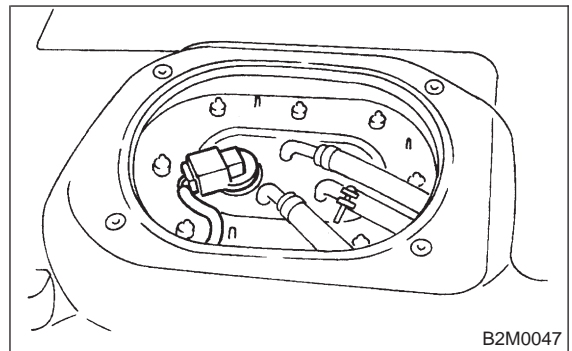
15) Set rear seat cushion. (Wagon model) <Ref. to 5-3 [W2B2].>



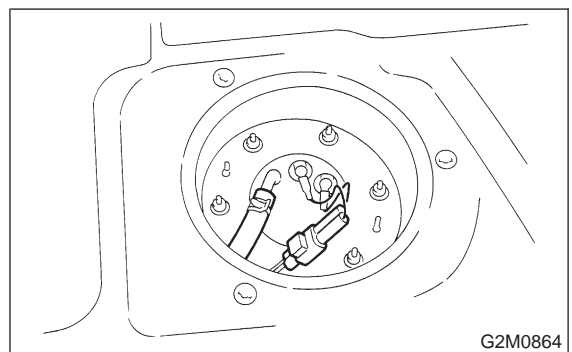
16) Install fuel filler cap.



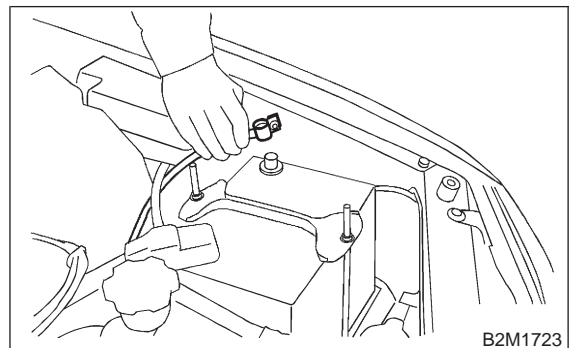
17) Install fuel pump, and connect connector and fuel hoses. <Ref. to 2-8 [W5C0].>



18) Install fuel sub meter unit, and connect connector and jet pump hose. (AWD model only) <Ref. to 2-8 [W9A0].>

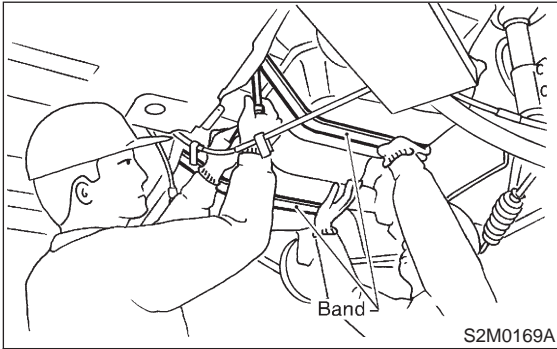


19) Connect battery ground cable.

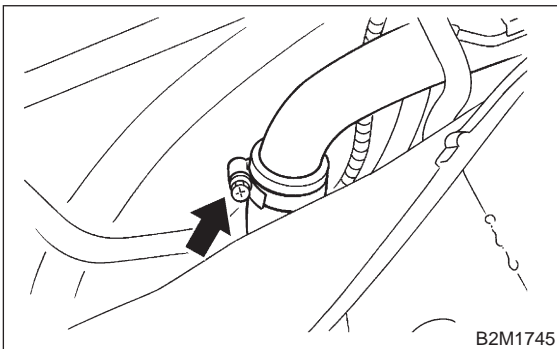


2. 2200 cc AWD EXCEPT TAIWAN SPEC. VEHICLES

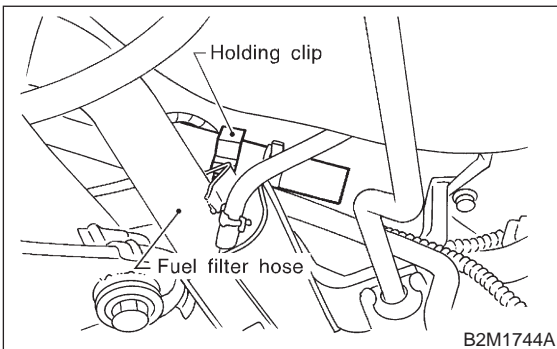
- 1) While a helper holds fuel tank, push fuel tank harness into access hole with grommet.
- 2) Set fuel tank, and temporary tighten bolts for installing fuel tank bands.



- 3) Connect fuel filler hose, and tighten clamp.



- 4) Install two evaporation hoses to holding clip.



- 5) Install hose and hold down clips at positions indicated in Figure.

Tightening torque:

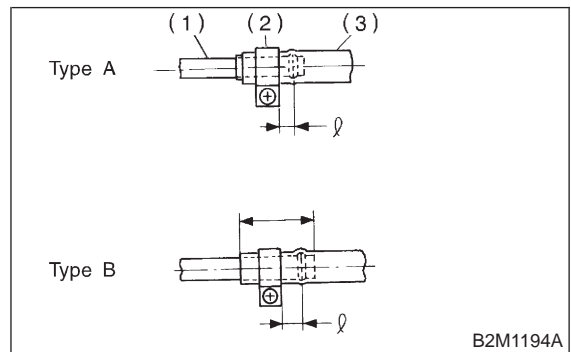
$$1.0^{+0.5}/_{-0} \text{ N-m } (0.1^{+0.05}/_{-0} \text{ kg-m, } 0.7^{+0.4}/_{-0} \text{ ft-lb)}$$

Type A: When fitting length is specified.

Type B: When fitting length is not specified.

$$\ell : 1.0 - 4.0 \text{ mm } (0.039 - 0.157 \text{ in})$$

$$L : 20 - 25 \text{ mm } (0.79 - 0.98 \text{ in})$$



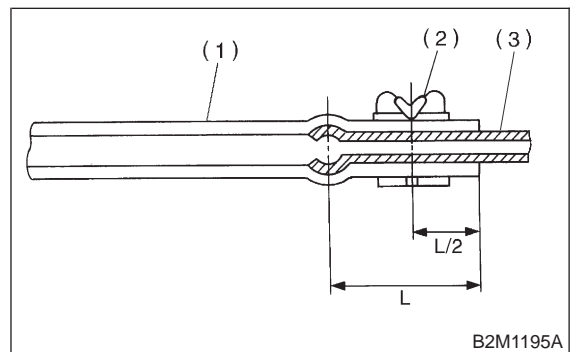
- (1) Fitting
- (2) Clamp
- (3) Hose

Fuel return hose:

$$L = 20 - 25 \text{ mm } (0.79 - 0.98 \text{ in})$$

Evaporation hose:

$$L = 15 - 20 \text{ mm } (0.59 - 0.79 \text{ in})$$

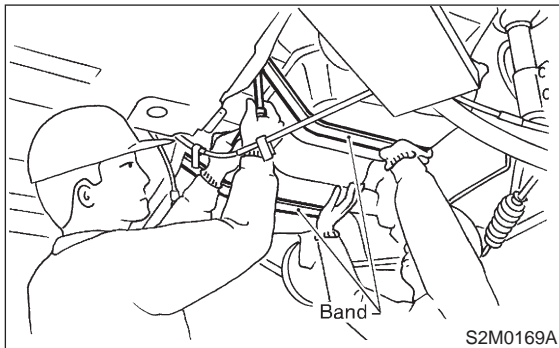


- (1) Hose
- (2) Clip
- (3) Pipe

6) Tighten band mounting bolts.

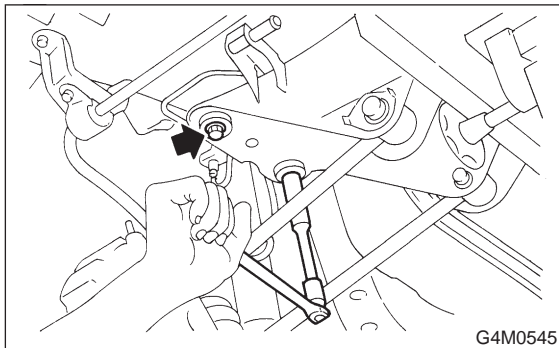
Tightening torque:

$33 \pm 10 \text{ N}\cdot\text{m}$ ($3.4 \pm 1.0 \text{ kg}\cdot\text{m}$, $25 \pm 7 \text{ ft}\cdot\text{lb}$)



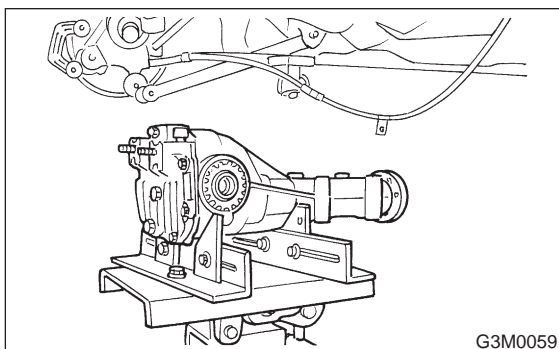
S2M0169A

7) Install rear crossmember. <Ref. to 4-1 [W11C0].>



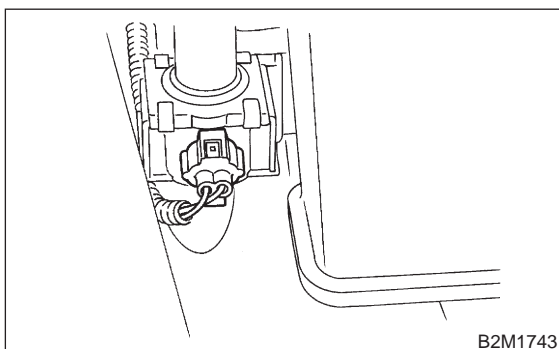
G4M0545

8) Install rear differential assembly. <Ref. to 3-4 [W2F0].>



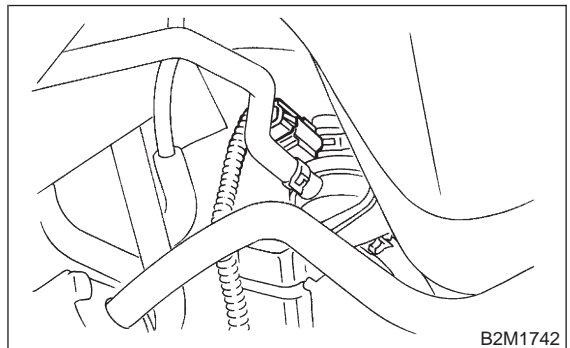
G3M0059

9) Connect connector to drain valve.



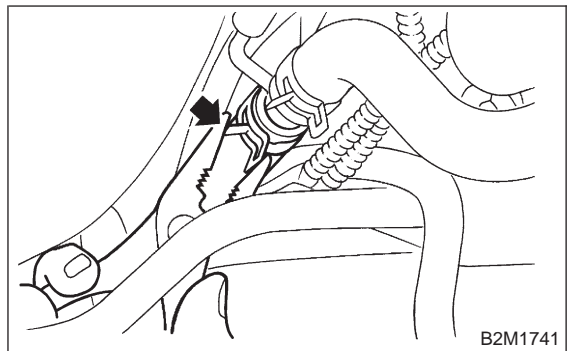
B2M1743

10) Connect connector to pressure control solenoid valve.



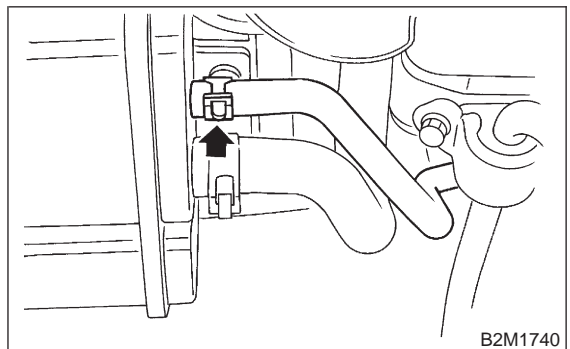
B2M1742

11) Connect hose to joint pipe.



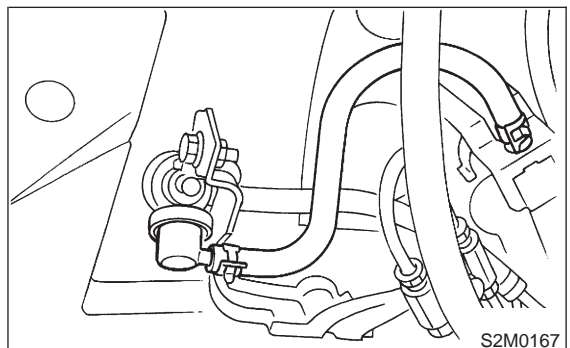
B2M1741

12) Connect evaporation hose to canister, and hold them with clip.



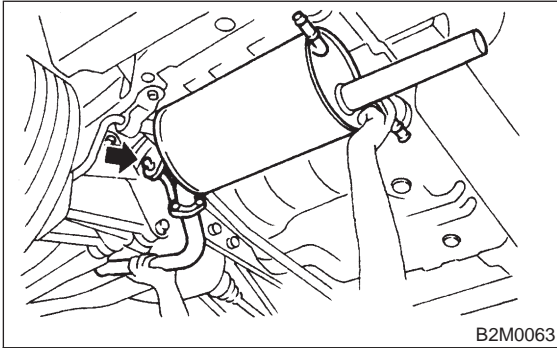
B2M1740

13) Connect hoses to roll over valve.

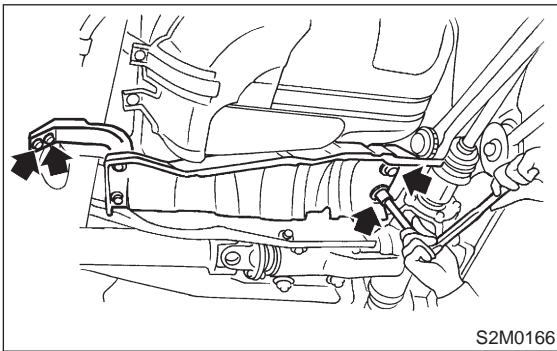


S2M0167

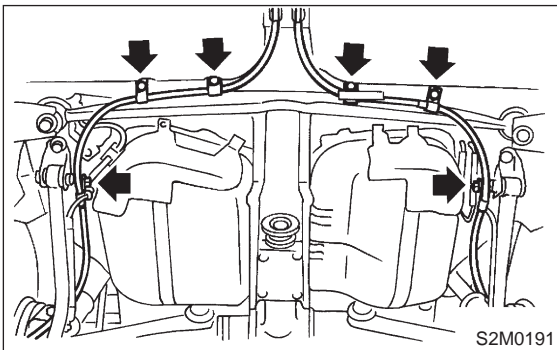
14) Install muffler assembly. <Ref. to 2-9 [W4A0].>



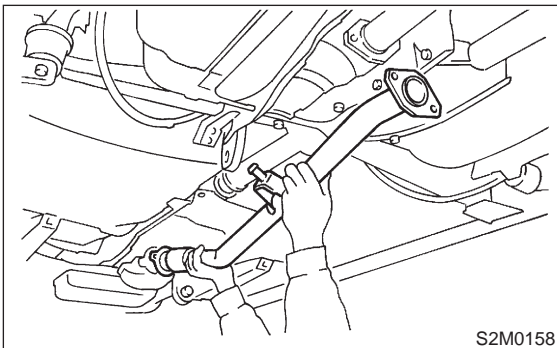
15) Install heat sealed cover.



16) Install bolts which hold parking brake holding bracket.

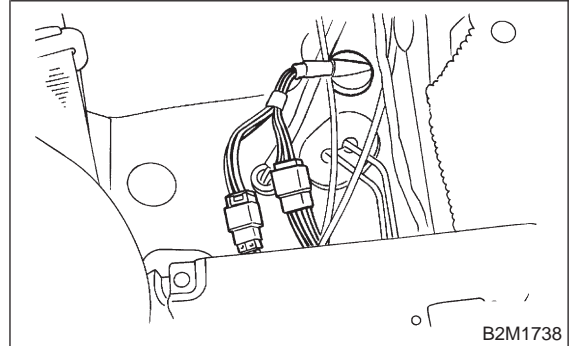


17) Install rear exhaust pipe. <Ref. to 2-9 [W3B0].>

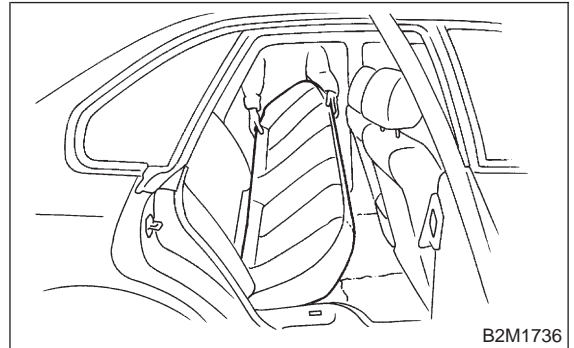


18) Lower the vehicle.

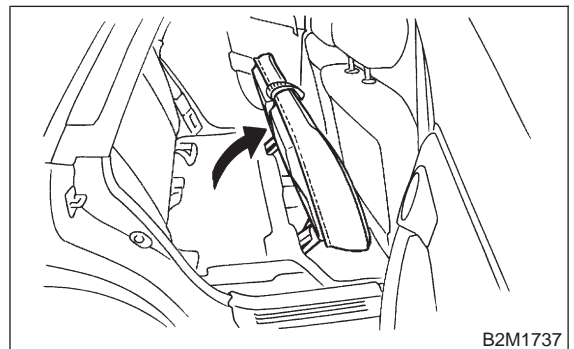
19) Connect connectors to fuel tank harness, and plug access hole with grommet.



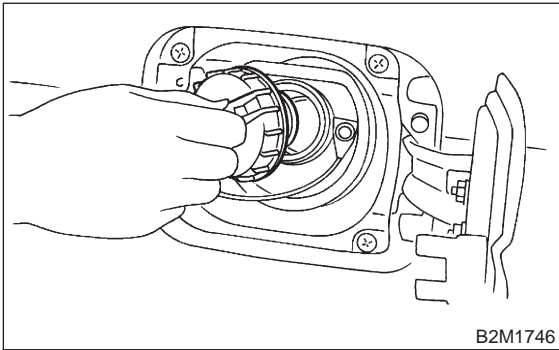
20) Install rear seat cushion. (Sedan model) <Ref. to 5-3 [W2B1].>



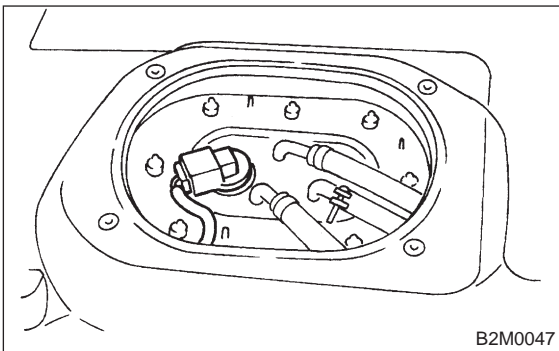
21) Set rear seat cushion. (Wagon model) <Ref. to 5-3 [W2B2].>



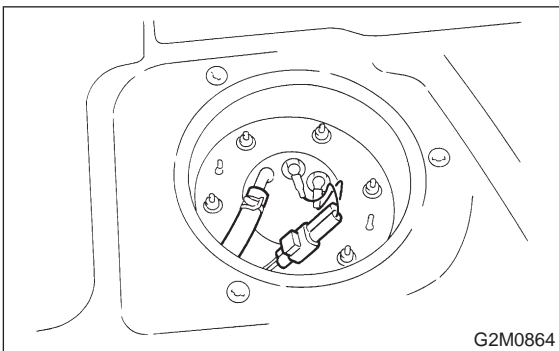
22) Install fuel filler cap.



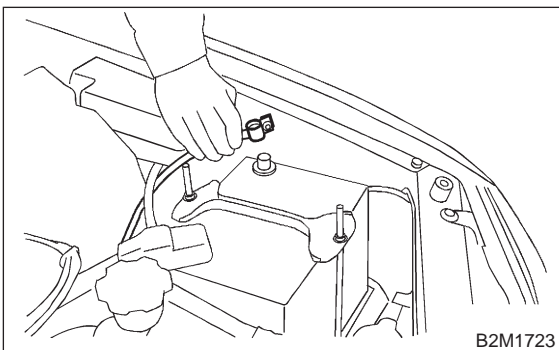
23) Install fuel pump, and connect connector and fuel hoses. <Ref. to 2-8 [W5C0].>



24) Install fuel sub meter unit, and connect connector and jet pump hose. <Ref. to 2-8 [W9A0].>

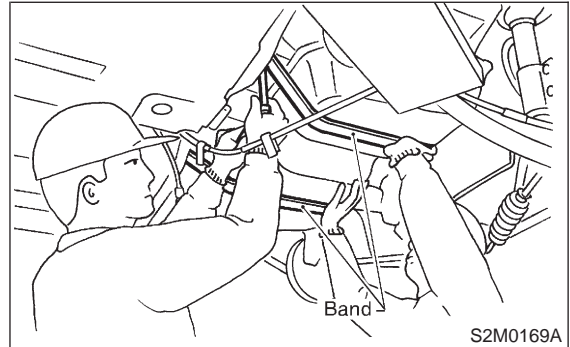


25) Connect battery ground cable.

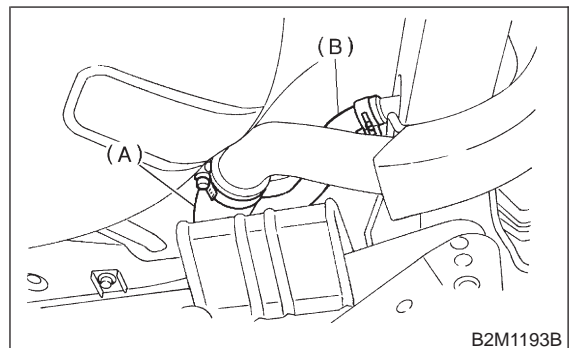


3. 2500 cc MODEL

- 1) While a helper holds fuel tank, push fuel tank harness into access hole with grommet.
- 2) Set fuel tank, and temporary tighten bolts for installing fuel tank bands.



3) Connect fuel filler hose (A) and air vent hose (B).



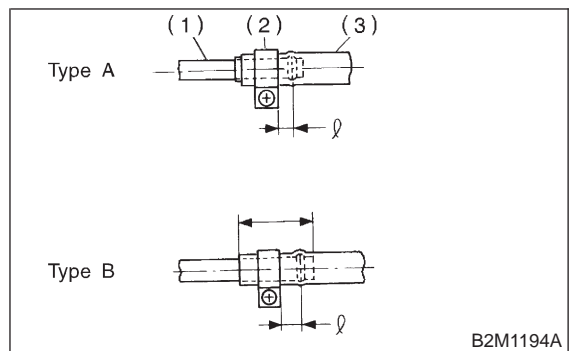
4) Install hose and hold down clips at positions indicated in Figure.

Tightening torque:
 $1.0^{+0.5}/_{-0}$ N-m ($0.1^{+0.05}/_{-0}$ kg-m, $0.7^{+0.4}/_{-0}$ ft-lb)

Type A: When fitting length is specified.
 Type B: When fitting length is not specified.

l : 1.0 — 4.0 mm (0.039 — 0.157 in)

L : 20 — 25 mm (0.79 — 0.98 in)



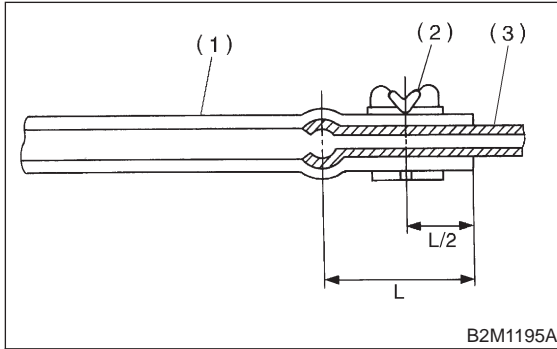
- (1) Fitting
- (2) Clamp
- (3) Hose

Fuel return hose:

$L = 20 - 25 \text{ mm (0.79 - 0.98 in)}$

Evaporation hose:

$L = 15 - 20 \text{ mm (0.59 - 0.79 in)}$



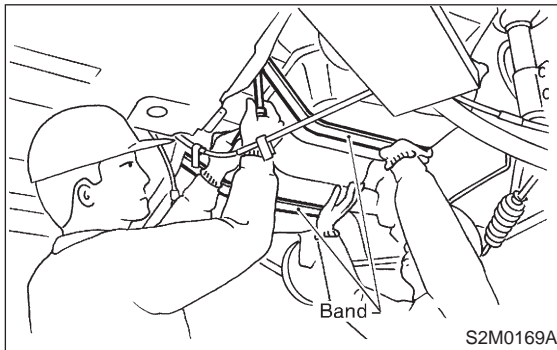
B2M1195A

- (1) Hose
- (2) Clip
- (3) Pipe

5) Tighten band mounting bolts.

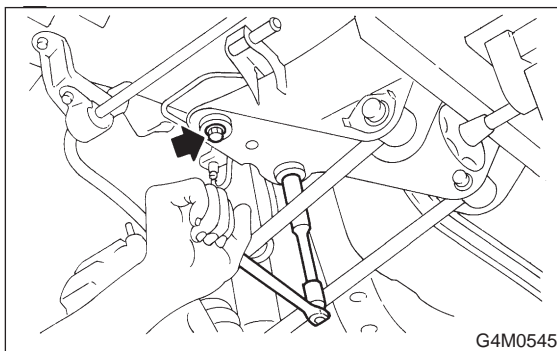
Tightening torque:

$33 \pm 10 \text{ N}\cdot\text{m (3.4 \pm 1.0 kg}\cdot\text{m, 25 \pm 7 ft}\cdot\text{lb)}$



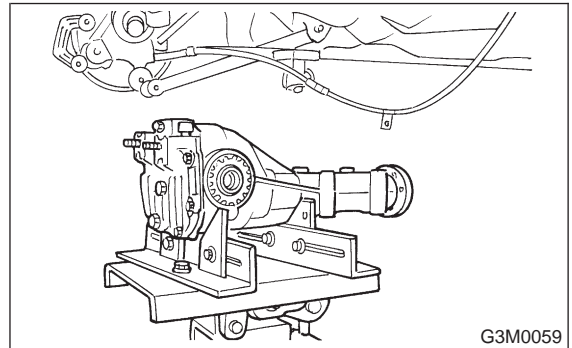
S2M0169A

6) Install rear crossmember. <Ref. to 4-1 [W11C0].>



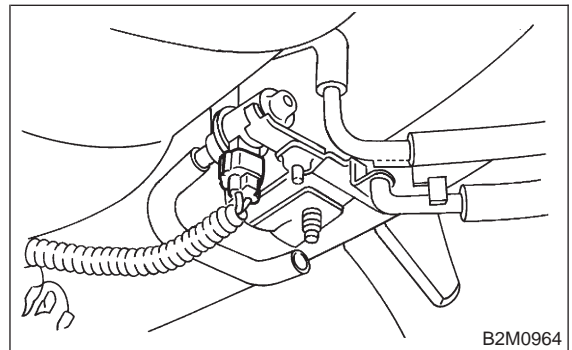
G4M0545

7) Install rear differential assembly. <Ref. to 3-4 [W2F0].>



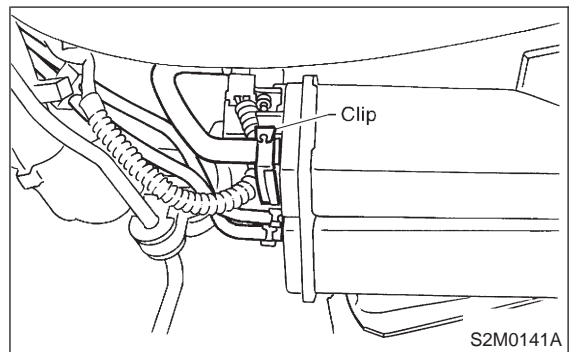
G3M0059

8) Connect connector to vent control solenoid valve.



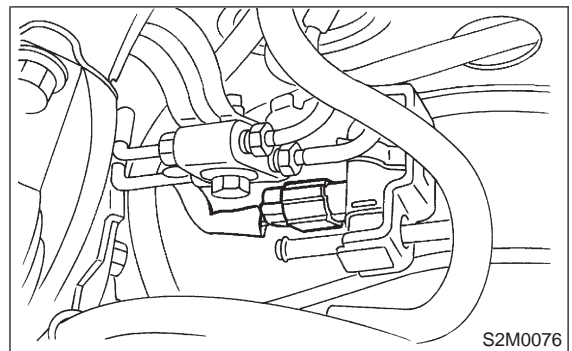
B2M0964

9) Connect evaporation hose to canister, and hold them with clip.



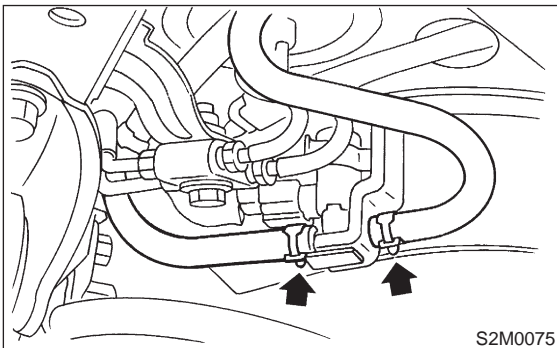
S2M0141A

10) Connect connector to pressure control solenoid valve.

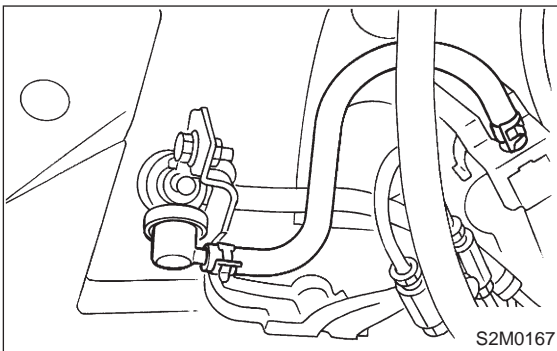


S2M0076

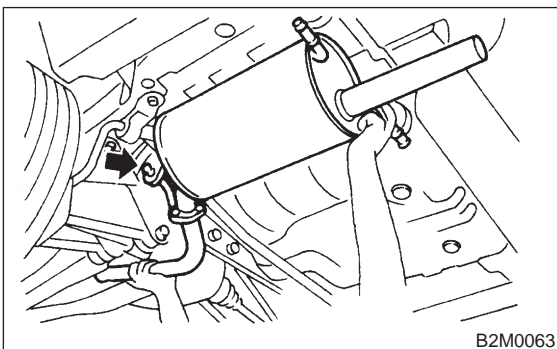
11) Connect hoses to pressure control solenoid valve.



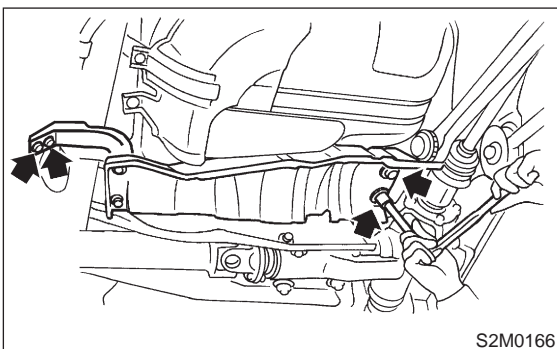
12) Connect hoses to roll over valve.



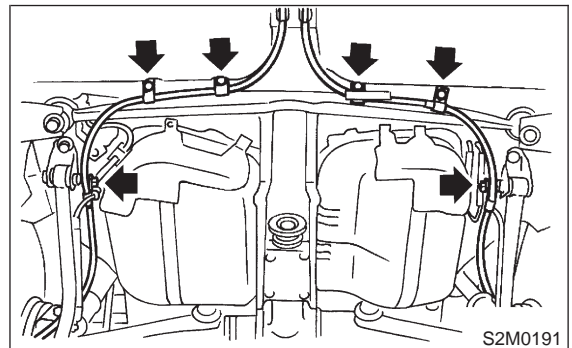
13) Install muffler assembly. <Ref. to 2-9 [W4A0].>



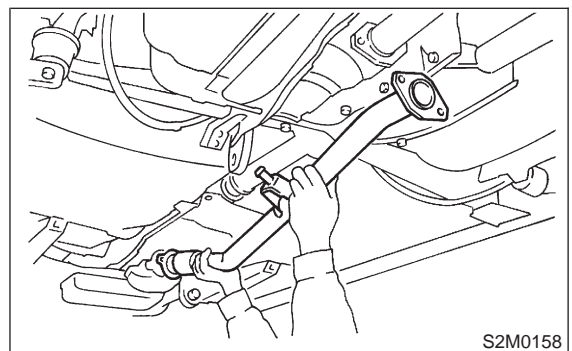
14) Install heat sealed cover.



15) Install bolts which hold parking brake holding bracket.

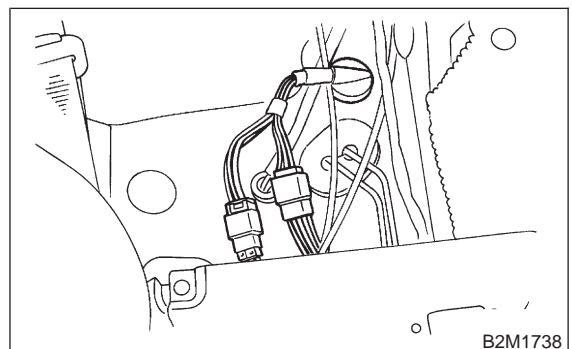


16) Install rear exhaust pipe. <Ref. to 2-9 [W3B0].>

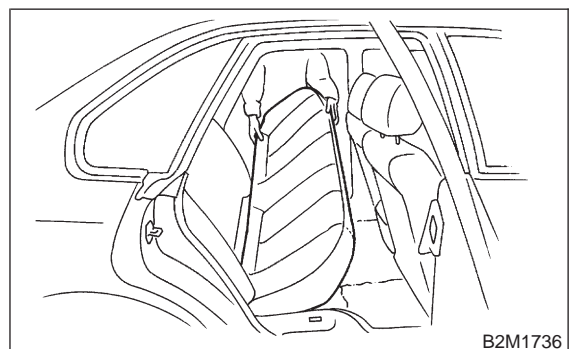


17) Lower the vehicle.

18) Connect connectors to fuel tank harness, and plug access hole with grommet.



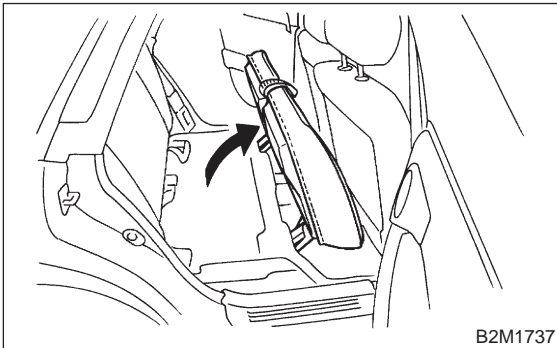
19) Install rear seat cushion. (Sedan model) <Ref. to 5-3 [W2B1].>



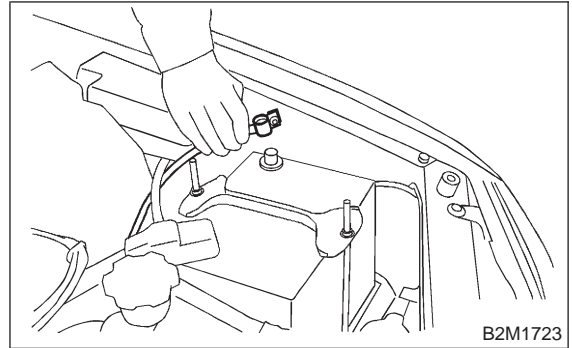
2-8 [W2B3]
2. Fuel Tank

SERVICE PROCEDURE

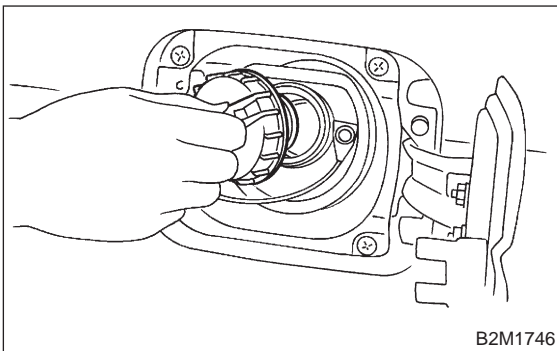
20) Set rear seat cushion. (Wagon model) <Ref. to 5-3 [W2B2].>



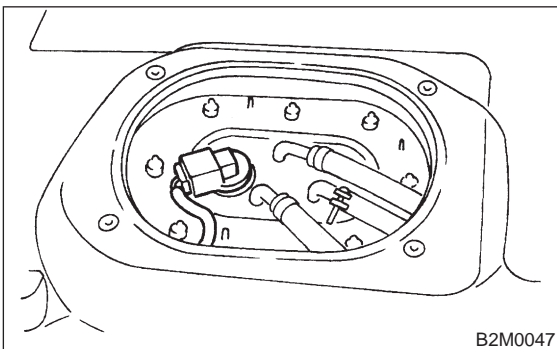
24) Connect battery ground cable.



21) Install fuel filler cap.



22) Install fuel pump, and connect connector and fuel hoses. <Ref. to 2-8 [W5C0].>



23) Install fuel sub meter unit, and connect connector and jet pump hose. <Ref. to 2-8 [W9A0].>

