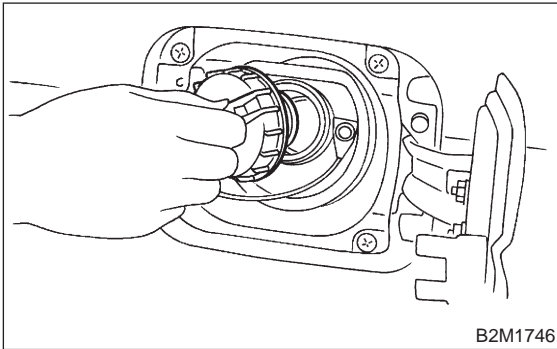


### 3. Fuel Filler Pipe

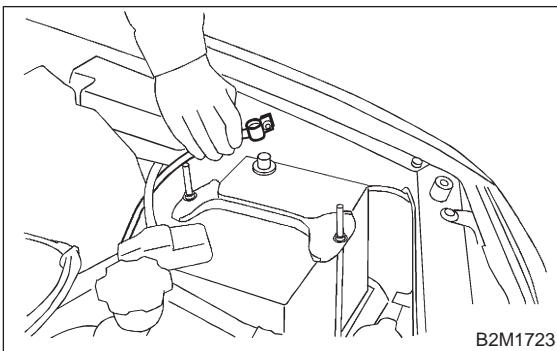
#### A: REMOVAL

##### 1. 2200 cc FWD MODEL, 2500 cc MODEL AND TAIWAN SPEC. VEHICLES

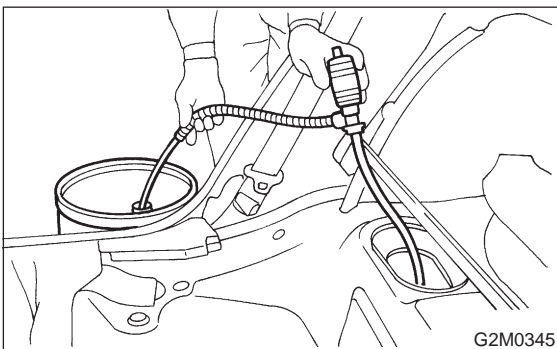
- 1) Release fuel pressure. <Ref. to 2-8 [W1B0].>
- 2) Open fuel flap lid, and remove fuel filler cap.



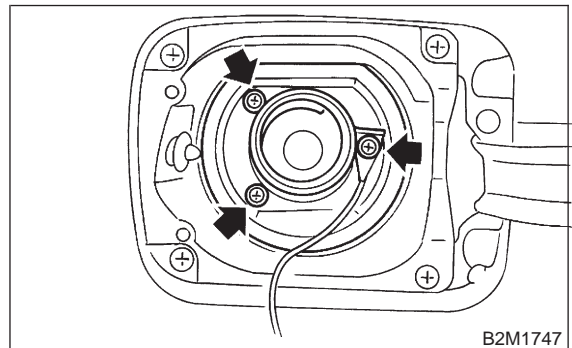
- 3) Disconnect battery ground cable.



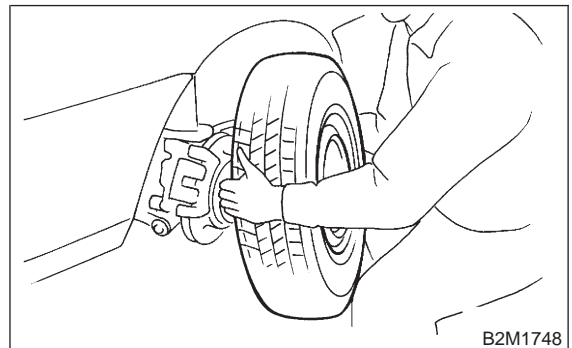
- 4) Drain fuel from fuel tank. <Ref. to 2-8 [W1C0].>



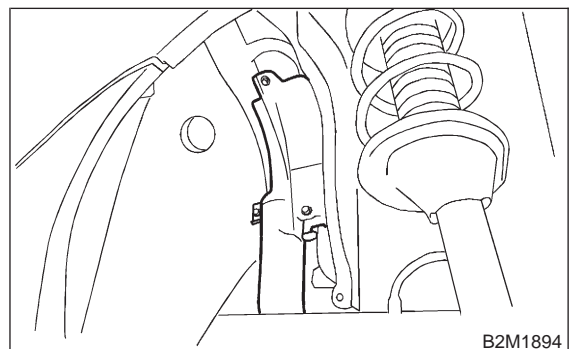
- 5) Remove screws which install fuel filler pipe on filler lid open.



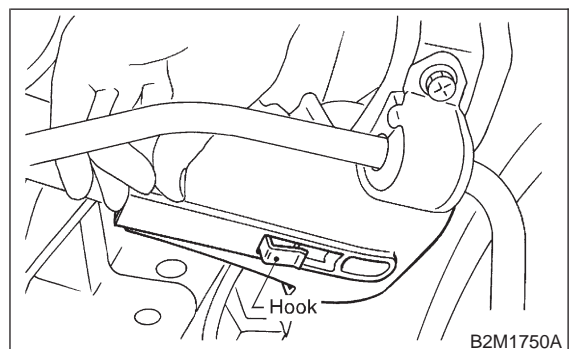
- 6) Remove wheel nuts of rear right side.
- 7) Lift-up the vehicle.
- 8) Remove rear right side wheel.



- 9) Remove bolts which install protector cover on body.



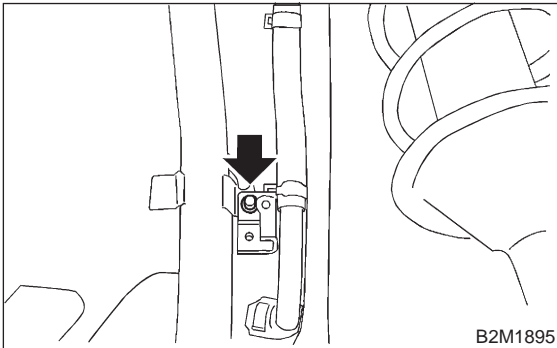
- 10) While releasing the under side of protector cover from hook, remove it.



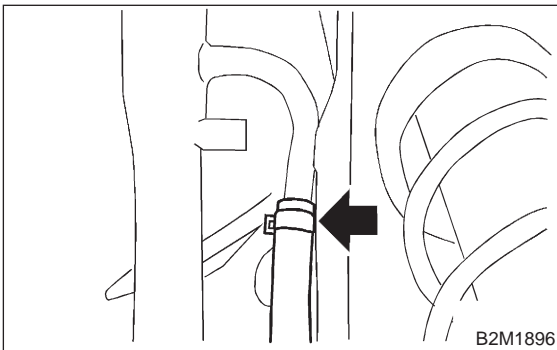
**2-8 [W3A2]**  
3. Fuel Filler Pipe

**SERVICE PROCEDURE**

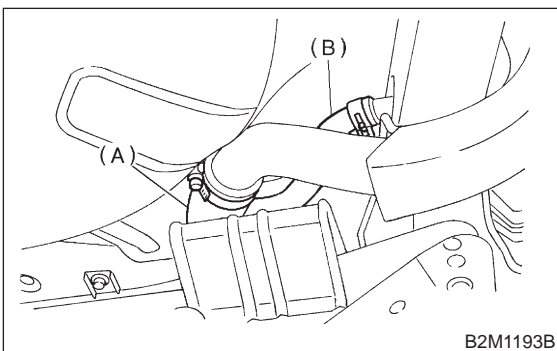
11) Remove bolts which hold fuel filler pipe bracket.



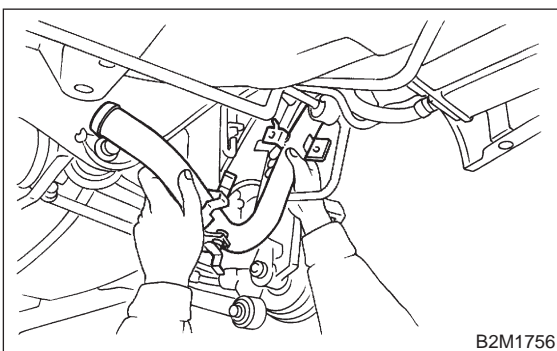
12) Move clip, and disconnect air vent hose from air vent pipe.



13) Loosen clamp, and separate air vent hose (B) and fuel filler hose (A) from air vent and fuel filler pipe.

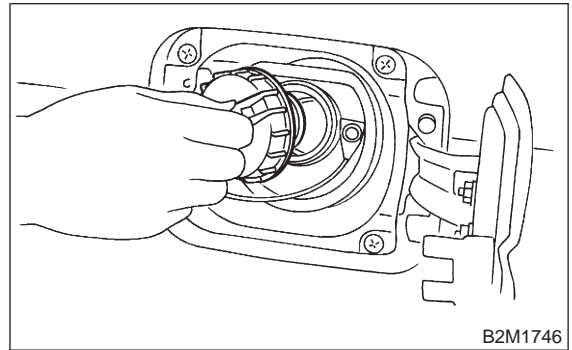


14) Remove fuel filler pipe to under side of the vehicle.

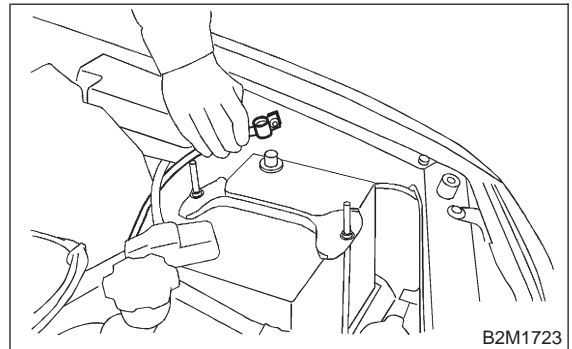


**2. 2200 cc AWD EXCEPT TAIWAN SPEC. VEHICLES**

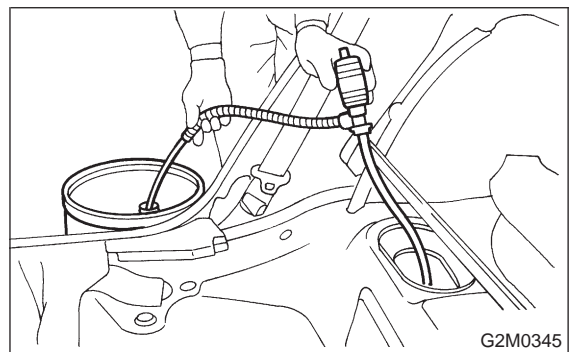
- 1) Release fuel pressure. <Ref. to 2-8 [W1B0].>
- 2) Open fuel flap lid, and remove fuel filler cap.



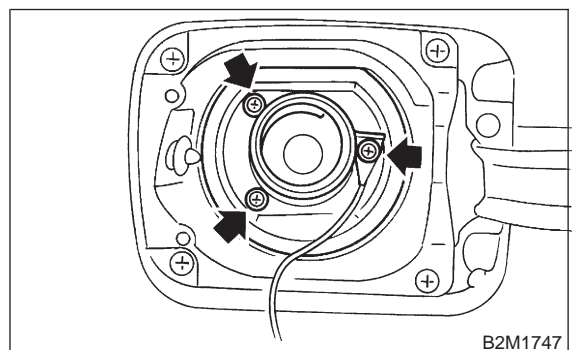
3) Disconnect battery ground cable.



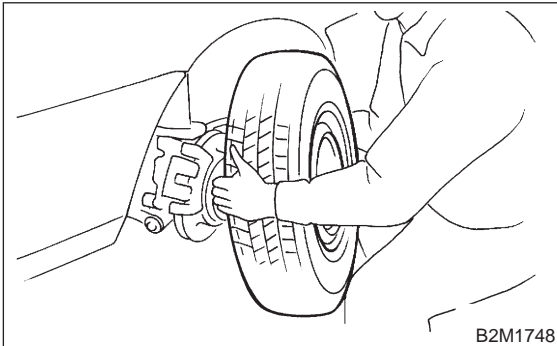
4) Drain fuel from fuel tank. <Ref. to 2-8 [W1C0].>



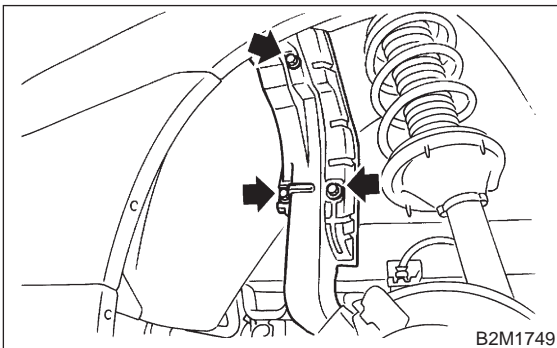
5) Remove screws which install fuel filler pipe on filler lid open.



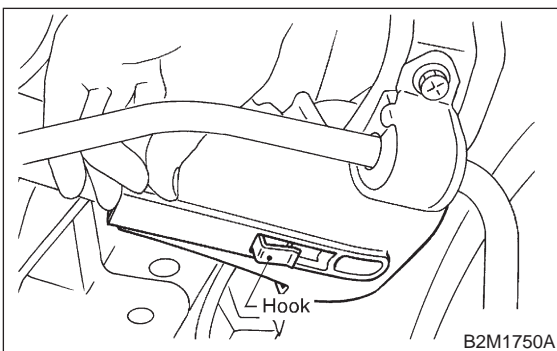
- 6) Remove wheel nuts of rear right side.
- 7) Lift-up the vehicle.
- 8) Remove rear right side wheel.



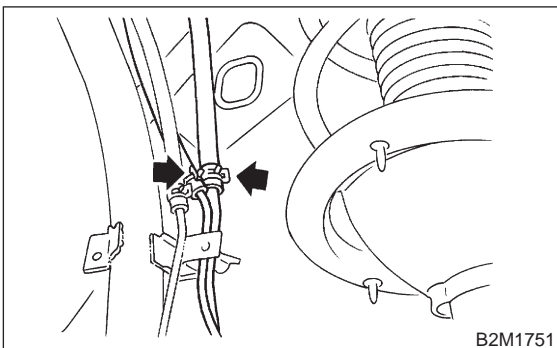
- 9) Remove bolts which install protector cover on body.



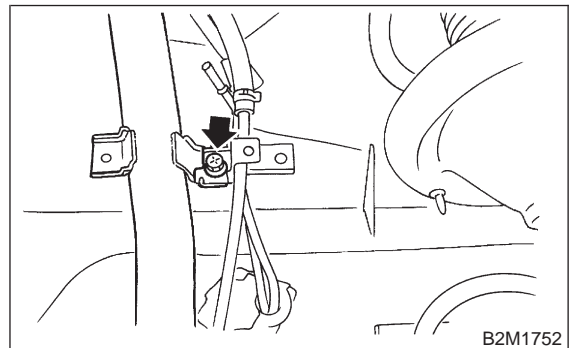
- 10) While releasing the under side of protector cover from hook, remove it.



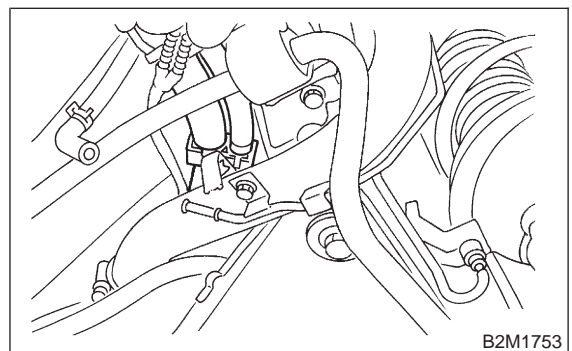
- 11) Disconnect evaporation hoses from pipes.



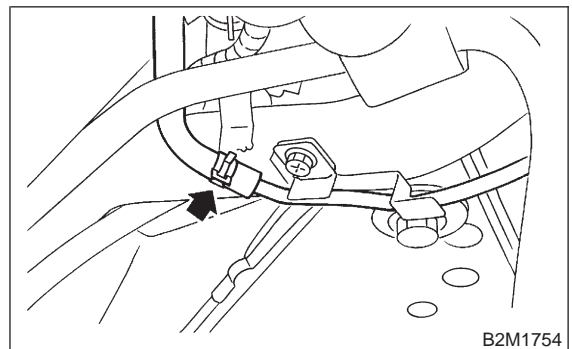
- 12) Remove bolts which hold fuel filler pipe bracket.



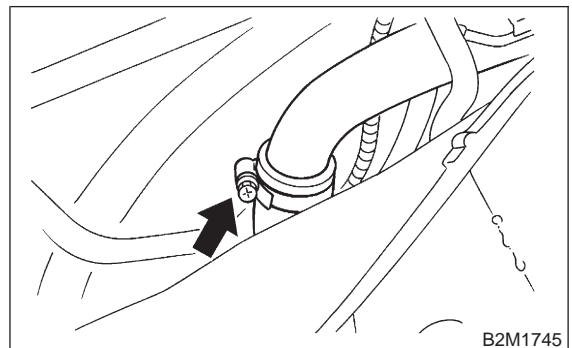
- 13) Lift-up the vehicle more.
- 14) Remove two evaporation hoses from clip.



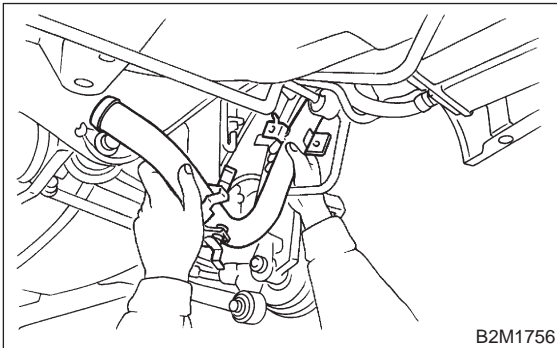
- 15) Disconnect evaporation hose from joint pipe.



- 16) Loosen clamp, and disconnect fuel filler hose from fuel filler pipe.



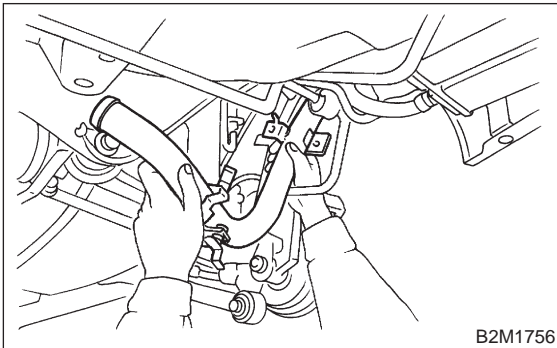
17) Remove fuel filler pipe to under side of vehicle.



**B: INSTALLATION**

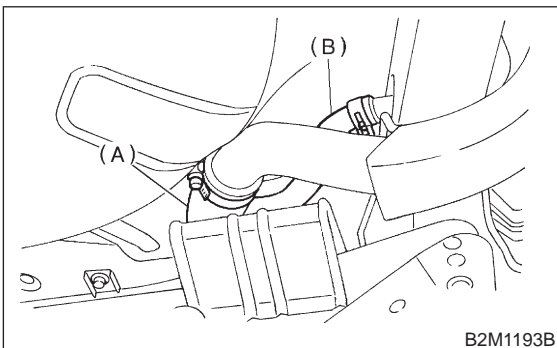
**1. 2200 cc FWD MODEL, 2500 cc MODEL AND TAIWAN SPEC. VEHICLES**

1) Set fuel filler pipe from under side of vehicle, and hold it on fuel filler flap open.



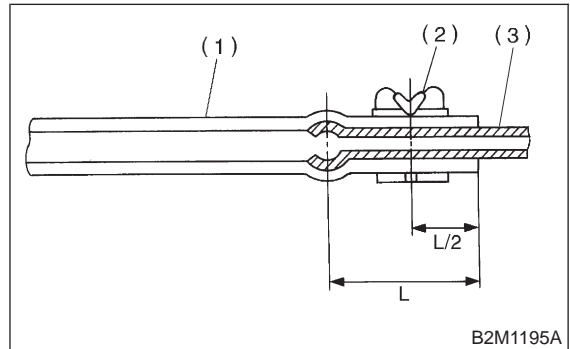
2) Insert fuel filler hose (A) approximately 25 to 30 mm (0.98 to 1.18 in) over the lower end of fuel filler pipe and tighten clamp.

**CAUTION:**  
Do not allow clips to touch air vent hose (B) and rear suspension crossmember.



3) Insert air vent hose approximately 25 to 30 mm (0.98 to 1.18 in) into the lower end of air vent pipe and hold clip.

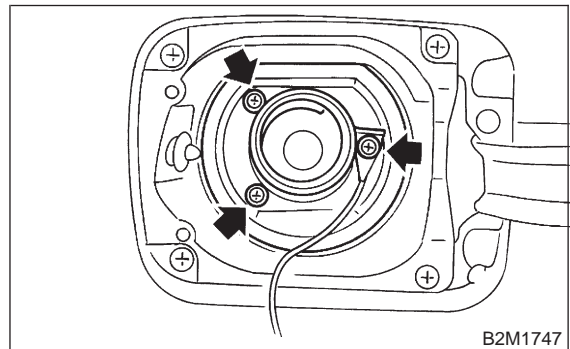
***L = 25 — 30 mm (0.98 — 1.18 in)***



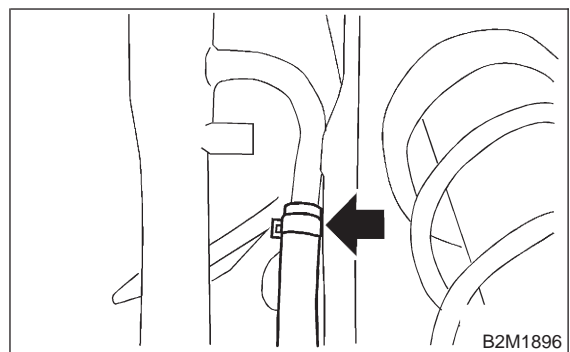
- (1) Hose
- (2) Clip
- (3) Pipe

4) Lower the vehicle.

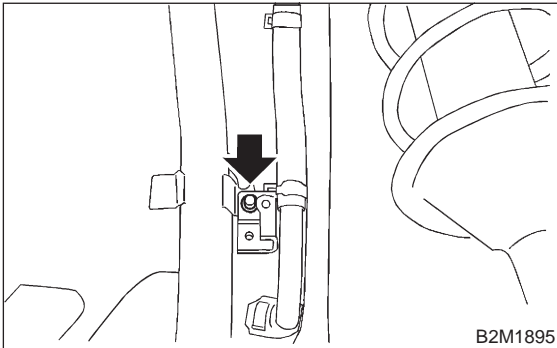
5) Temporarily tighten screws which install fuel filler pipe on filler lid open.



6) Connect air vent hose to air vent pipe.

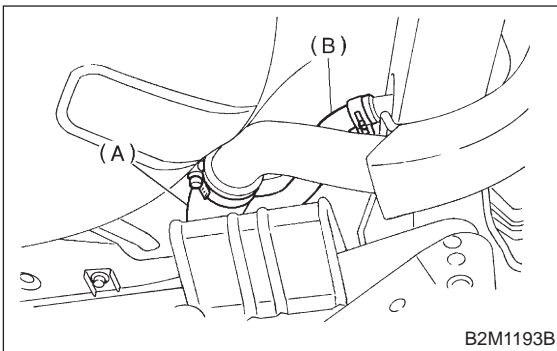


7) Tighten bolt which holds fuel filler pipe on body.



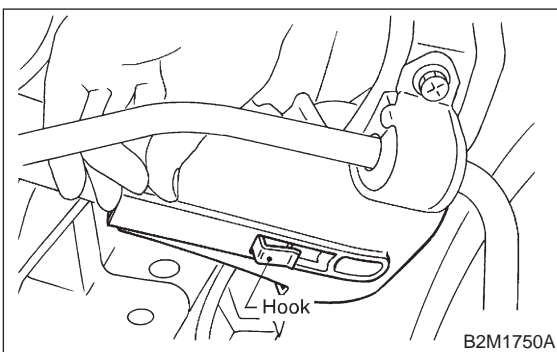
8) Lift-up the vehicle.

9) Tighten clamp bolt which holds fuel filler hose.

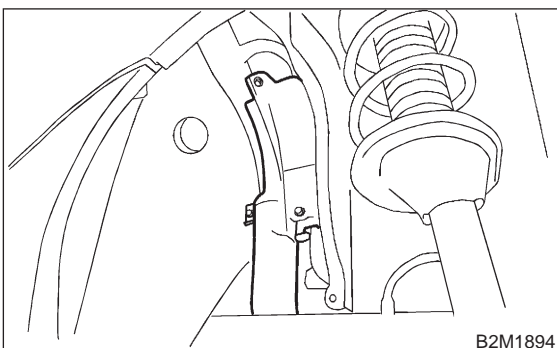


10) Lower the vehicle.

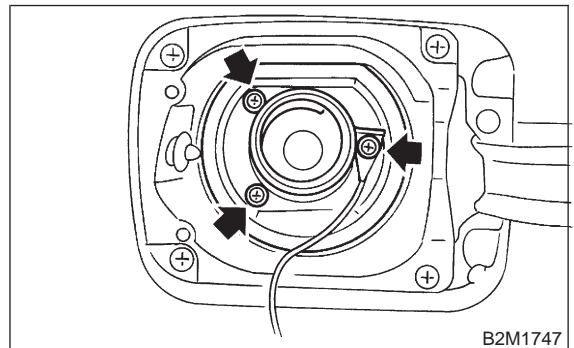
11) While holding the under side of protector cover on bracket, install protector cover.



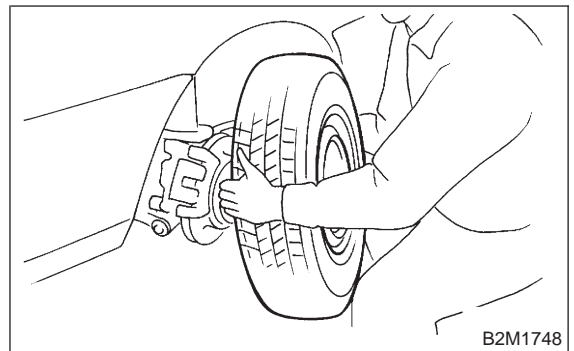
12) Tighten bolts which install protector cover on body.



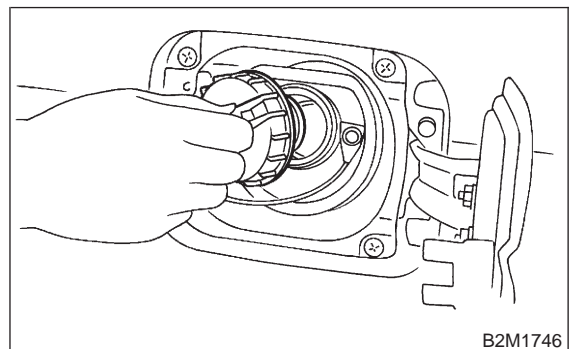
13) Tighten screws which install fuel filler pipe on filler lid open.



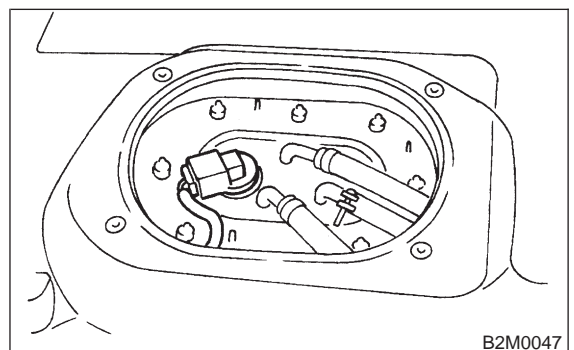
14) Install rear right wheel.



15) Install fuel filler cap.



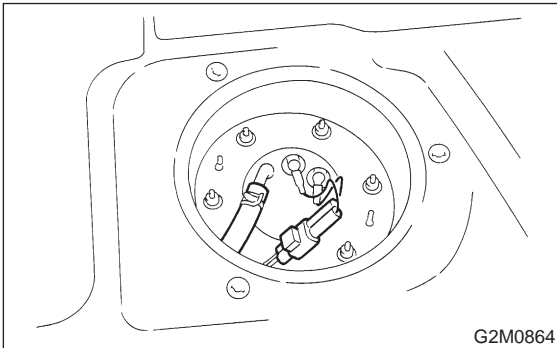
16) Install fuel pump, and connect connector and fuel hoses. <Ref. to 2-8 [W5C0].>



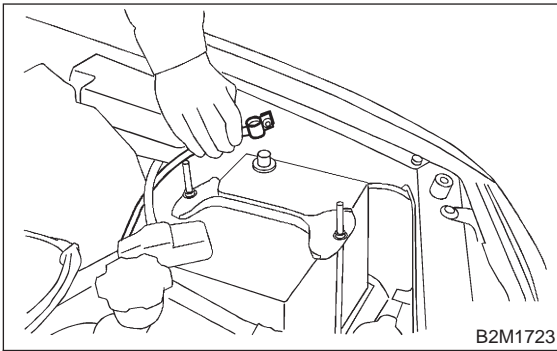
**2-8 [W3B2]**  
3. Fuel Filler Pipe

**SERVICE PROCEDURE**

17) Install fuel sub meter unit, and connect connector and jet pump hose. <Ref. to 2-8 [W9A0].>

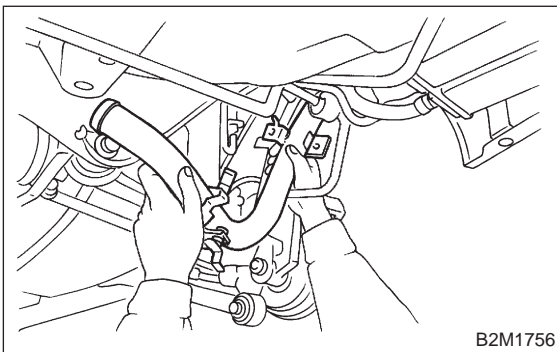


18) Connect battery ground terminal.

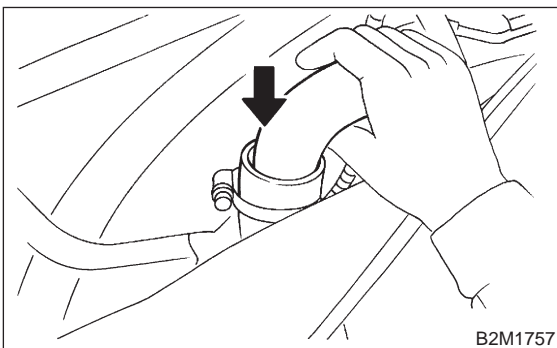


**2. 2200 cc AWD EXCEPT TAIWAN SPEC. VEHICLES**

1) Set fuel filler pipe from under side of vehicle, and hold it on fuel filler flap open.

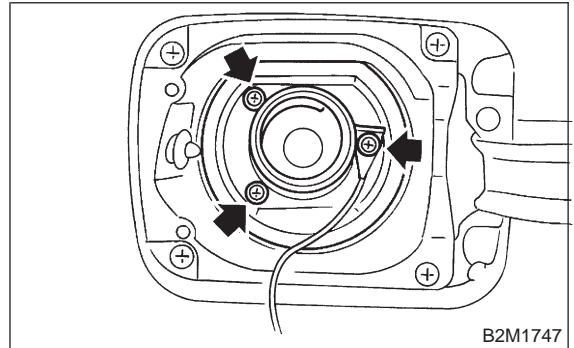


2) Connect fuel filler pipe into fuel filler hose.

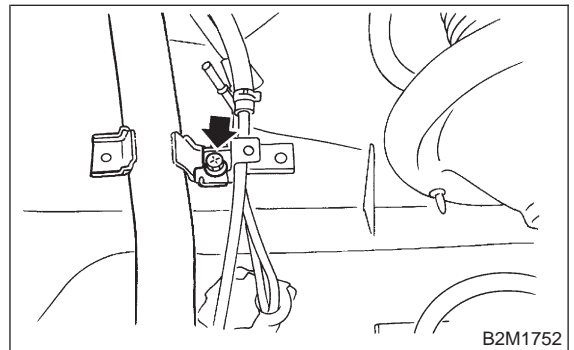


3) Lower the vehicle.

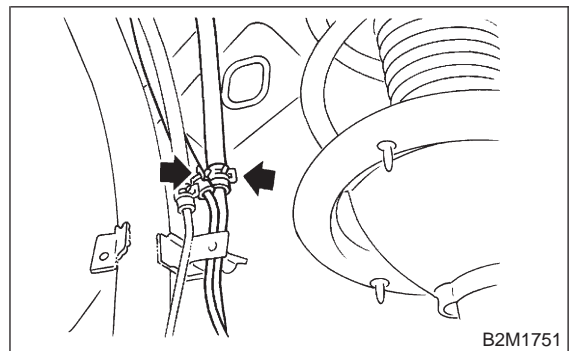
4) Temporarily tighten screws which install fuel filler pipe on filler lid open.



5) Tighten bolt which holds fuel filler pipe on body.

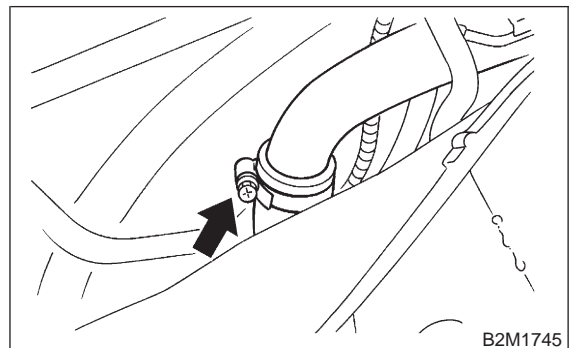


6) Connect evaporation hoses to pipes.

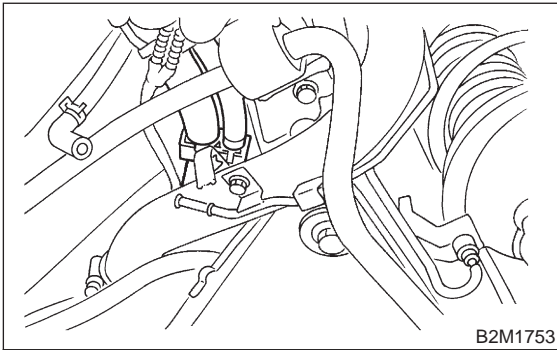


7) Lift-up the vehicle.

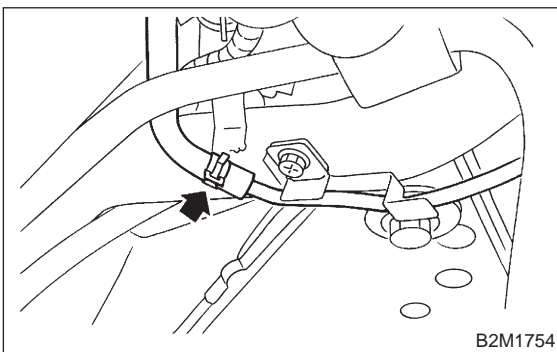
8) Tighten clamp bolt which holds fuel filler hose.



9) Install two evaporation hoses to clip.

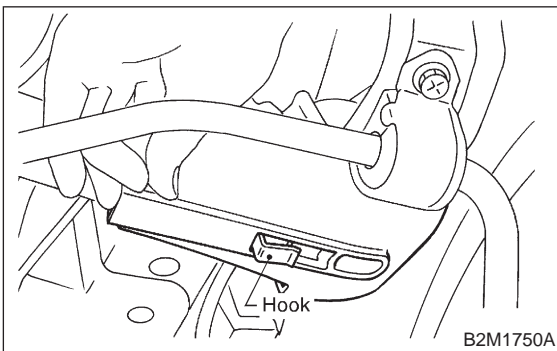


10) Connect evaporation hose to joint pipe.

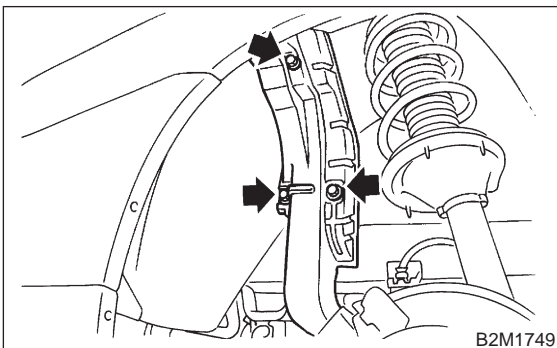


11) Lower the vehicle.

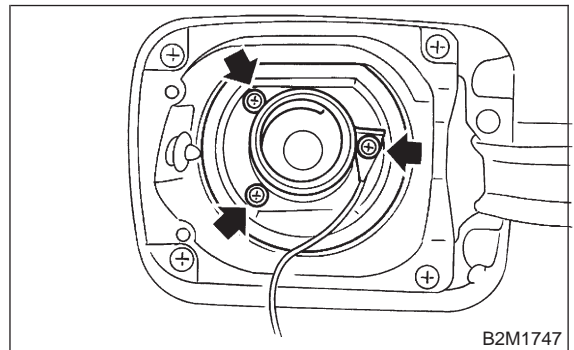
12) While holding the under side of protector cover on bracket, install it.



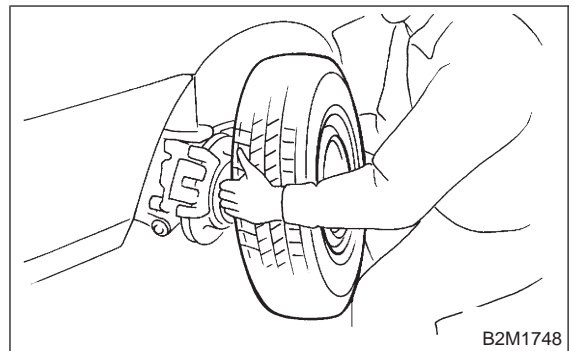
13) Tighten bolts which install protector cover on body.



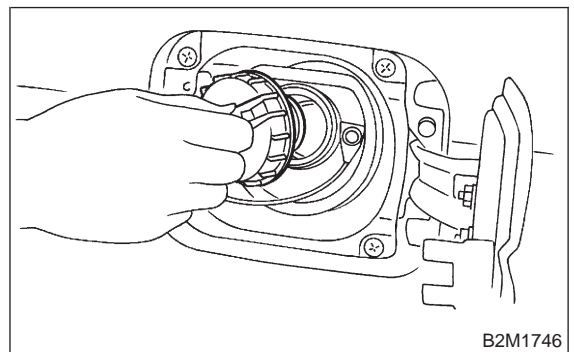
14) Tighten screws which install fuel filler pipe on filler lid open.



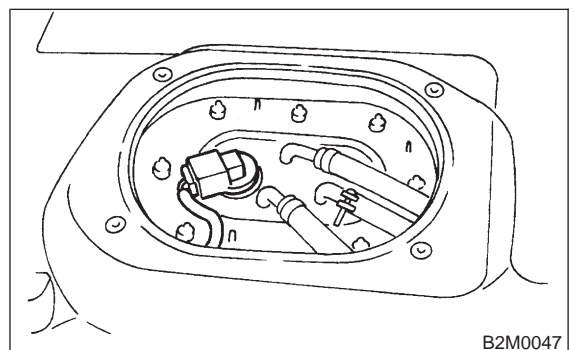
15) Install rear right wheel.



16) Install fuel filler cap.



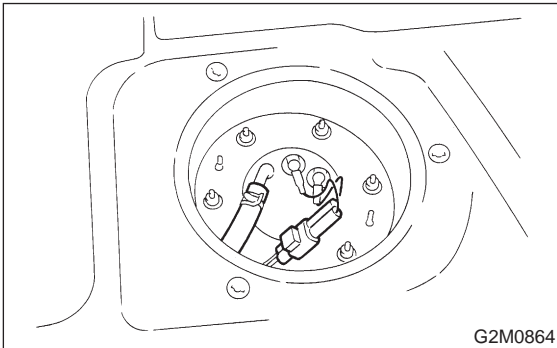
17) Install fuel pump, and connect connector and fuel hoses. <Ref. to 2-8 [W5C0].>



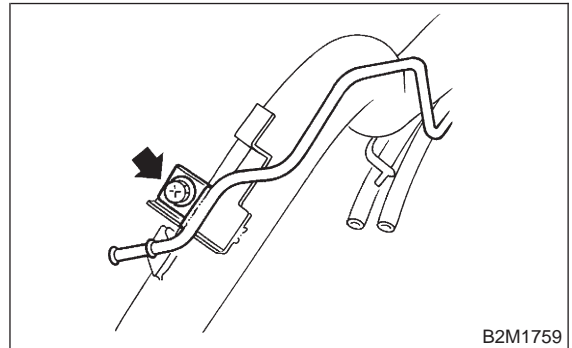
**2-8 [W3C0]**  
3. Fuel Filler Pipe

**SERVICE PROCEDURE**

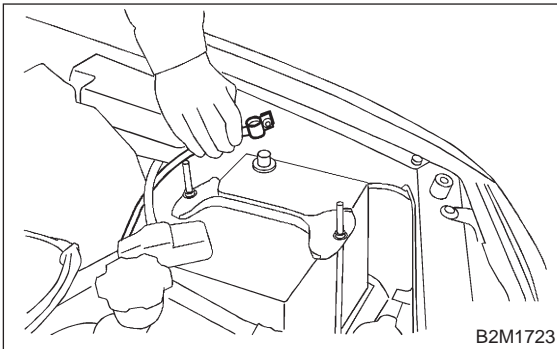
18) Install fuel sub meter unit, and connect connector and jet pump hose. <Ref. to 2-8 [W9A0].>



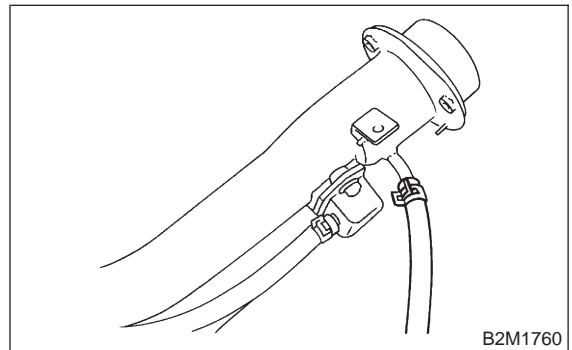
2) Remove bolt which installs joint pipe on fuel filler pipe.



19) Connect battery ground terminal.

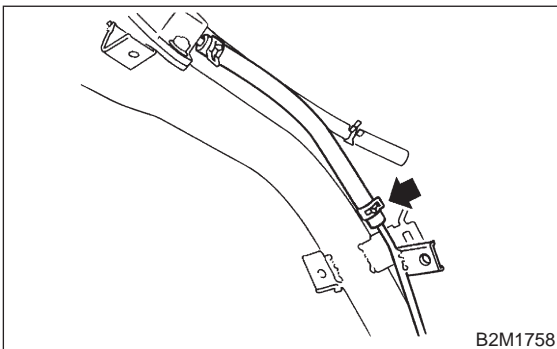


3) Disconnect evaporation hose from fuel filler pipe.

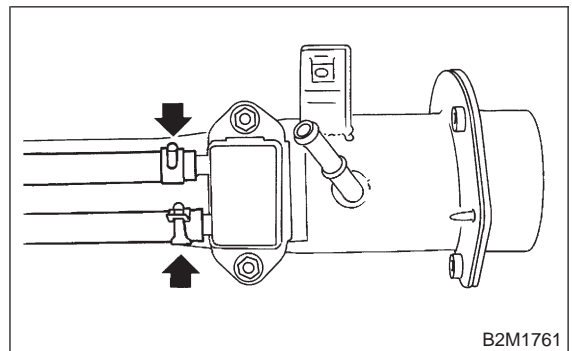


**C: DISASSEMBLY (2200 cc AWD EXCEPT TAIWAN SPEC. VEHICLES)**

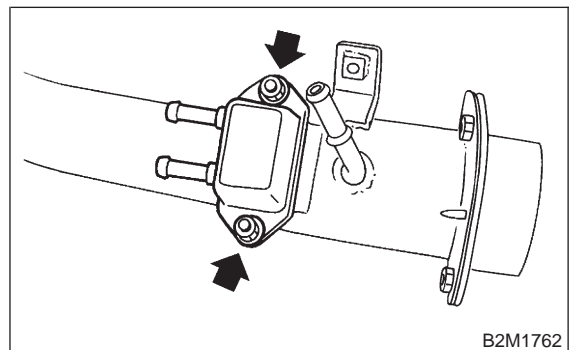
1) Move clip, and disconnect evaporation hose from joint pipe.



4) Disconnect evaporation hoses from shut valve.



5) Remove shut valve from fuel filler pipe.



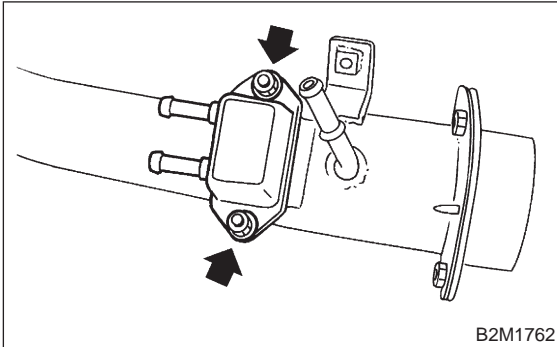


## D: ASSEMBLY (2200 cc AWD EXCEPT TAIWAN SPEC. VEHICLES)

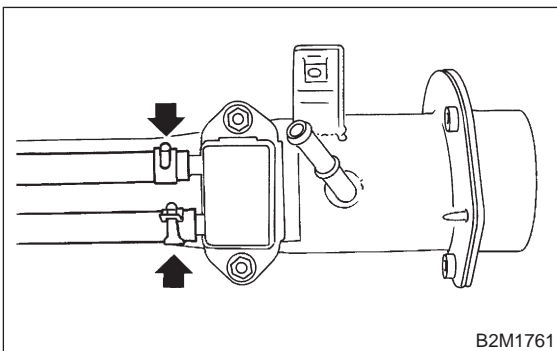
1) Install shut valve on fuel filler pipe.

**Tightening torque:**

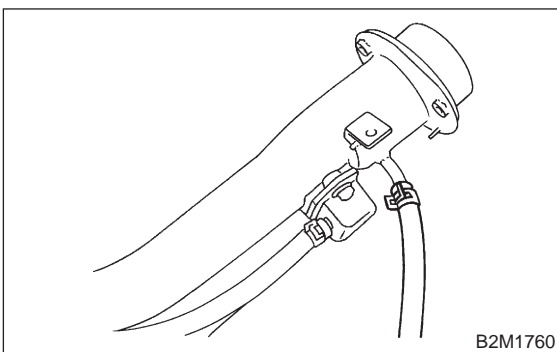
**$4.4 \pm 1.5 \text{ N}\cdot\text{m}$  ( $0.45 \pm 0.15 \text{ kg}\cdot\text{m}$ ,  $3.3 \pm 1.1 \text{ ft}\cdot\text{lb}$ )**



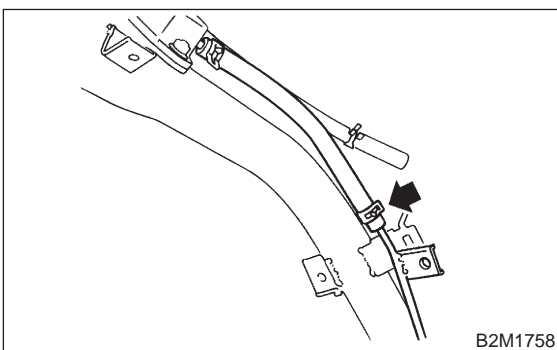
2) Connect evaporation hoses to shut valve.



3) Connect evaporation hose to fuel filler pipe.



4) Connect evaporation hose to evaporation pipe.



5) Install evaporation pipe to fuel filler pipe.

