

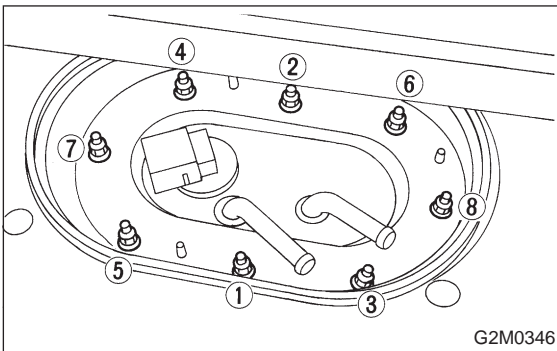
B: INSTALLATION

Installation is in the reverse order of removal. Do the following:

- (1) Always use new gaskets.
- (2) Ensure sealing portion is free from fuel or foreign particles before installation.
- (3) Tighten nuts in numerical sequence shown in Figure to specified torque.

Tightening torque:

$4.4 \pm 1.5 \text{ N}\cdot\text{m}$ ($0.45 \pm 0.15 \text{ kg}\cdot\text{m}$, $3.3 \pm 1.1 \text{ ft}\cdot\text{lb}$)

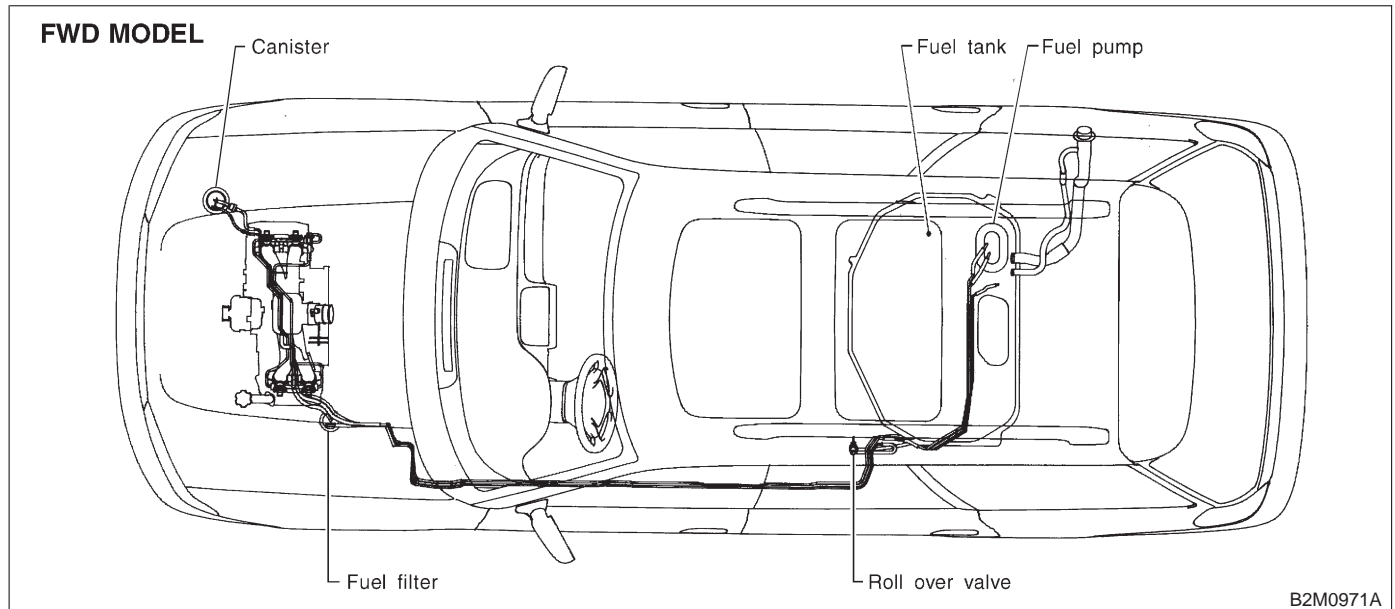


G2M0346

7. Fuel Delivery, Return and Evaporation Lines

A: REMOVAL

- 1) Release fuel pressure. <Ref. to 2-8 [W1B0].>
- 2) Remove fuel filler cap.
- 3) Remove inner trim, insulator and rear seat.
- 4) Remove fuel delivery pipes and hoses, fuel return pipes and hoses, and evaporation pipes and hoses.



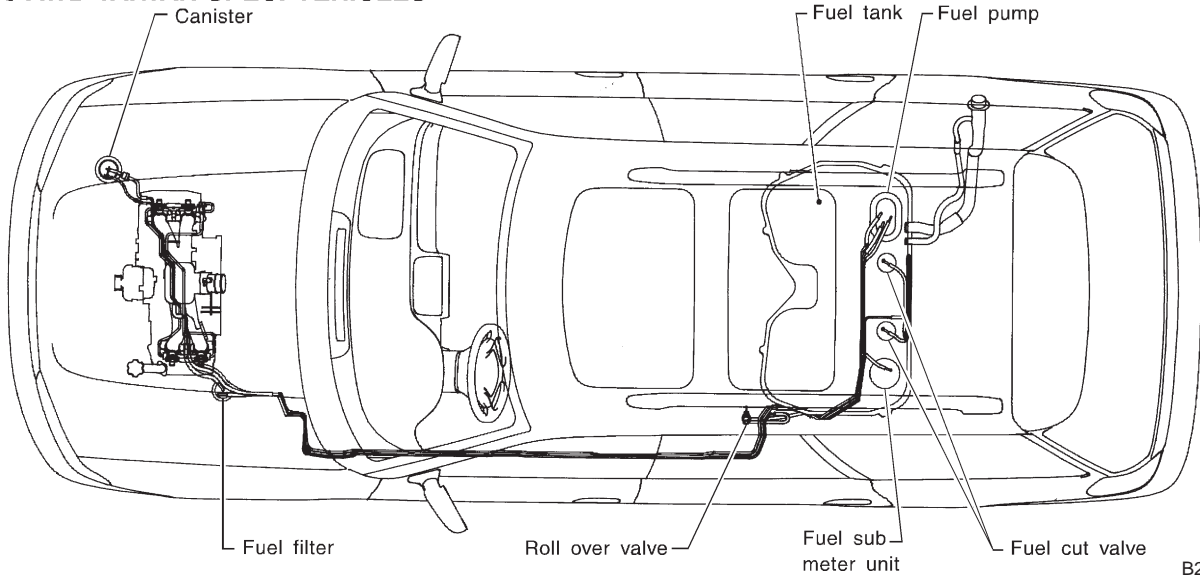
B2M0971A

SERVICE PROCEDURE

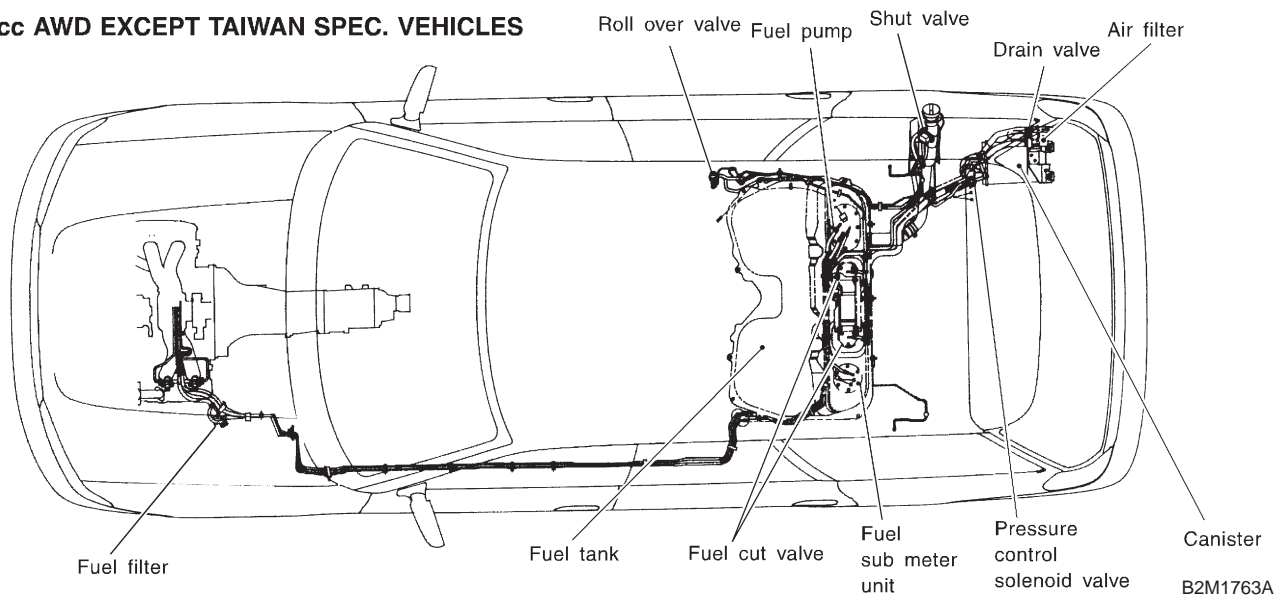
[W7A0] 2-8

7. Fuel Delivery, Return and Evaporation Lines

2200 cc AWD TAIWAN SPEC. VEHICLES



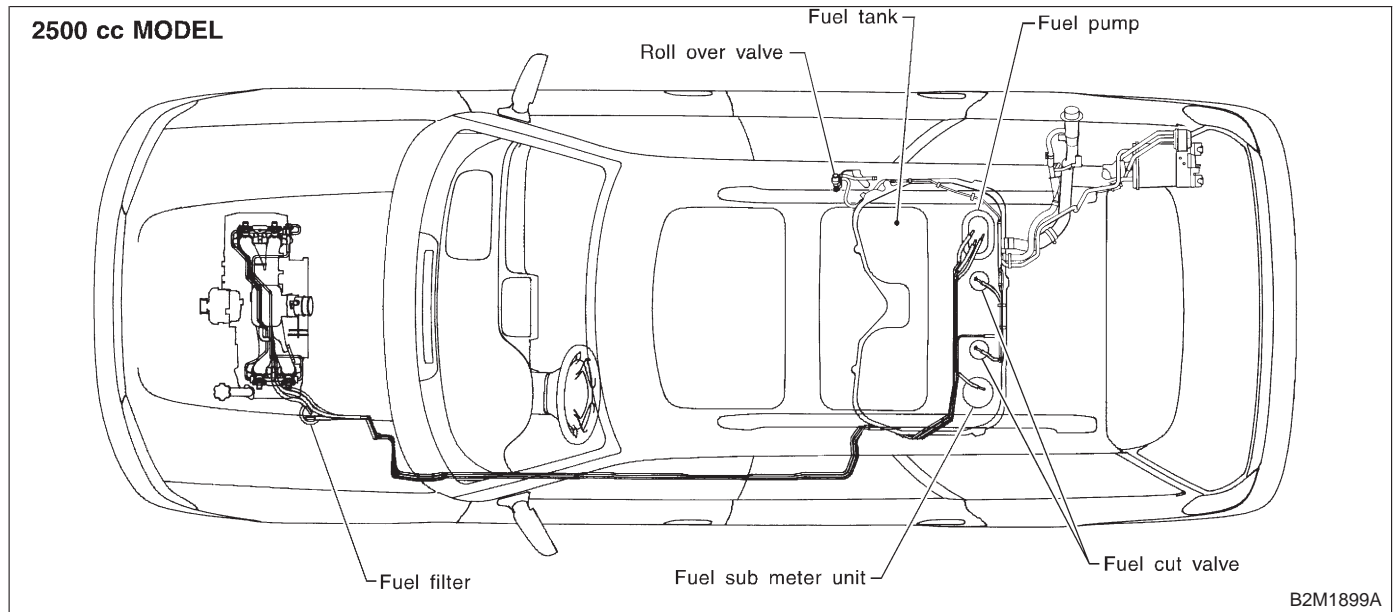
2200 cc AWD EXCEPT TAIWAN SPEC. VEHICLES



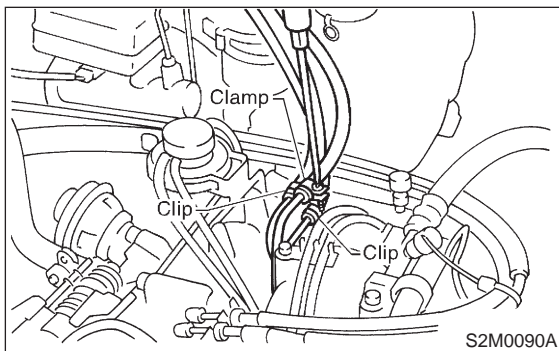
2-8 [W7B0]

SERVICE PROCEDURE

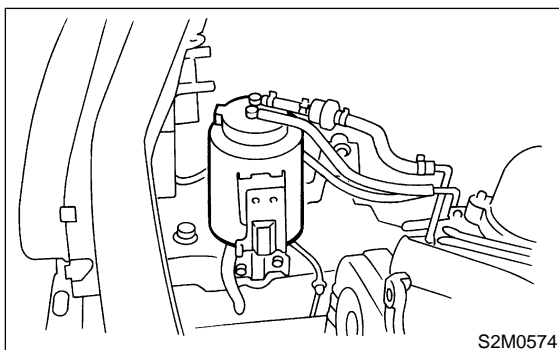
7. Fuel Delivery, Return and Evaporation Lines



5) In engine compartment, detach fuel delivery hose, return hose and evaporation hose.



6) In engine compartment, detach canister hoses from canister. (2200 cc FWD and Taiwan spec. vehicles only)



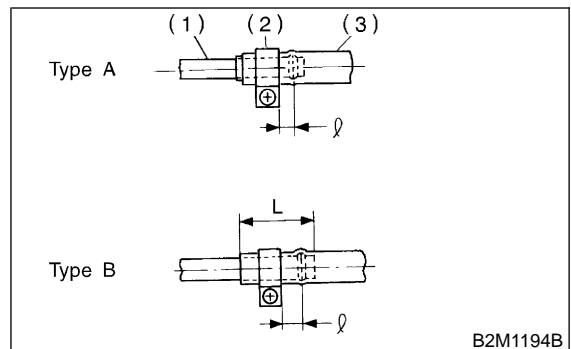
1) Connect fuel delivery hose to pipe with an overlap of 20 to 25 mm (0.79 to 0.98 in).

Type A: When fitting length is specified.

Type B: When fitting length is not specified.

ℓ : 1.0 — 4.0 mm (0.039 — 0.157 in)

L : 20 — 25 mm (0.79 — 0.98 in)



- (1) Fitting
- (2) Clamp
- (3) Hose

B: INSTALLATION

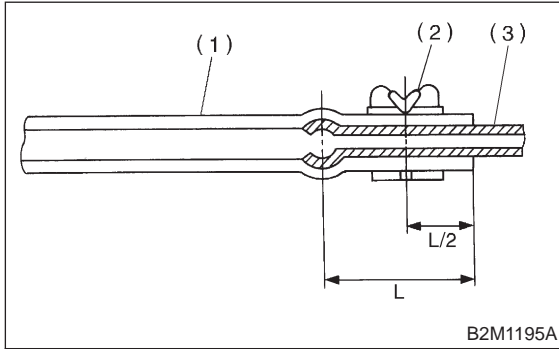
Installation is in the reverse order of removal.

2) Connect evaporation hose to pipe by approx. 15 mm (0.59 in) from hose end.

$L = 15 - 20 \text{ mm (0.59 - 0.79 in)}$

CAUTION:

Be sure to inspect hoses and their connections for any leakage of fuel.

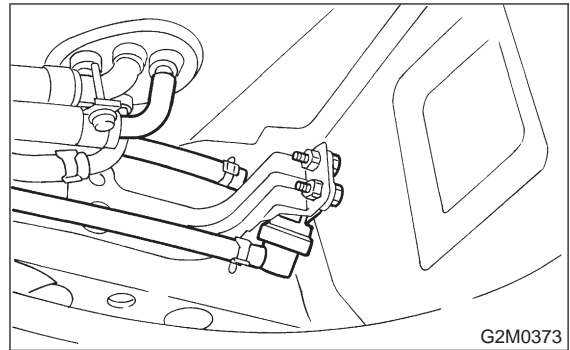


- (1) Hose
- (2) Clip
- (3) Pipe

8. Roll Over Valve

A: REMOVAL AND INSTALLATION

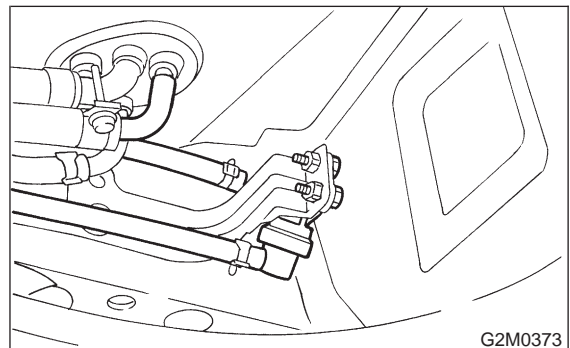
- 1) Lift up the vehicle.
- 2) Remove roll over valve with bracket.



- 3) Disconnect hoses from roll over valve, and remove it from bracket.
- 4) Installation is in the reverse order of removal.

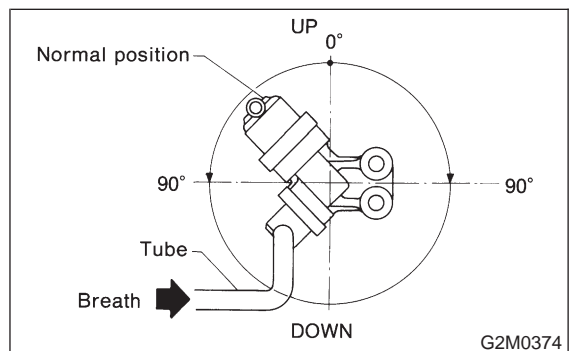
CAUTION:

- Do not install top side of valve down.
- Before installing bracket on body, securely fit concave part of bracket to hole in body.



B: INSPECTION

- 1) Connect hoses to roll over valve as shown in Figure.



- 2) While blowing through open end of hose, tilt valve at least 90° left and right from normal position.