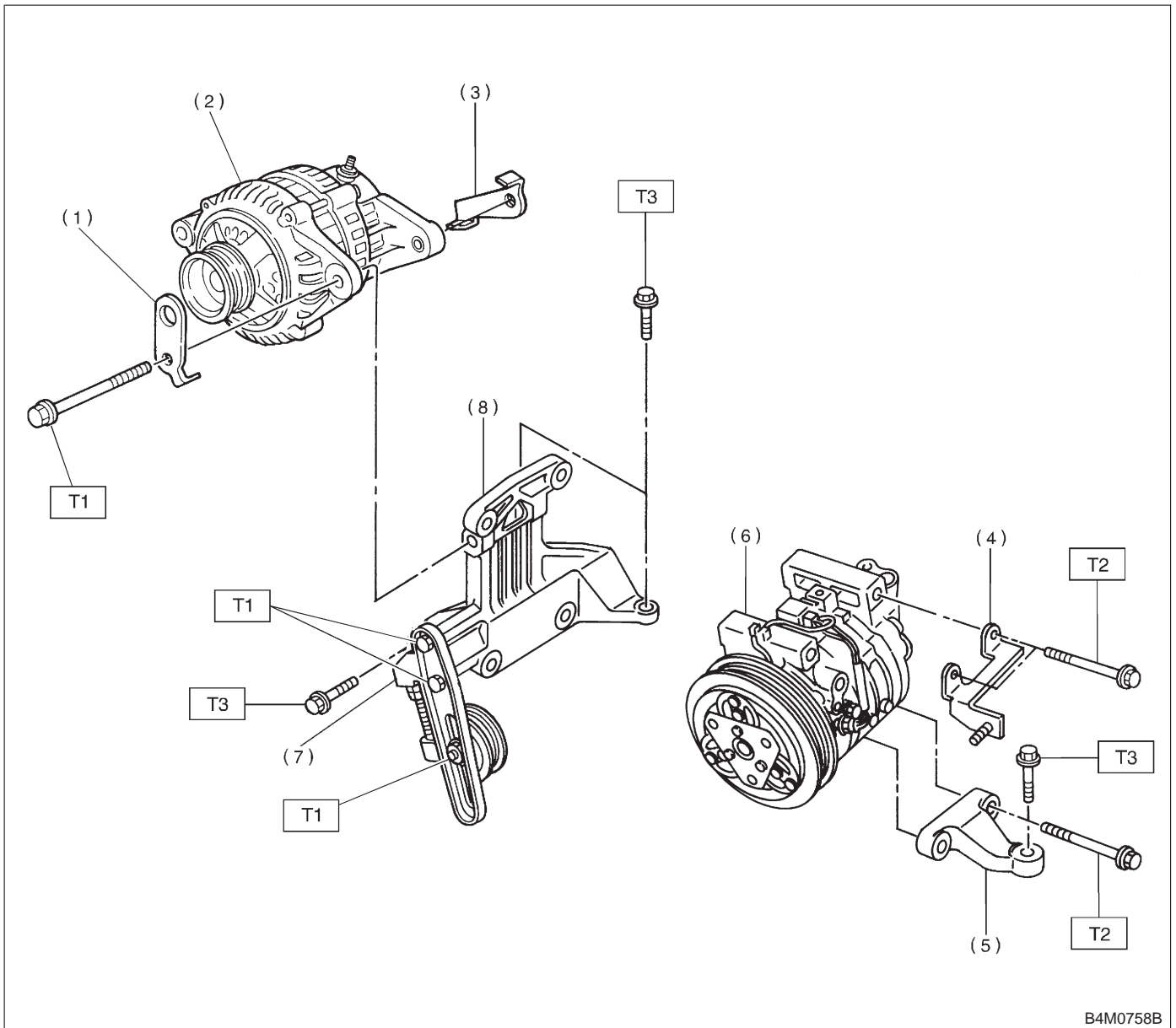


3. Compressor



B4M0758B

- |                              |                              |
|------------------------------|------------------------------|
| (1) Alternator bracket       | (6) Compressor               |
| (2) Alternator               | (7) Idler pulley ASSY        |
| (3) Alternator bracket nut   | (8) Compressor bracket upper |
| (4) Bracket                  |                              |
| (5) Compressor bracket lower |                              |

**Tightening torque: N-m (kg-m, ft-lb)**  
**T1: 23.0±4.4 (2.35±0.45, 17.0±3.3)**  
**T2: 29±4 (3.0±0.4, 21.7±2.9)**  
**T3: 35±4 (3.6±0.4, 26.0±2.9)**