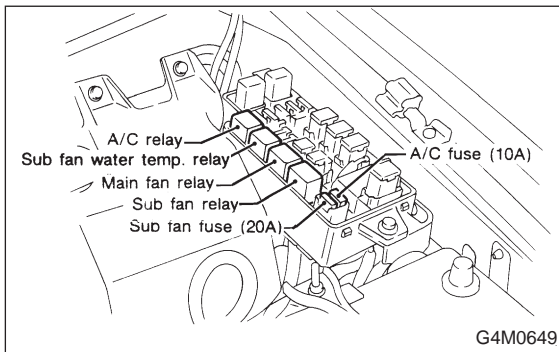


## 17. Relay and Fuse

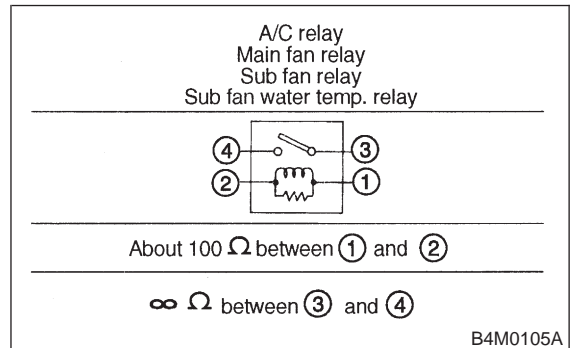
### A: LOCATION

Relays used with A/C system are located as shown in figure.

- A/C relay
- Main fan (radiator fan) relay
- Sub fan (condenser fan) relay
- Sub fan (condenser fan) water temperature relay
- Fuses (10 A and 20 A)



2) Replace relays which do not meet specifications.



### B: INSPECTION

1) Check conduction with a circuit tester (ohm range) according to the following table in figure.

