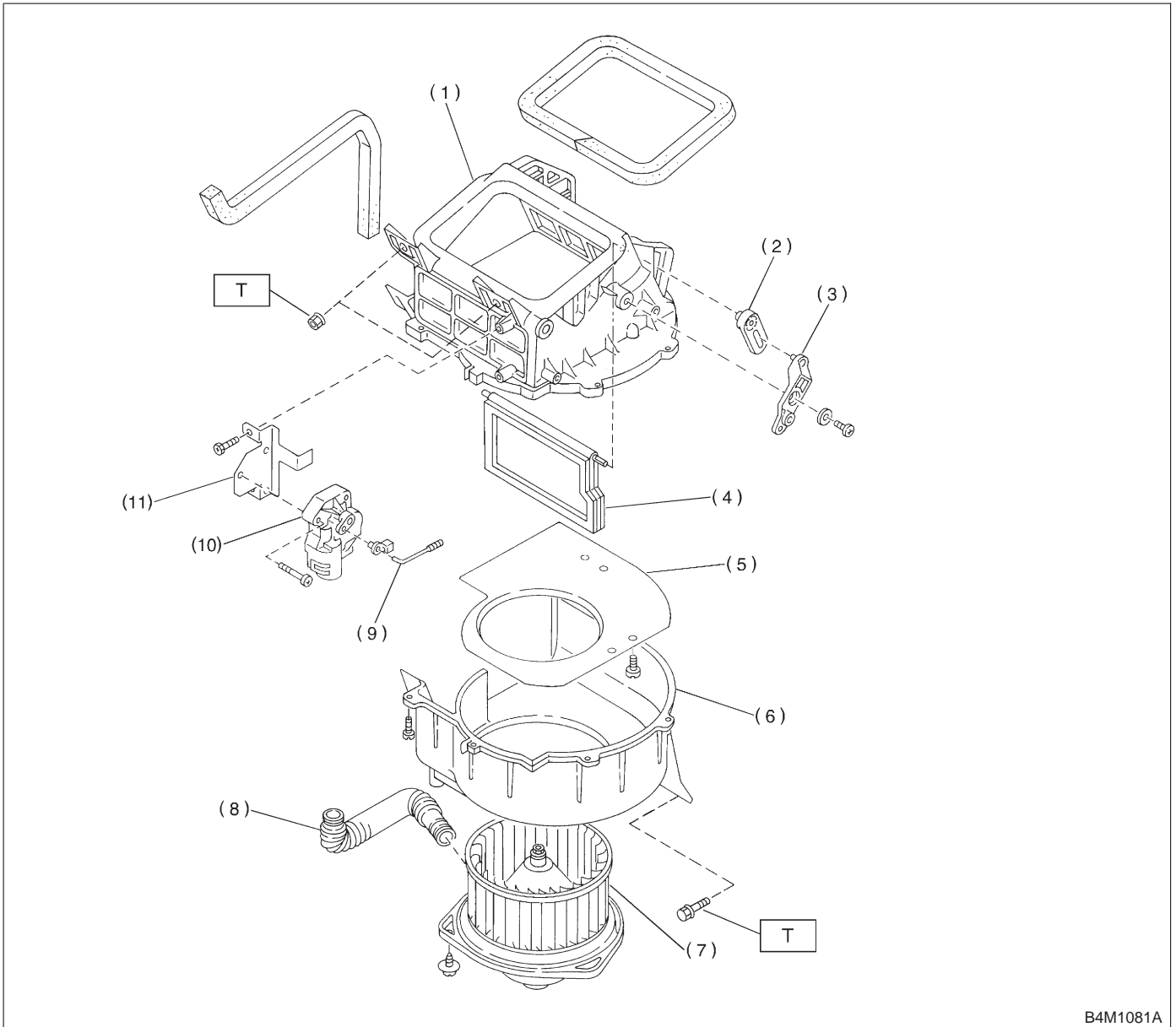


3. Intake Unit



B4M1081A

- (1) Intake unit case upper
- (2) Lever (A)
- (3) Link
- (4) Door (A)
- (5) Bell mouth-intake

- (6) Intake unit case lower
- (7) Blower motor ASSY
- (8) Hose
- (9) Actuator rod
- (10) Actuator motor

- (11) Actuator bracket

**Tightening torque: N·m (kg·m, ft·lb)**  
**T: 7.35±1.96 (0.750±0.200,**  
**5.421±1.446)**