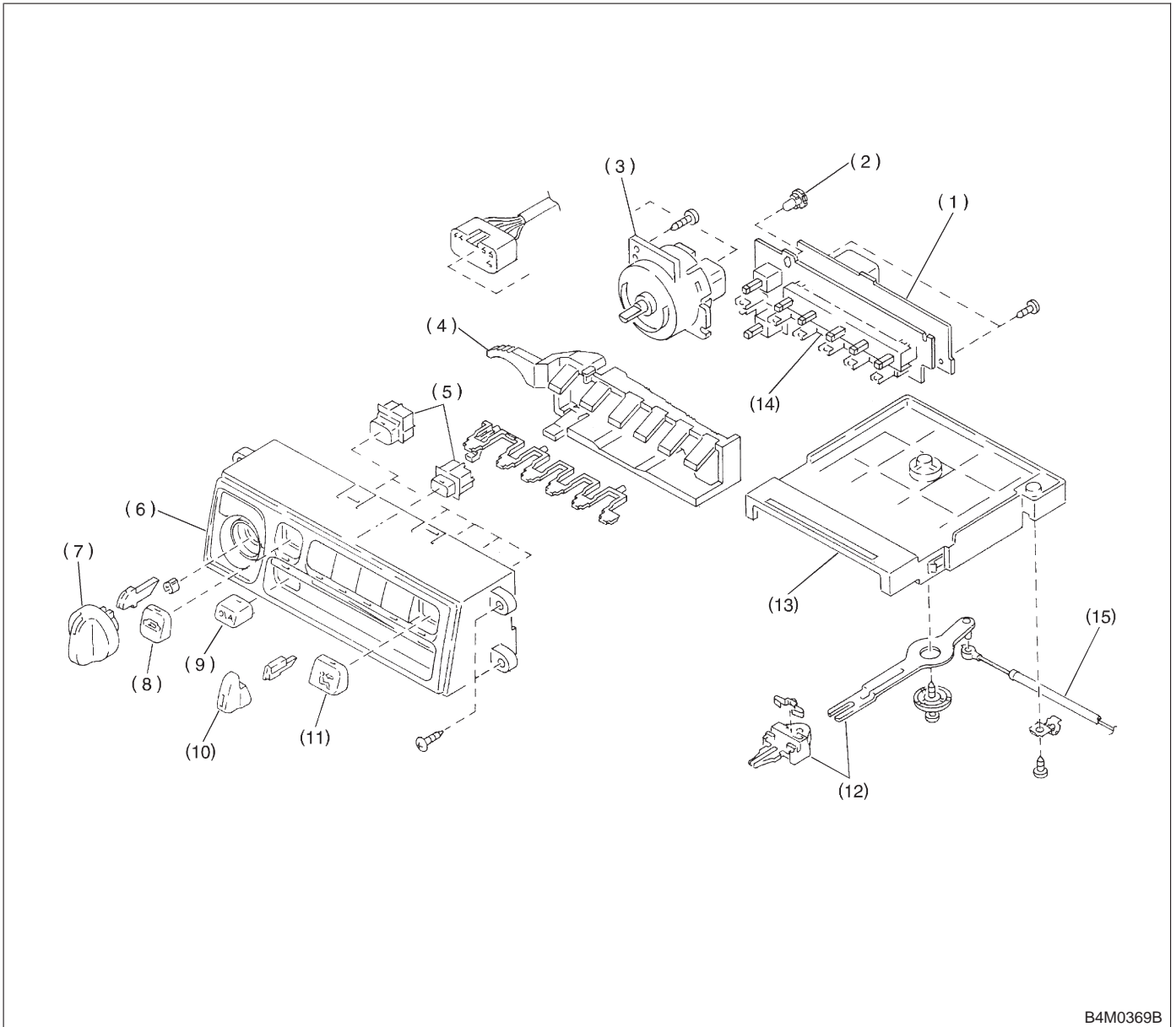


4. Control Unit



B4M0369B

- | | | |
|---------------------|------------------------|--------------------------|
| (1) Back plate | (6) Control panel | (11) Mode switch |
| (2) Bulb | (7) Fan switch knob | (12) Temp. lever ASSY |
| (3) Fan switch ASSY | (8) RECIRC switch | (13) Base plate |
| (4) Illumi. plate | (9) A/C switch | (14) Control amp. |
| (5) Switch base | (10) Temp. switch knob | (15) Temp. control cable |