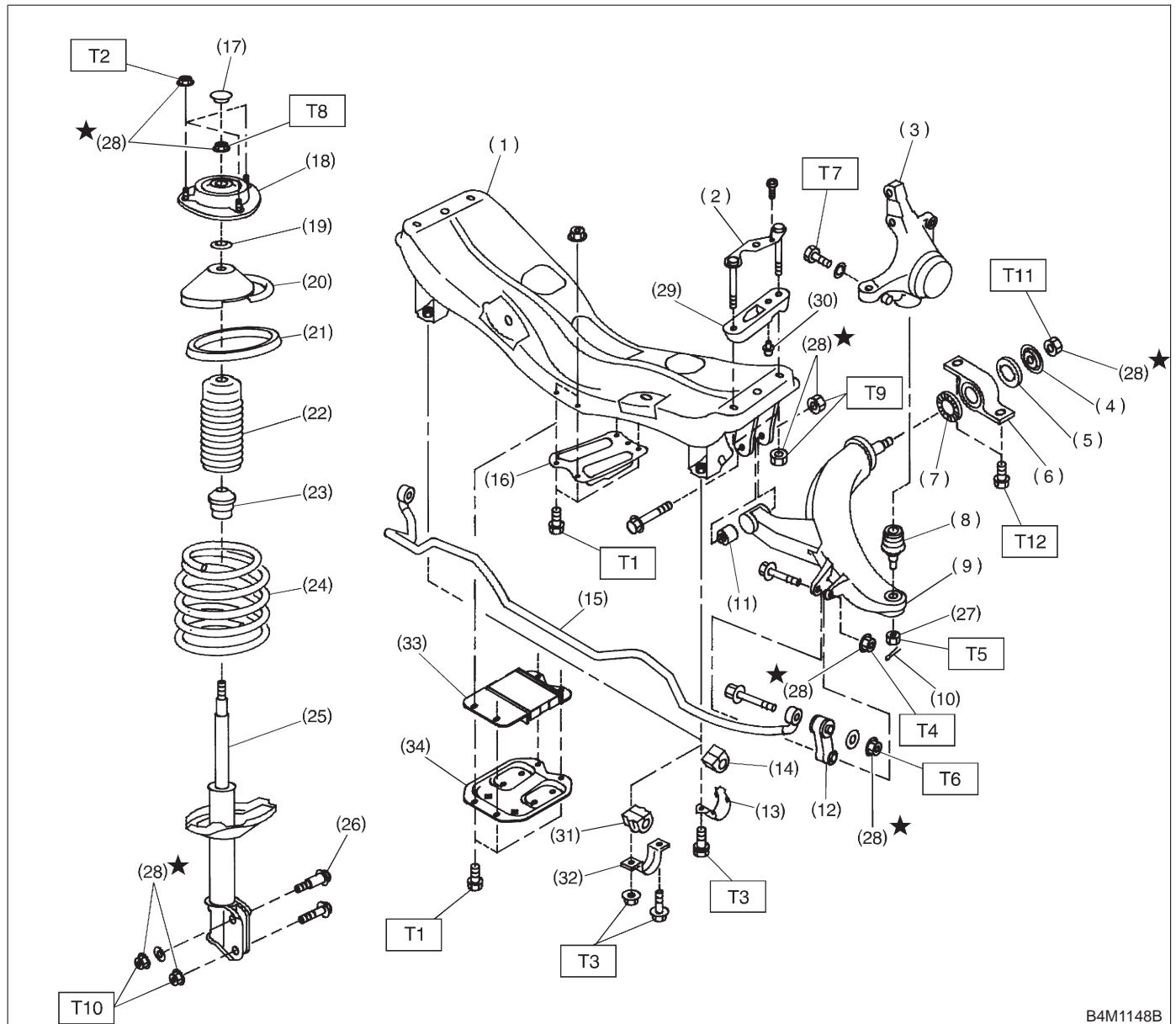


1. Front Suspension



B4M1148B

- | | | |
|--|--|--|
| (1) Front crossmember | (17) Dust seal | (33) Dynamic damper (2500 cc MT model) |
| (2) Bolt ASSY | (18) Strut mount | (34) Jack-up plate (2500 cc MT model) |
| (3) Housing | (19) Spacer | |
| (4) Washer | (20) Upper spring seat | |
| (5) Stopper rubber (Rear) | (21) Rubber seat | |
| (6) Rear bushing | (22) Dust cover | |
| (7) Stopper rubber (Front) | (23) Helper | |
| (8) Ball joint | (24) Coil spring | |
| (9) Transverse link | (25) Damper strut | |
| (10) Cotter pin | (26) Adjusting bolt | |
| (11) Front bushing | (27) Castle nut | |
| (12) Stabilizer link | (28) Self-locking nut | |
| (13) Clamp (2200 cc model) | (29) Adapter front crossmember (SUS & OUTBACK model) | |
| (14) Bushing (2200 cc model) | (30) Clip (SUS & OUTBACK model) | |
| (15) Stabilizer | (31) Bushing (2500 cc model) | |
| (16) Jack-up plate (Except 2500 cc MT model) | (32) Clamp (2500 cc model) | |

COMPONENT PARTS

[C100] 4-1
1. Front Suspension

Tightening torque: N·m (kg-m, ft-lb)

T1: 18±5 (1.8±0.5, 13.0±3.6)

T2: 20±6 (2.0±0.6, 14.5±4.3)

T3: 25±4 (2.5±0.4, 18.1±2.9)

T4: 29±5 (3.0±0.5, 21.7±3.6)

T5: 39 (4, 29)

T6: 44±6 (4.5±0.6, 32.5±4.3)

T7: 49±10 (5.0±1.0, 36±7)

T8: 54±5 (5.5±0.5, 39.8±3.6)

T9: 98±15 (10.0±1.5, 72±11)

T10: 152±20 (15.5±2.0, 112±14)

T11: 186±10 (19.0±1.0, 137±7)

T12: 245±49 (25.0±5.0, 181±36)
