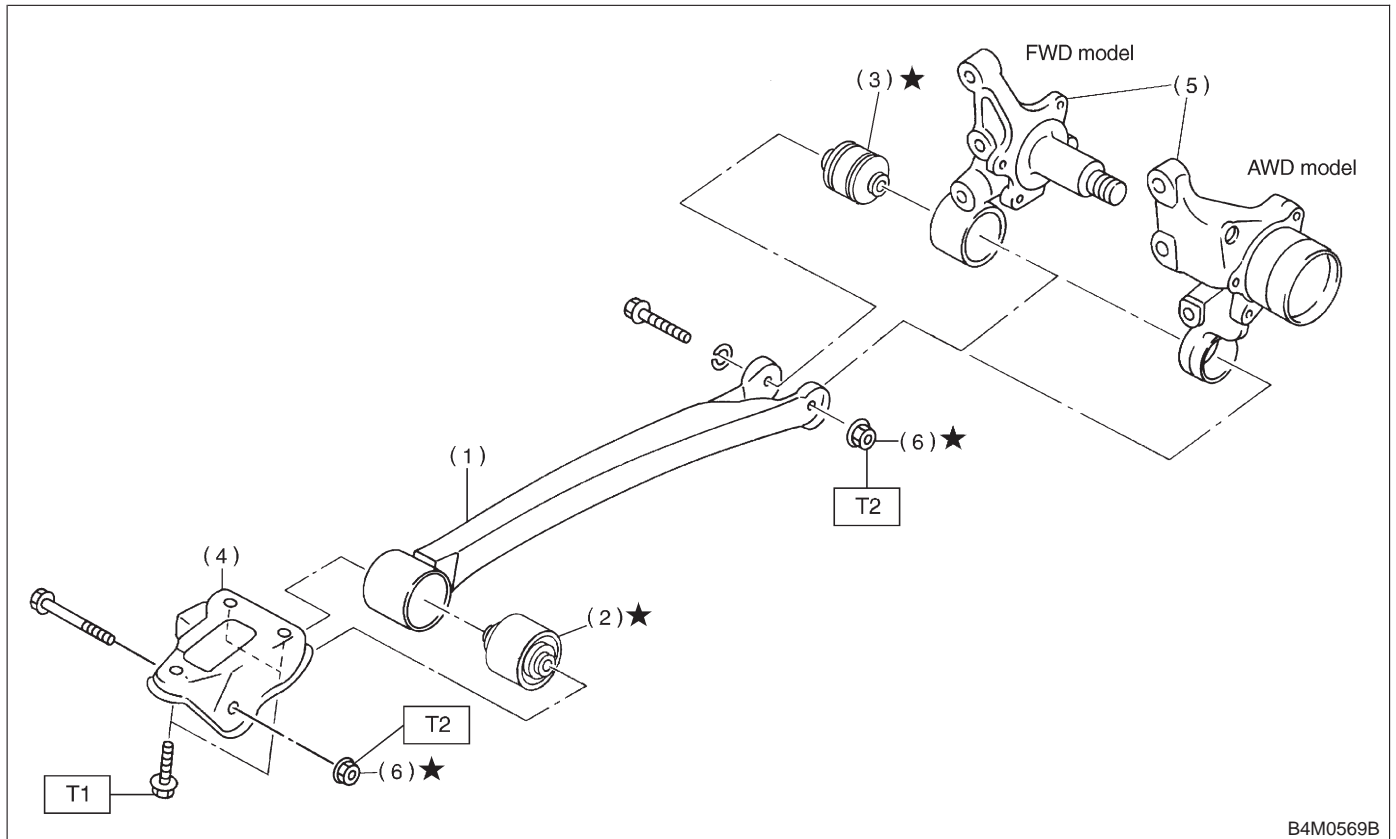


## 7. Rear Trailing Link

### A: REMOVAL



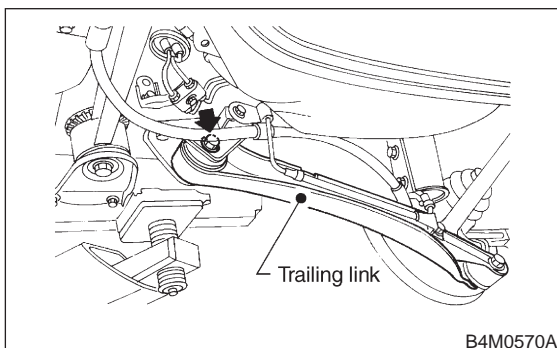
- |                   |                      |
|-------------------|----------------------|
| (1) Trailing link | (5) Housing          |
| (2) Front bushing | (6) Self-locking nut |
| (3) Rear bushing  |                      |
| (4) Bracket       |                      |

**Tightening torque: N-m (kg-m, ft-lb)**

**T1: 98±20 (10.0±2.0, 72±14)**

**T2: 113±15 (11.5±1.5, 83±11)**

- 1) Loosen rear wheel nuts.
- 2) Lift-up vehicle, support it with safety stands (rigid racks) and remove rear wheels.
- 3) Remove both rear parking brake clamp and ABS sensor harness. (ABS equipped models.)
- 4) Remove bolt which secure trailing link to trailing link bracket.

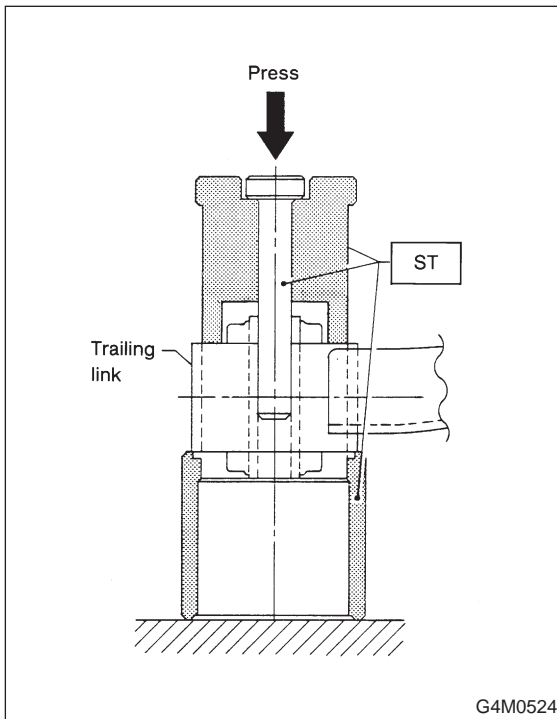


- 5) Remove bolt which secure trailing link to rear housing.

**B: DISASSEMBLY**

**1. FRONT BUSHING**

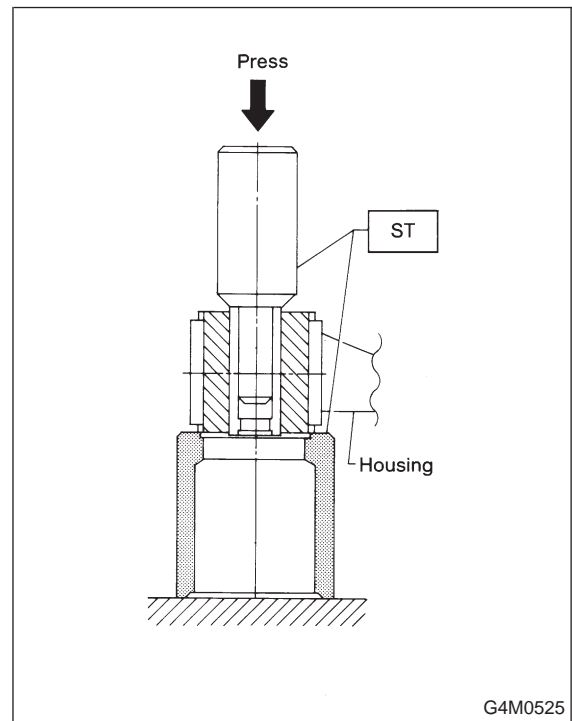
Using ST, press front bushing out of place.  
ST 927720000 INSTALLER & REMOVER SET



**2. REAR BUSHING**

- 1) Remove housing.
  - AWD mode <Ref. to 4-2 [W2A0].>
  - FWD mode <Ref. to 4-2 [W3A0].>

- 2) Using ST, press rear bushing out of place.  
ST 927730000 INSTALLER & REMOVER SET



**C: INSPECTION**

Check trailing links for bends, corrosion or damage.

**D: ASSEMBLY**

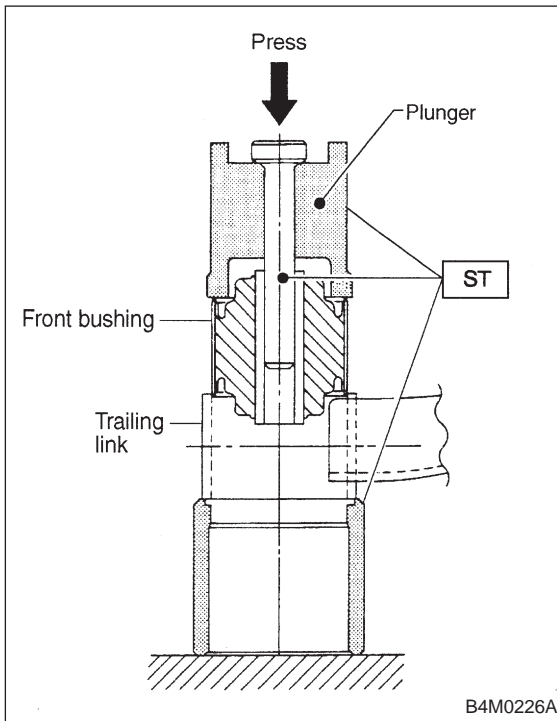
To assemble, reverse above disassembly procedures.

**1. FRONT BUSHING**

Using ST, press bushing into trailing link.  
ST 927720000 INSTALLER & REMOVER SET

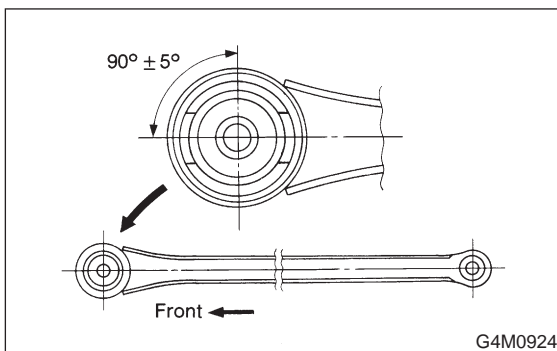
**CAUTION:**

**When installing bushing, turn ST plunger upside down and press it until plunger end surface contacts trailing link end surface.**



**CAUTION:**

**Install front bushing in the proper direction, as shown in figure.**



**2. REAR BUSHING**

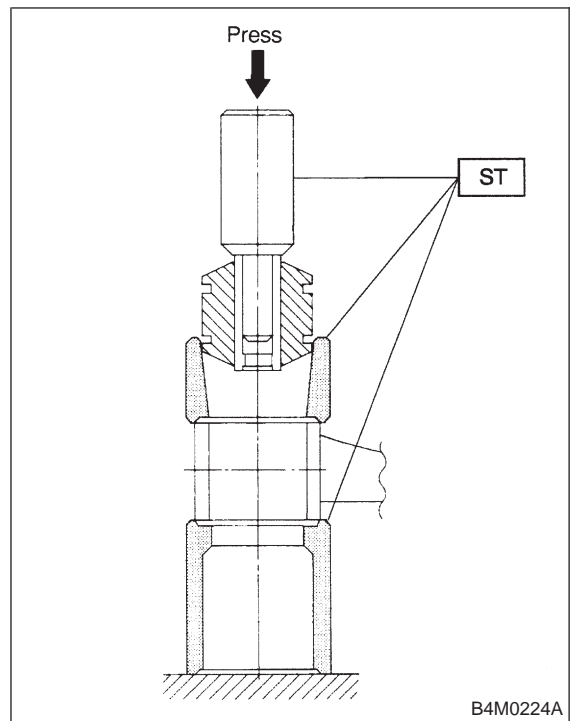
1) Using ST, press bushing into trailing link.  
ST 927730000 INSTALLER & REMOVER SET

**NOTE:**

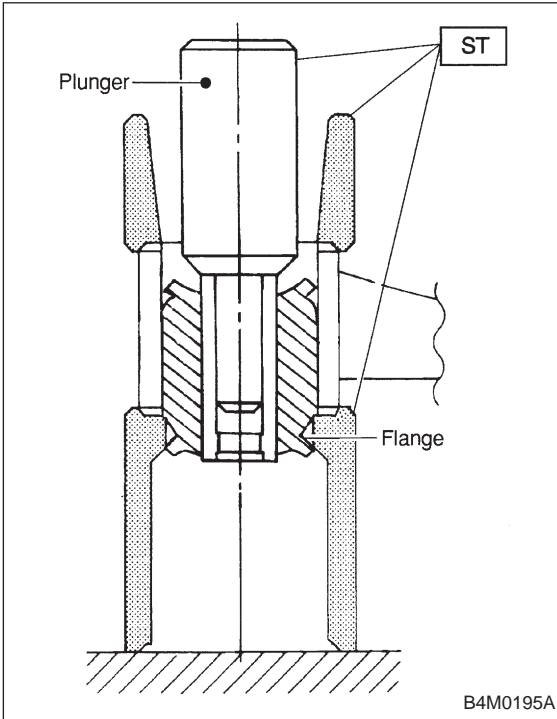
If it is difficult to press bushing into trailing link, apply water-diluted TIRE LUBE to the inner surface of ST as a lubricant.

**Specified lubricant:**

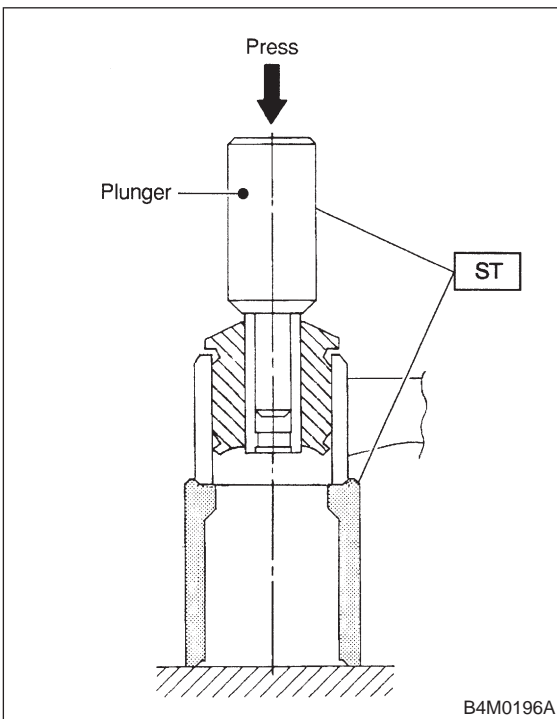
**TIRE LUBE : water = 1 : 3**



- 2) Press ST plunger until bushing flange protrudes beyond trailing link.  
ST 927730000 INSTALLER & REMOVER SET



- 3) Turn trailing link upside down. Press ST plunger in the direction opposite that outlined in the former procedure until bushing is correctly positioned in trailing link.  
ST 927730000 INSTALLER & REMOVER SET



## E: INSTALLATION

Installation is in the reverse order of removal.

### CAUTION:

Always tighten rubber bushing location when wheels are in full contact with the ground and vehicle is at curb weight condition.

### NOTE:

Check wheel alignment and adjust if necessary.