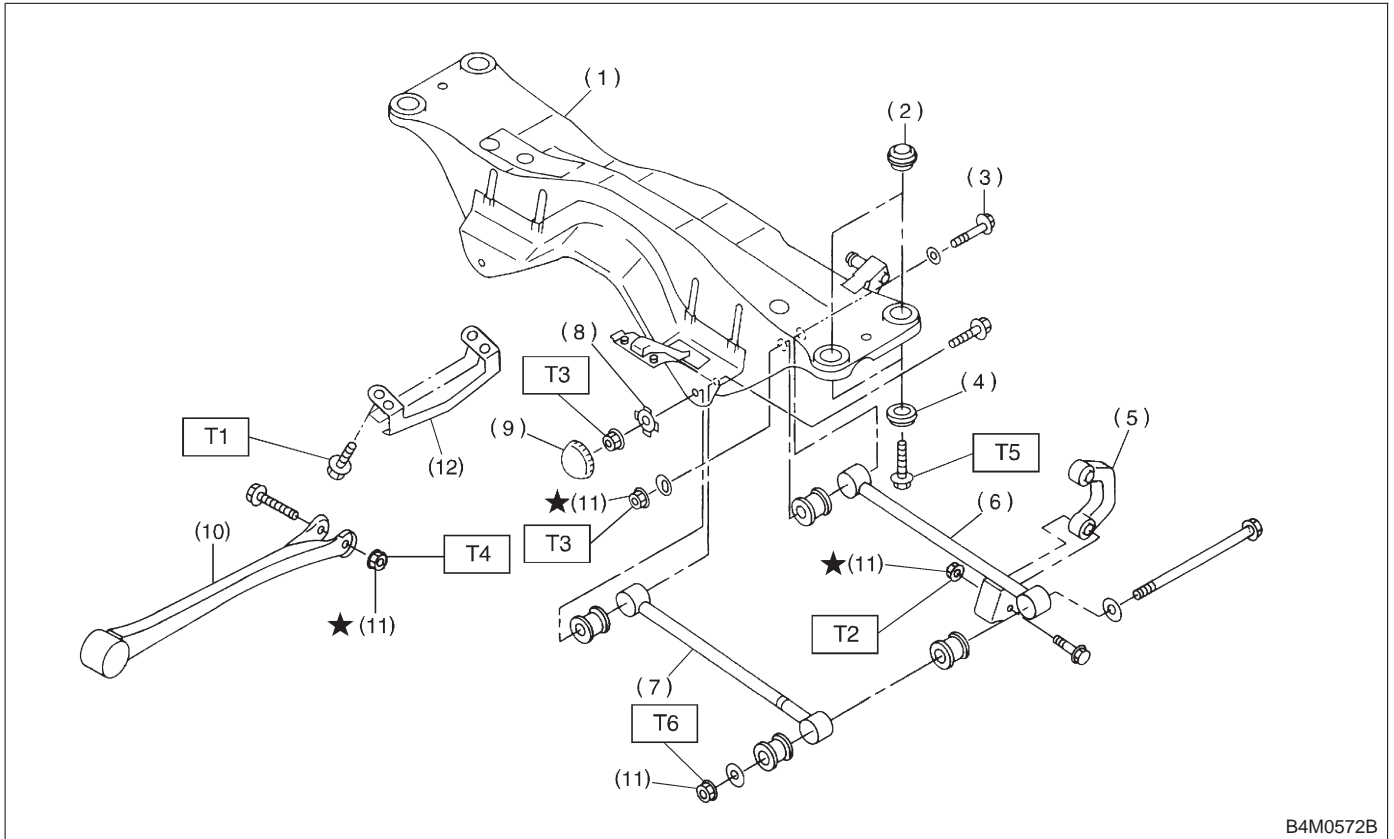


11. Rear Crossmember (AWD Model)

A: REMOVAL



B4M0572B

- | | |
|------------------------|---|
| (1) Crossmember | (9) Cap (Protection) |
| (2) Floating bushing | (10) Trailing link |
| (3) Adjusting bolt | (11) Self-locking nut |
| (4) Stopper | (12) Crossmember reinforcement lower (Sedan model only) |
| (5) Stabilizer link | |
| (6) Rear lateral link | |
| (7) Front lateral link | |
| (8) Washer | |

Tightening torque: N·m (kg·m, ft·lb)

T1: 25±7 (2.5±0.7, 18.1±5.1)

T2: 44±6 (4.5±0.6, 32.5±4.3)

T3: 98±15 (10.0±1.5, 72±11)

T4: 113±15 (11.5±1.5, 83±11)

T5: 127±20 (13.0±2.0, 94±14)

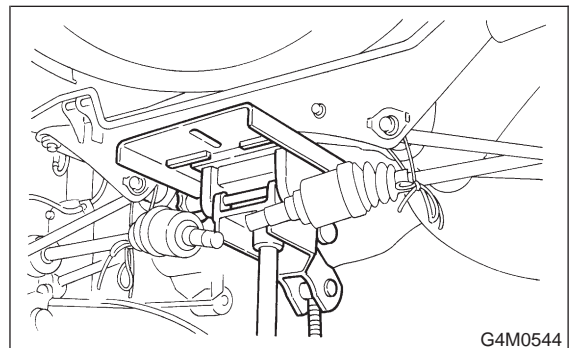
T6: 137±20 (14.0±2.0, 101±14)

CAUTION:

Do not subject ABS sensor harness to excessive tension. (ABS equipped models.)

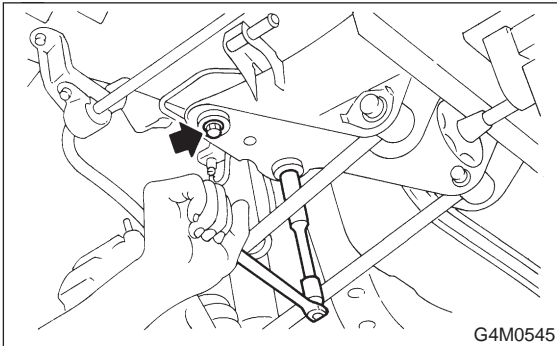
- 1) Separate front exhaust pipe and rear exhaust pipe.
- 2) Remove rear exhaust pipe and muffler.
- 3) Remove crossmember reinforcement lower. (Sedan model only)
- 4) Remove rear differential. <Ref. to 3-4 [W2B0].>

- 5) Place transmission jack under rear crossmember.



G4M0544

- 6) Remove bolts securing crossmember to vehicle body, and remove crossmember.



- 7) Scribe an alignment mark on rear lateral link cam bolt and crossmember.
- 8) Remove four bolts securing front and rear lateral links to crossmember by loosening nuts.

B: INSPECTION

Check removed parts for damage and cracks, and correct or replace if defective.

C: INSTALLATION

- 1) Install in reverse order of removal.
- 2) Install rear differential. <Ref. to 3-4 [W2F0].>

CAUTION:

Always tighten rubber bushing when wheels are in full contact with the ground and vehicle is at curb weight condition.

NOTE:

Check wheel alignment and adjust if necessary.