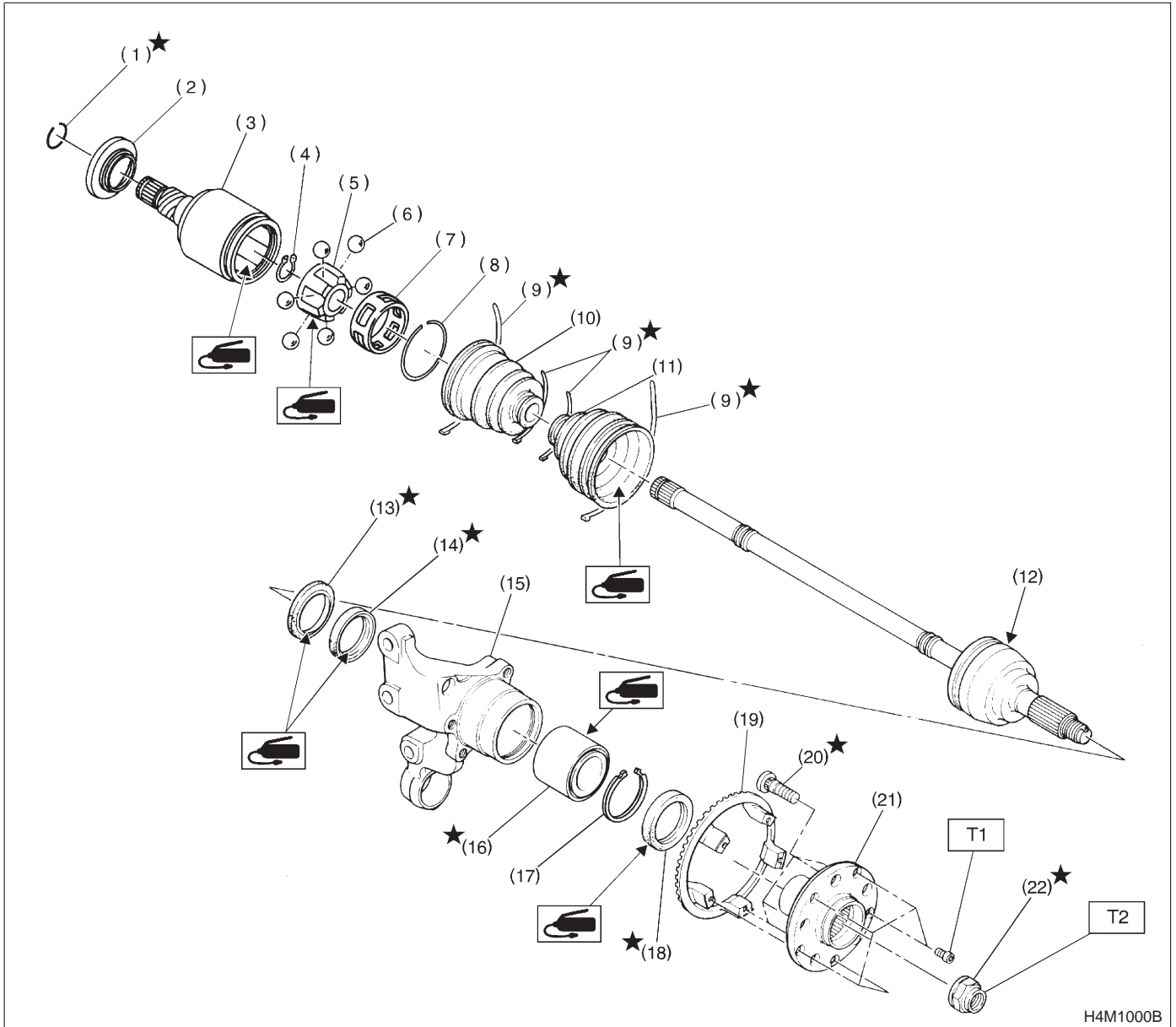


2. Rear Axle  
A: AWD MODEL



- (1) Circlip (2200 cc AT vehicles)
- (2) Baffle plate (DOJ)
- (3) Outer race (DOJ)
- (4) Snap ring
- (5) Inner race
- (6) Ball
- (7) Cage
- (8) Circlip
- (9) Boot band

- (10) Boot (DOJ)
- (11) Boot (BJ)
- (12) BJ ASSY
- (13) Oil seal (IN. No. 2)
- (14) Oil seal (IN. No. 3)
- (15) Housing
- (16) Bearing
- (17) Snap ring
- (18) Oil seal (OUT)

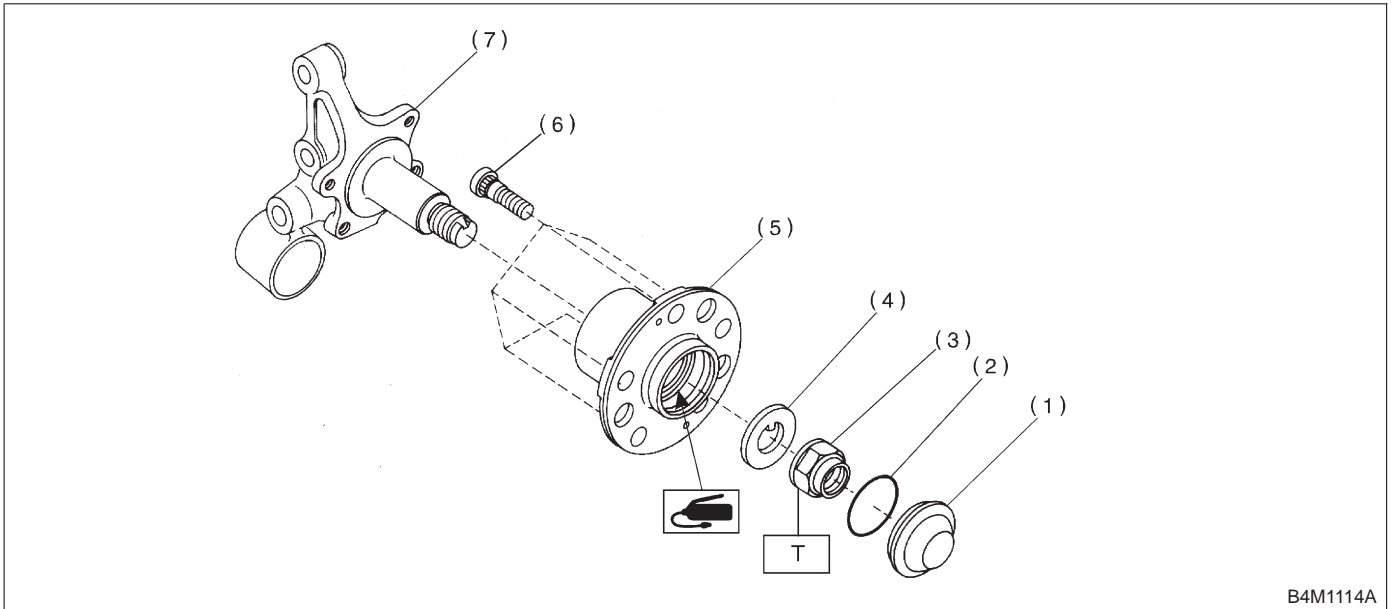
- (19) Tone wheel
- (20) Hub bolt
- (21) Hub
- (22) Axle nut

**Tightening torque: N·m (kg·m, ft·lb)**

**T1: 13±3 (1.3±0.3, 9.4±2.2)**

**T2: 186±20 (19±2, 137±14)**

## B: FWD MODEL



- (1) Hub cap
- (2) O-ring
- (3) Axle nut
- (4) Washer

- (5) Hub unit
- (6) Hub bolt
- (7) Spindle

**Tightening torque: N·m (kg·m, ft·lb)**  
**T: 186±20 (19±2, 137±14)**