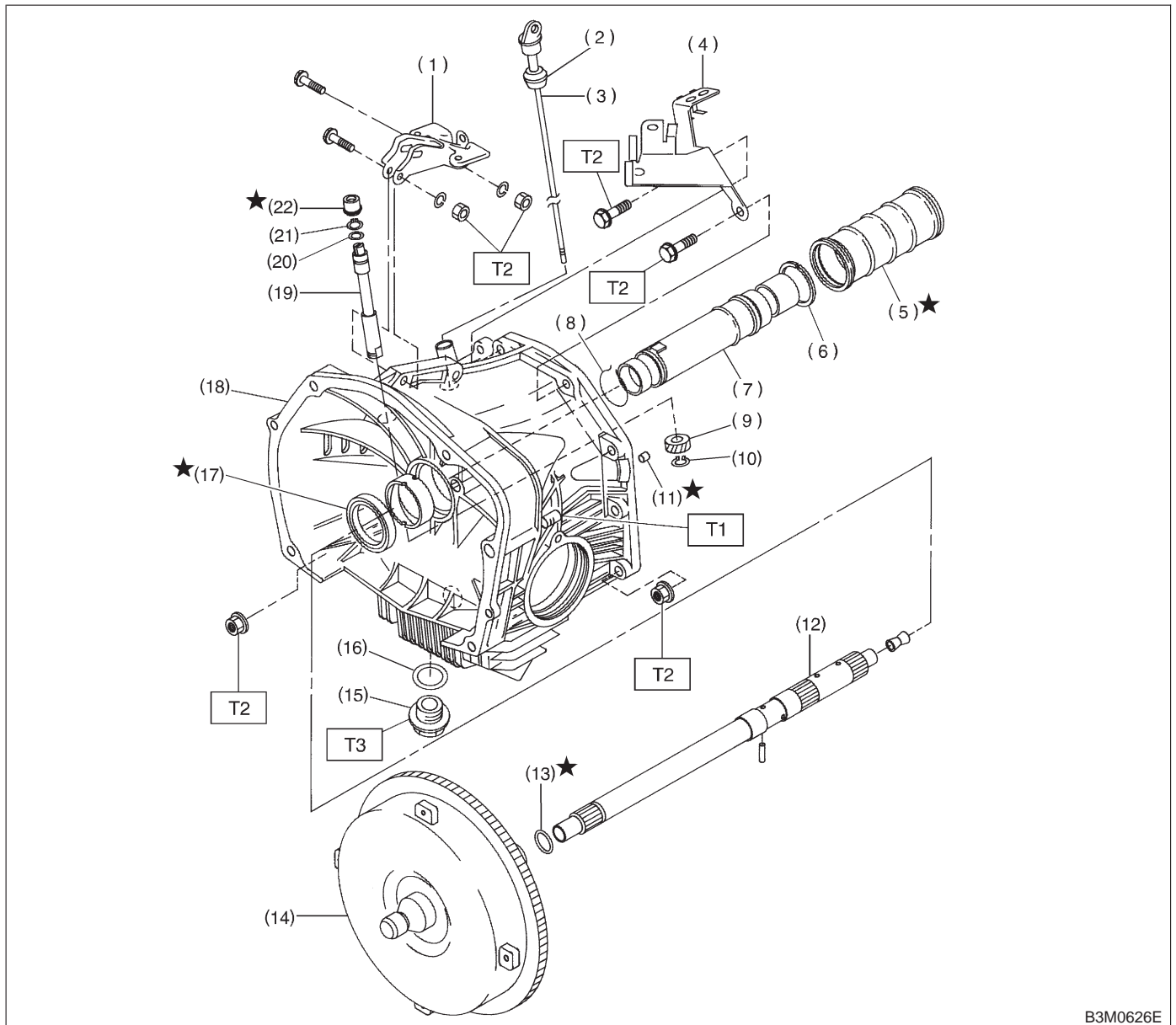


1. Torque Converter Clutch and Case



B3M0626E

- (1) Pitching stopper bracket
- (2) O-ring
- (3) Oil level gauge
- (4) Stay
- (5) Seal pipe
- (6) Seal ring
- (7) Oil pump shaft
- (8) Clip
- (9) Speedometer driven gear
- (10) Snap ring

- (11) Oil drain pipe
- (12) Input shaft
- (13) O-ring
- (14) Torque converter clutch
- (15) Drain plug
- (16) Gasket
- (17) Oil seal
- (18) Torque converter clutch case
- (19) Speedometer shaft
- (20) Washer

- (21) Snap ring
- (22) Oil seal

**Tightening torque: N-m (kg-m, ft-lb)**

**T1: 18±5 (1.8±0.5, 13.0±3.6)**

**T2: 41±3 (4.2±0.3, 30.4±2.2)**

**T3: 44±3 (4.5±0.3, 32.5±2.2)**