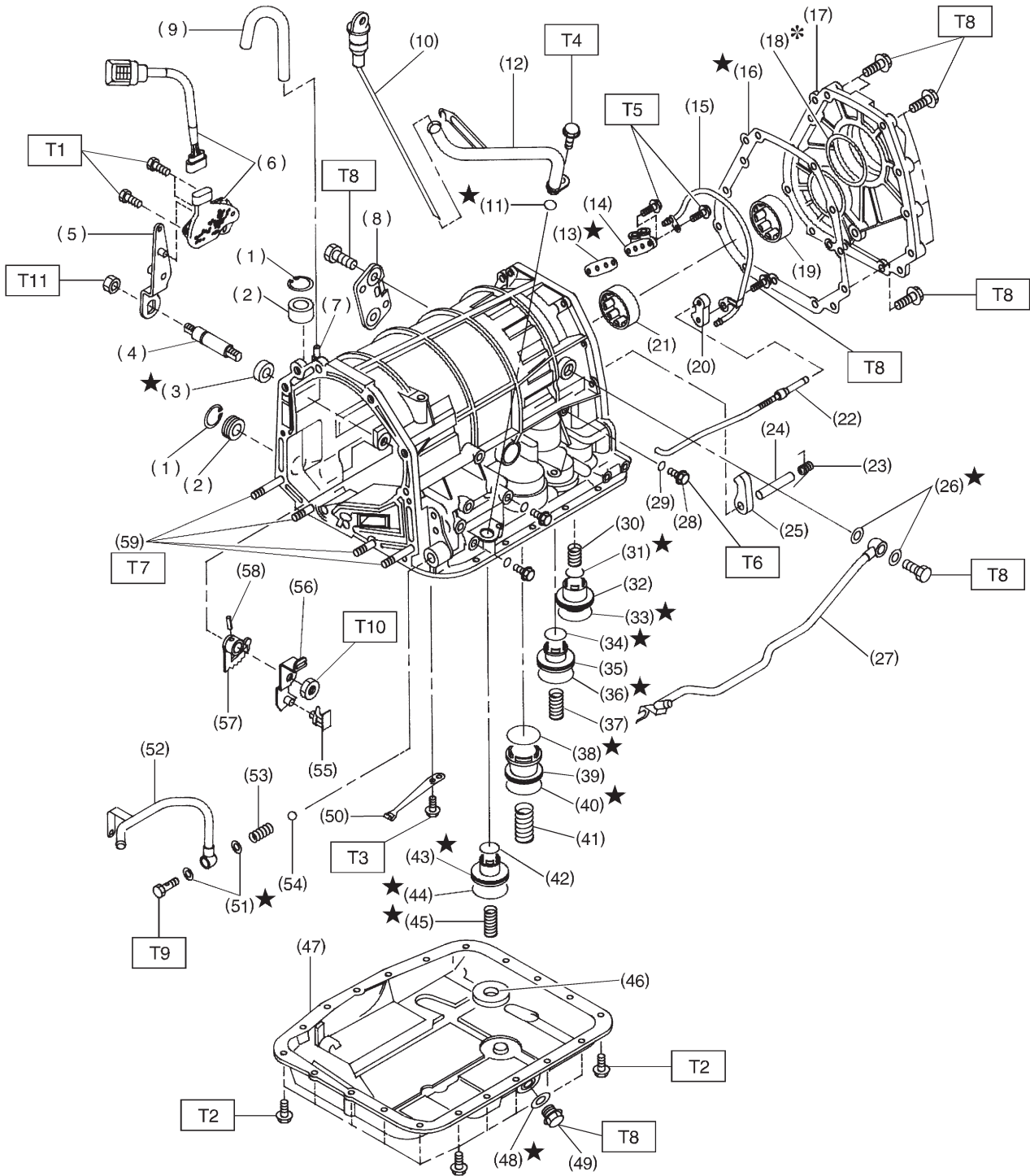


COMPONENT PARTS

[C300] 3-2

3. Transmission Case, Transmission Cover and Control Device

3. Transmission Case, Transmission Cover and Control Device



H3M1483C

3-2 [C300]

COMPONENT PARTS

3. Transmission Case, Transmission Cover and Control Device

(1) Snap ring	(25) Parking pawl	(50) Detention spring
(2) Plug	(26) Gasket	(51) Gasket
(3) Oil seal	(27) Inlet pipe	(52) Outlet pipe
(4) Manual shaft	(28) Test plug	(53) Spring
(5) Range select lever	(29) O-ring	(54) Ball
(6) Inhibitor switch ASSY	(30) Spring	(55) Stopper
(7) Nipple	(31) O-ring	(56) Manual lever
(8) Plate ASSY	(32) Accumulator piston (N-D)	(57) Manual plate
(9) Air breather hose	(33) O-ring	(58) Spring pin
(10) Oil level gauge	(34) O-ring	(59) Stud bolt
(11) O-ring	(35) Accumulator piston (2-3)	
(12) Oil charger pipe	(36) O-ring	<hr/> Tightening torque: N-m (kg-m, ft-lb)
(13) Gasket	(37) Spring	T1: 3.4±0.5 (0.35±0.05, 2.5±0.4)
(14) Relief valve	(38) O-ring	T2: 4.9±0.5 (0.50±0.05, 3.6±0.4)
(15) Pipe	(39) Accumulator piston (1-2)	T3: 5.9±1.0 (0.60±0.10, 4.3±0.7)
(16) Gasket	(40) O-ring	T4: 6.4±0.5 (0.65±0.05, 4.7±0.4)
(17) Transmission cover (FWD model)	(41) Spring	T5: 7.8±1.0 (0.80±0.10, 5.8±0.7)
(18) Shim	(42) O-ring	T6: 12.7±1.0 (1.30±0.10, 9.4±0.7)
(19) Roller bearing	(43) Accumulator piston (3-4)	T7: 17.7±2.9 (1.80±0.30, 13.0±2.2)
(20) Parking support	(44) O-ring	T8: 24.5±2.0 (2.50±0.20, 18.1±1.4)
(21) Ball bearing	(45) Spring	T9: 34.3±2.9 (3.50±0.30, 25.3±2.2)
(22) Parking rod	(46) Magnet	T10: 47.1±2.0 (4.80±0.20, 34.7±1.4)
(23) Return spring	(47) Oil pan	T11: 47.1±4.9 (4.80±0.50, 34.7±3.6)
(24) Shaft	(48) Gasket	<hr/>
	(49) Drain plug	