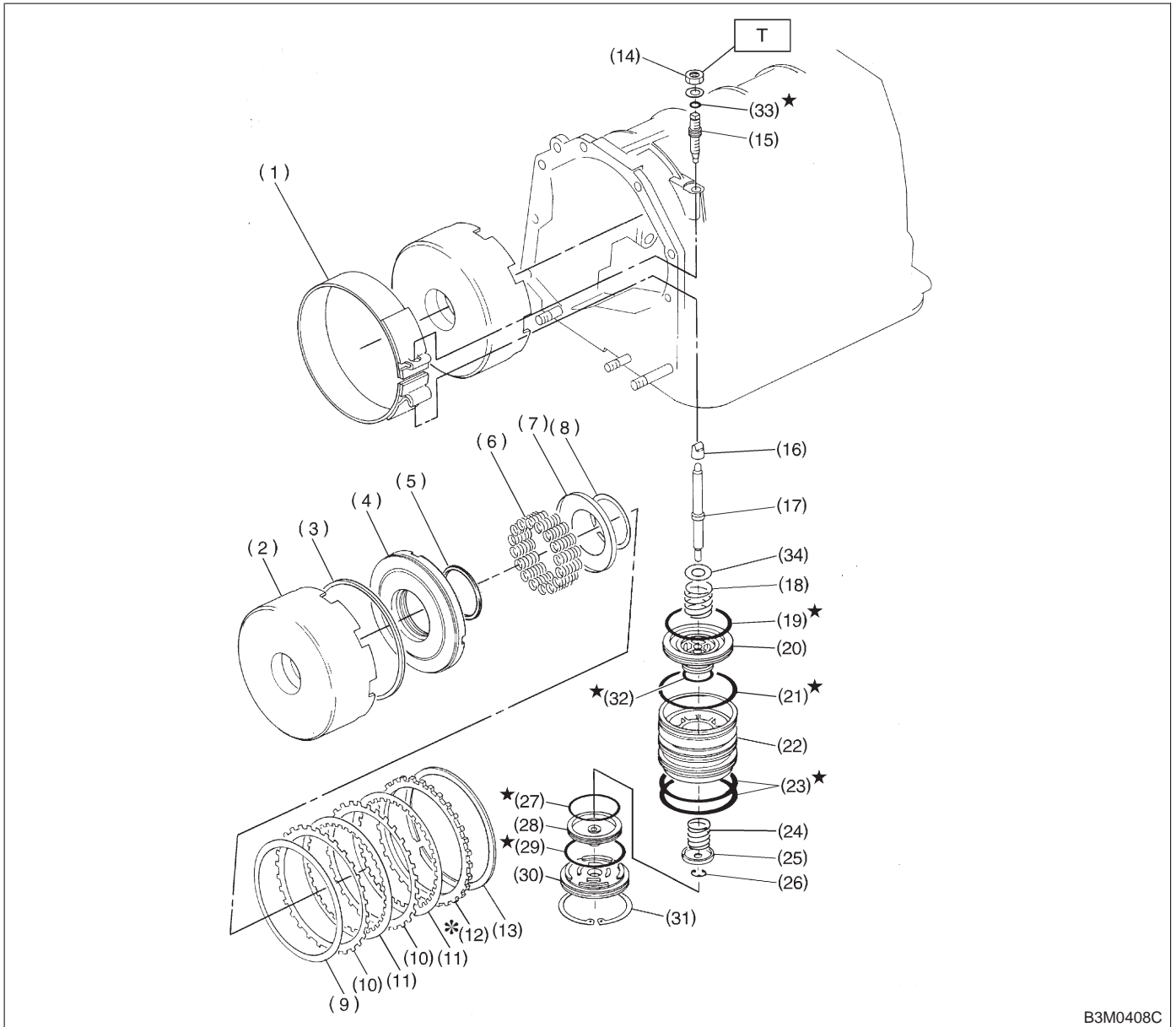


5. Reverse Clutch and Band Brake



B3M0408C

- | | | |
|-------------------------|---------------------------------|------------------------------|
| (1) Brake band | (14) Lock nut | (27) Lathe cut seal ring |
| (2) Reverse clutch drum | (15) Brake band adjusting screw | (28) Band servo piston (3-4) |
| (3) Lip seal | (16) Strut | (29) O-ring |
| (4) Piston | (17) Band servo piston stem | (30) O.D. servo retainer |
| (5) Lathe cut seal ring | (18) Spring | (31) Snap ring |
| (6) Spring | (19) Lathe cut seal ring | (32) Lathe cut seal ring |
| (7) Spring retainer | (20) Band servo piston (1-2) | (33) O-ring |
| (8) Snap ring | (21) O-ring | (34) Washer |
| (9) Dish plate | (22) Retainer | |
| (10) Driven plate | (23) O-ring | |
| (11) Drive plate | (24) Spring | |
| (12) Retaining plate | (25) Retainer | |
| (13) Snap ring | (26) Circlip | |

Tightening torque: N-m (kg-m, ft-lb)

T: 26±2 (2.7±0.2, 19.5±1.4)