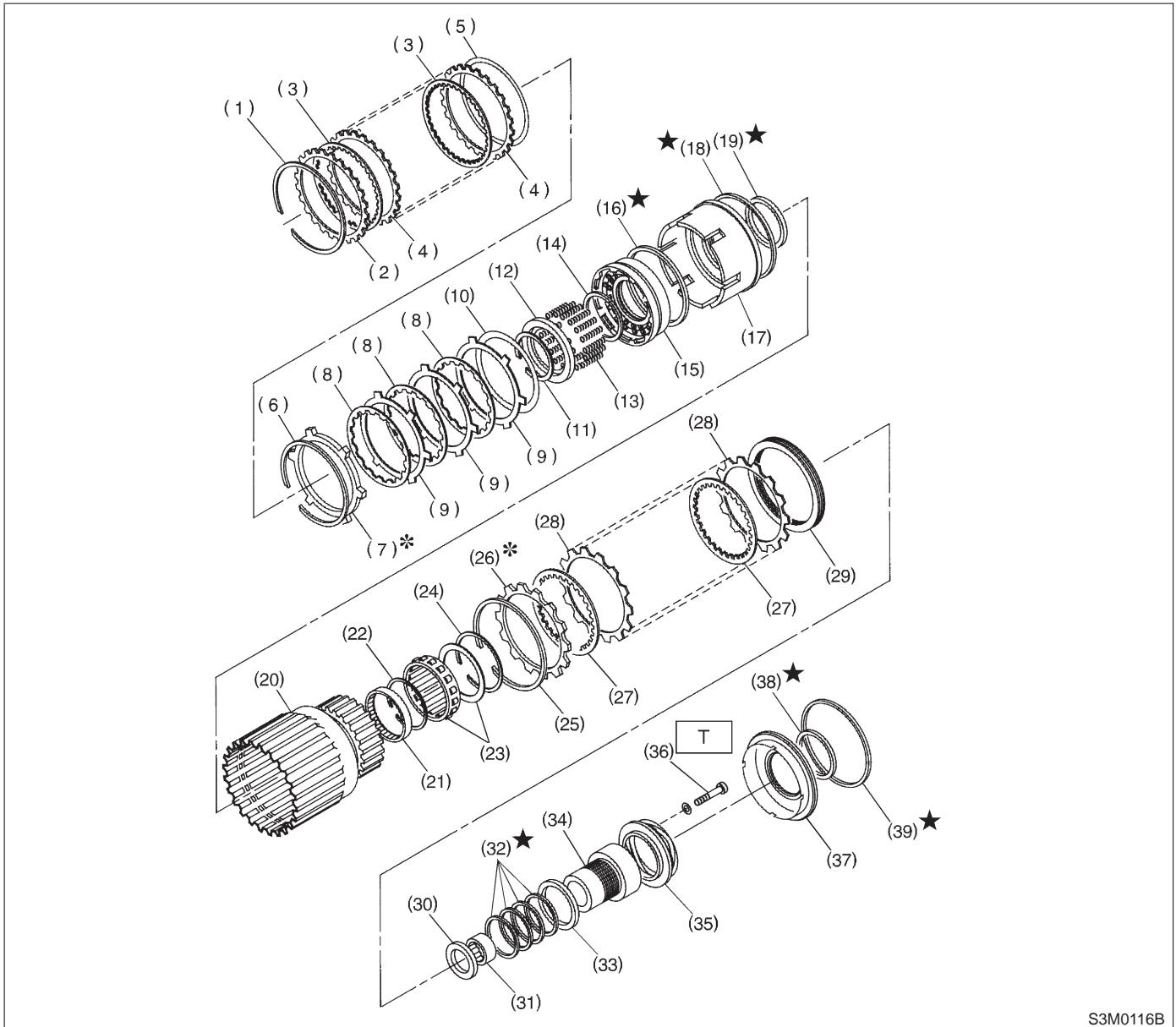


7. Forward Clutch and Low & Reverse Brake



S3M0116B

- | | | |
|--------------------------|---------------------------|--------------------------------------|
| (1) Snap ring | (15) Overrunning piston | (29) Wave spring |
| (2) Retaining plate | (16) Lathe cut seal ring | (30) Thrust needle bearing |
| (3) Drive plate | (17) Forward piston | (31) Needle bearing |
| (4) Driven plate | (18) Lip seal | (32) Seal ring |
| (5) Dish plate | (19) Lathe cut seal ring | (33) Thrust washer |
| (6) Snap ring | (20) Forward clutch drum | (34) One-way clutch inner race (1-2) |
| (7) Retaining plate | (21) Needle bearing | (35) Spring retainer |
| (8) Drive plate | (22) Snap ring | (36) Socket bolt |
| (9) Driven plate | (23) One-way clutch (1-2) | (37) Low & reverse piston |
| (10) Dish plate | (24) Snap ring | (38) Lathe cut seal ring |
| (11) Snap ring | (25) Snap ring | (39) Lathe cut seal ring |
| (12) Spring retainer | (26) Retaining plate | |
| (13) Spring | (27) Drive plate | |
| (14) Lathe cut seal ring | (28) Driven plate | |

Tightening torque: N-m (kg-m, ft-lb)

T: 25±2 (2.5±0.2, 18.1±1.4)