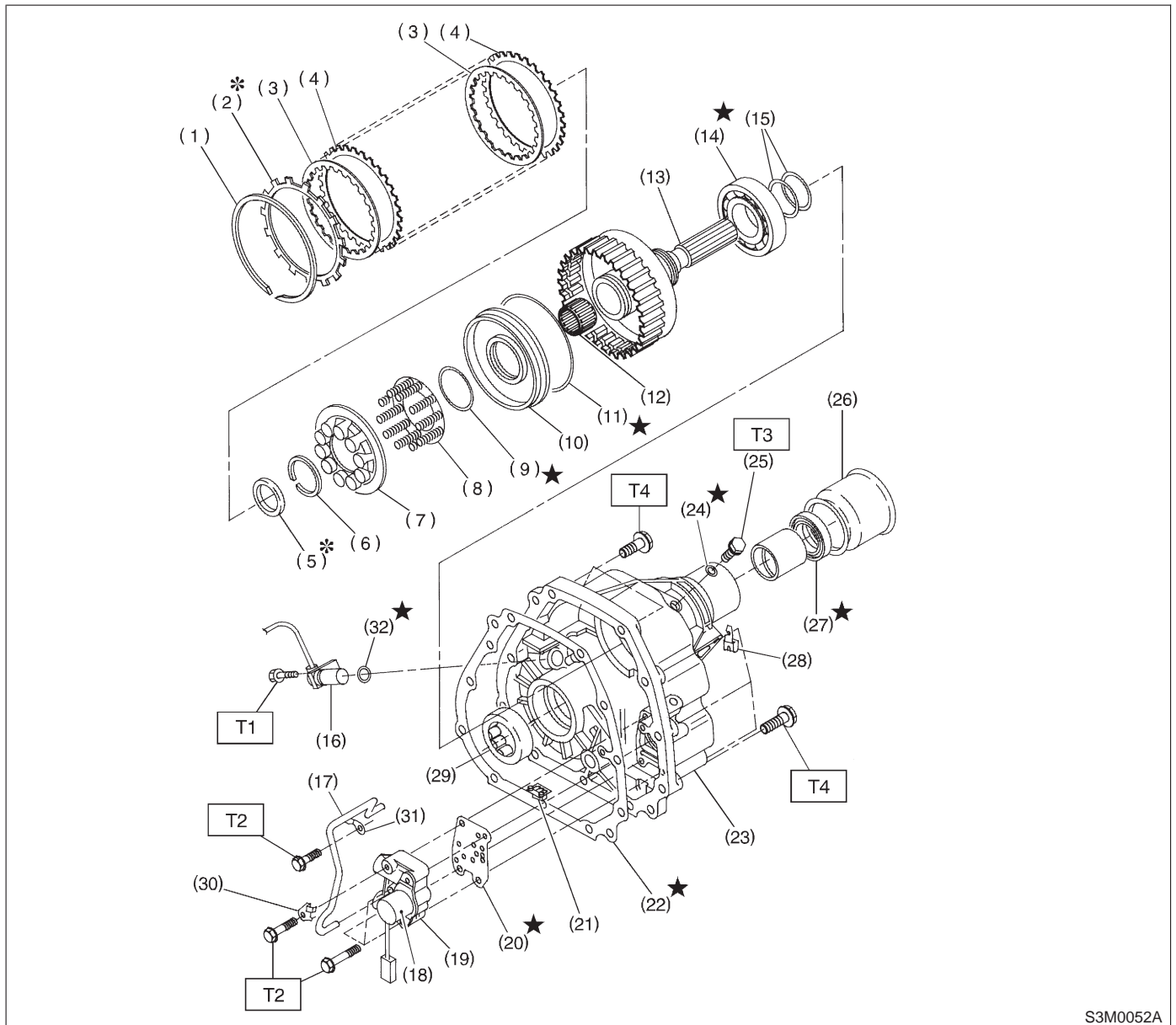


10. Transfer and Extension



S3M0052A

- | | | |
|-----------------------------|--|---------------------|
| (1) Snap ring | (15) Seal ring | (28) Clip |
| (2) Pressure plate | (16) Vehicle speed sensor 1 (AWD only) | (29) Roller bearing |
| (3) Drive plate | (17) Transfer clutch pipe | (30) Clip |
| (4) Driven plate | (18) Duty solenoid C (Transfer clutch) | (31) Stay |
| (5) Thrust needle bearing | (19) Transfer valve body | (32) O-ring |
| (6) Snap ring | (20) Transfer valve plate | |
| (7) Seal transfer piston | (21) Filter | |
| (8) Spring retainer | (22) Gasket | |
| (9) Lathe cut seal ring | (23) Extension case | |
| (10) Transfer clutch piston | (24) O-ring | |
| (11) Lathe cut seal ring | (25) Test plug | |
| (12) Needle bearing | (26) Dust seal | |
| (13) Rear drive shaft | (27) Oil seal | |
| (14) Ball bearing | | |

Tightening torque: N-m (kg-m, ft-lb)

T1: 7±1 (0.7±0.1, 5.1±0.7)

T2: 8±1 (0.8±0.1, 5.8±0.7)

T3: 13±1 (1.3±0.1, 9.4±0.7)

T4: 25±2 (2.5±0.2, 18.1±1.4)