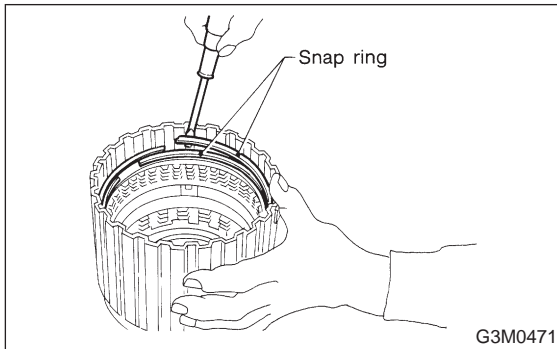


19. Forward Clutch Drum

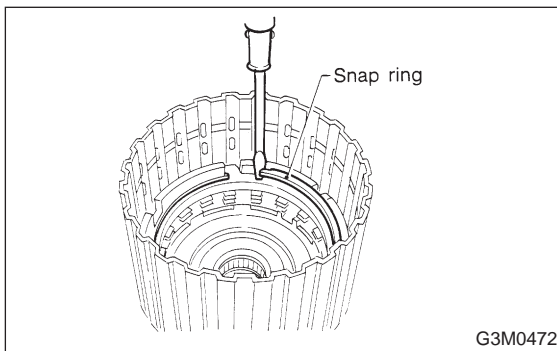
A: DISASSEMBLY

1) Remove two snap rings from the forward clutch drum.



2) Remove the retaining plate, drive plates, driven plates and dish plate. (Forward clutch)

3) Remove the snap ring from the forward clutch drum.

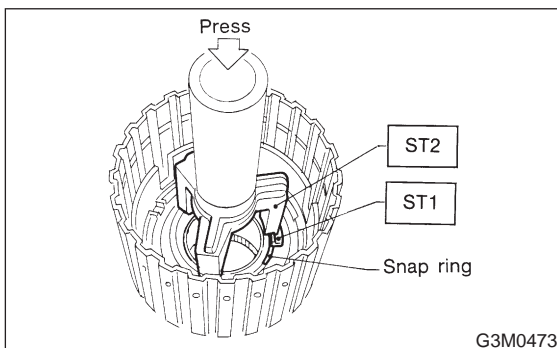


4) Remove the retaining plate, drive plates, driven plates and dish plate. (Overrunning clutch)

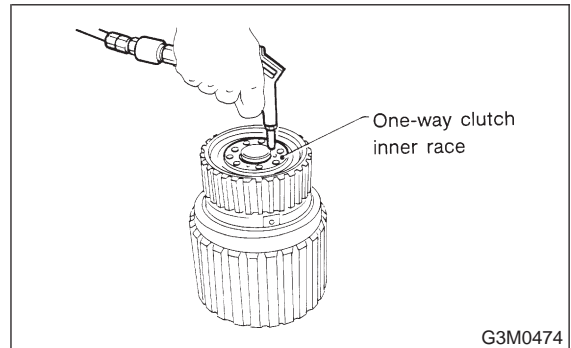
5) Compress the spring retainer, and remove the snap ring from the forward clutch, by using ST1 and ST2.

ST1 498627100 SEAT

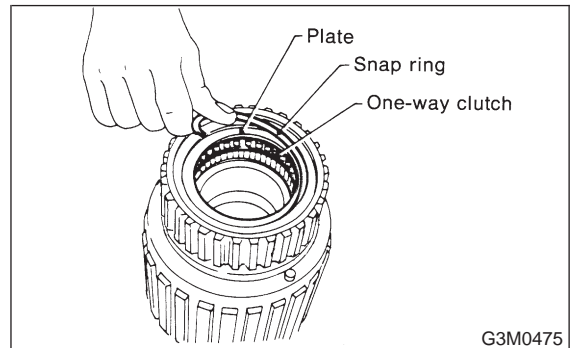
ST2 398673600 COMPRESSOR



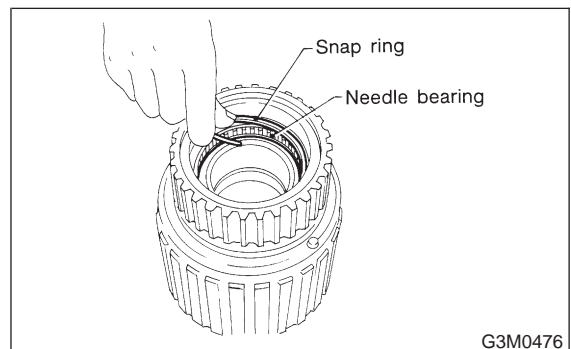
6) Install the one-way clutch inner race to the forward clutch drum, and apply compressed air to remove the overrunning piston and forward piston.



7) Remove the one-way clutch after taking out the snap ring.



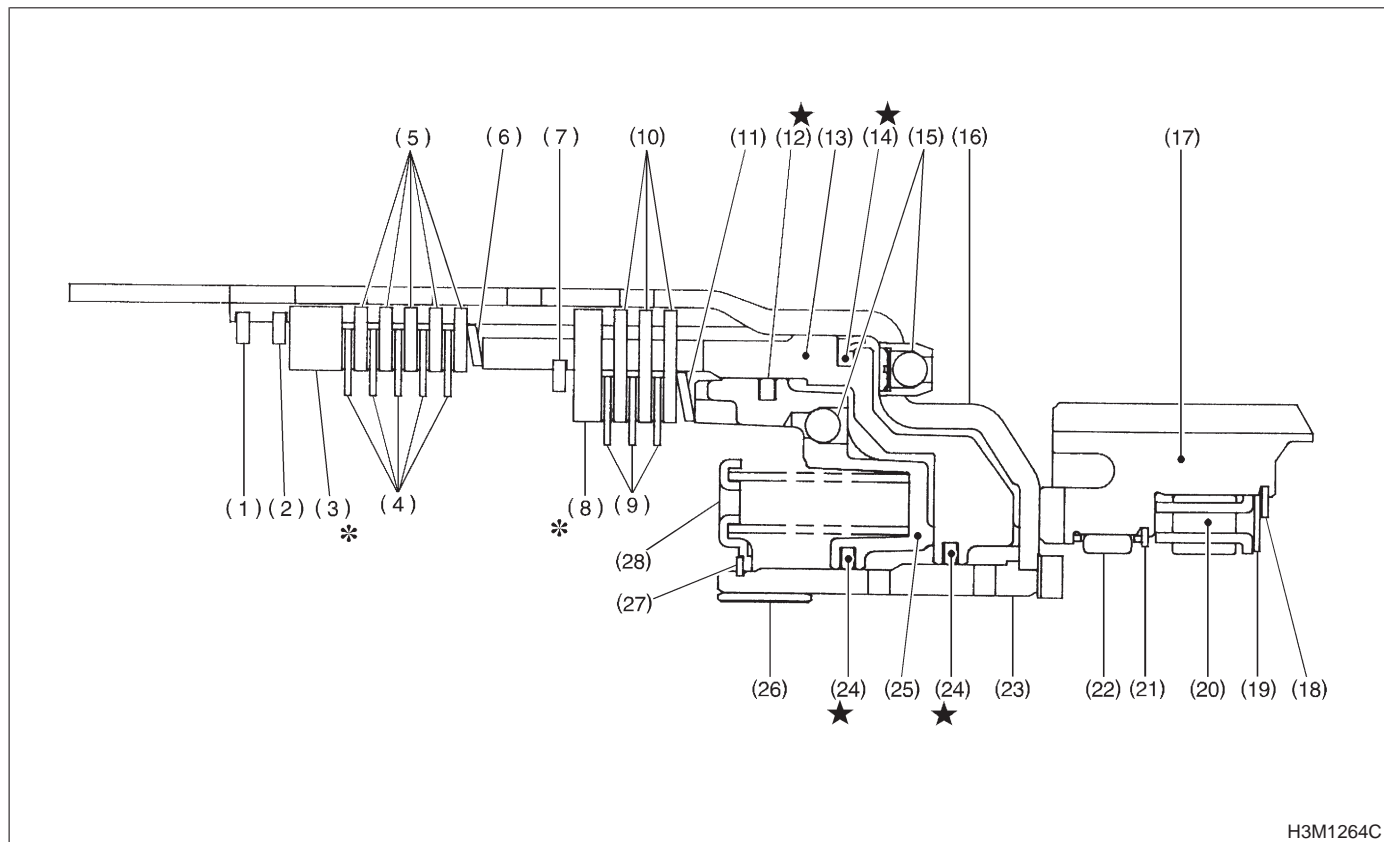
8) Remove the needle bearing after taking out the snap ring.



B: INSPECTION

- 1) Drive plate facing for wear and damage
- 2) Snap ring for wear, return spring for setting and breakage, and snap ring retainer for deformation
- 3) Lip seal and lathe cut ring for damage
- 4) Piston and drum check ball for operation

C: ASSEMBLY



H3M1264C

- | | | |
|----------------------------|----------------------------|--------------------------------|
| (1) Snap ring | (11) Dish plate | (21) Snap ring |
| (2) Snap ring | (12) Lathe cut seal ring | (22) Needle bearing |
| (3) Retaining plate | (13) Forward clutch piston | (23) Sleeve |
| (4) Driven plate (Thicker) | (14) Lathe cut seal ring | (24) Lathe cut seal ring |
| (5) Driven plate (Thinner) | (15) Drift ball | (25) Overrunning clutch piston |
| (6) Dish plate | (16) Forward clutch drum | (26) Bushing |
| (7) Snap ring | (17) Outer race | (27) Snap ring |
| (8) Retaining plate | (18) Snap ring | (28) Retainer |
| (9) Drive plate | (19) Plate | |
| (10) Driven plate | (20) O.W.C. (1-2) | |

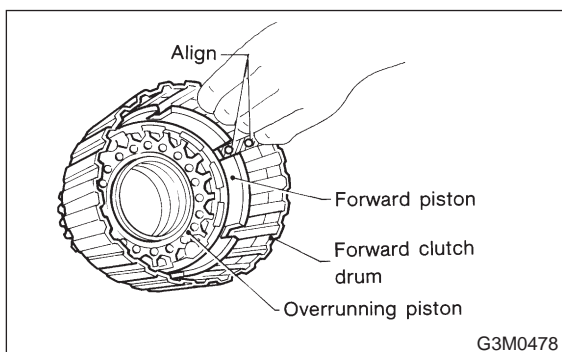
1) Fit the forward piston and overrunning piston to the forward clutch drum.

NOTE:

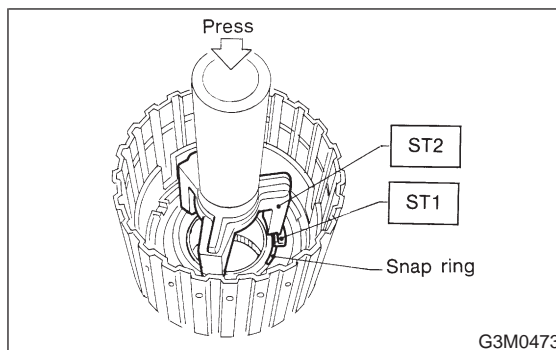
Align the forward piston cut-out portion with the spline of the drum.

2) Set the retainer on the piston with a press using ST1 and ST2, and attach the snap ring.

- ST1 498627000 SEAT
ST2 398673600 COMPRESSOR



G3M0478

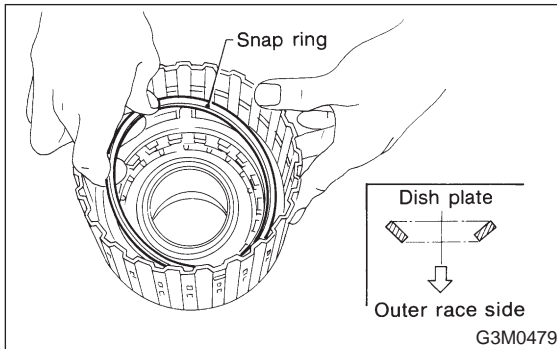


G3M0473

3) Install the dish plate, driven plates, drive plates, and retaining plate, and secure with the snap ring. (Overrunning clutch)

NOTE:

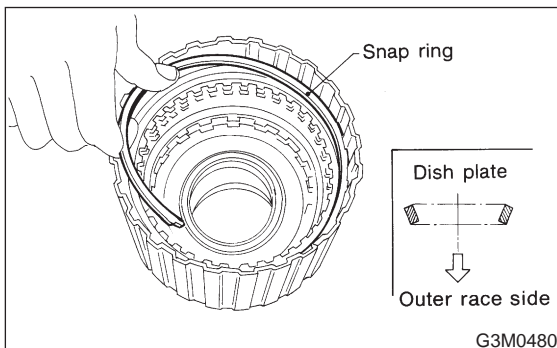
Pay attention to the orientation of the dish plate.



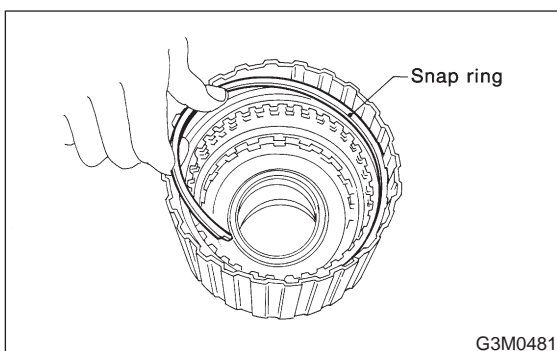
4) Install the dish plates, driven plates, drive plates, and retaining plate, and secure with the snap ring. (Forward clutch)

NOTE:

Pay attention to the orientation of the dish plate.

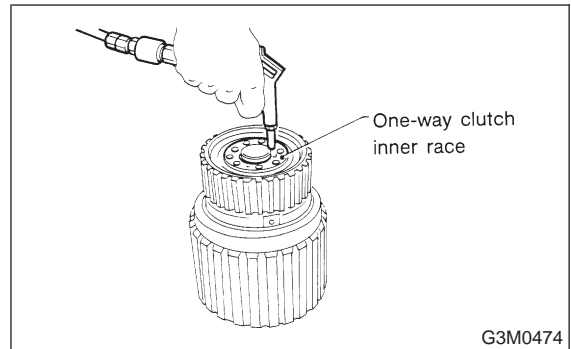


5) Install the snap ring (for front planetary carrier).



6) Check the forward clutch and overrunning clutch for operation.

Set the one-way clutch inner race, and apply compressed air for checking.



7) Checking forward clutch clearance.

NOTE:

Before measuring clearance, place the same thickness of shim on both sides to prevent retaining plate from tilting.

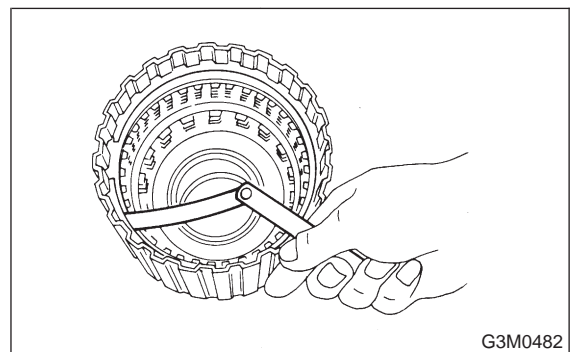
If the clearance is out of the specified range, select a proper retaining plate so that the standard clearance can be obtained.

Standard value:

0.45 — 0.85 mm (0.0177 — 0.0335 in)

Allowable limit:

1.6 mm (0.063 in)



Available retaining plates (Forward clutch)	
Part No.	Thickness mm (in)
31567AA270	4.0 (0.157)
31567AA280	4.2 (0.165)
31567AA290	4.4 (0.173)
31567AA300	4.6 (0.181)
31567AA310	4.8 (0.189)
31567AA320	5.0 (0.197)
31567AA330	5.2 (0.205)

8) Checking overrunning clutch clearance

NOTE:

Before measuring clearance, place the same thickness of shim on both sides to prevent retaining plate from tilting.

20. One-way Clutch Outer Race

If the clearance is out of the specified range, select a proper retaining plate so that the standard clearance can be obtained.

Standard value:

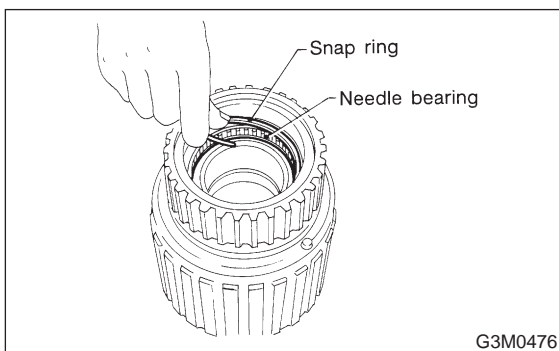
1.0 — 1.4 mm (0.039 — 0.055 in)

Allowable limit:

2.0 mm (0.079 in)

Available retaining plates (Overrunning clutch)	
Part No.	Thickness mm (in)
31567AA120	8.0 (0.315)
31567AA130	8.2 (0.323)
31567AA140	8.4 (0.331)
31567AA150	8.6 (0.339)
31567AA160	8.8 (0.346)
31567AA170	9.0 (0.354)
31567AA180	9.2 (0.362)

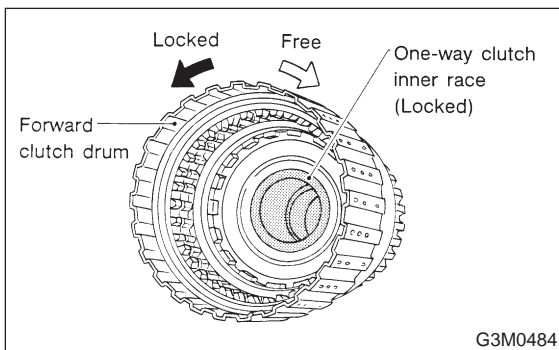
9) Install the needle bearing, and secure with the snap ring.



10) Install the one-way clutch (1-2) and plate, and secure with the snap ring.

NOTE:

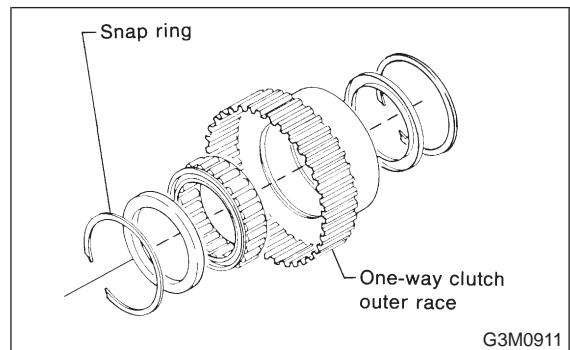
Set the inner race. Make sure that the forward clutch is free in the clockwise direction and locked in the counterclockwise direction, as viewed from the front of the vehicle.



20. One-way Clutch Outer Race

A: DISASSEMBLY

Remove the snap ring. Then remove the one-way clutch (3-4).



B: INSPECTION

Check the sliding surface and one-way clutch (3-4) for any harmful cuts, damage, or other faults.

C: ASSEMBLY

1) Assemble the one-way clutch (3-4), and secure with the snap ring.

NOTE:

Pay attention to the orientation of the one-way clutch (3-4).

2) Assemble the rear internal gear, and secure the outer race. Make sure that the internal gear is locked in the clockwise direction, and free to rotate in the counterclockwise direction.

