

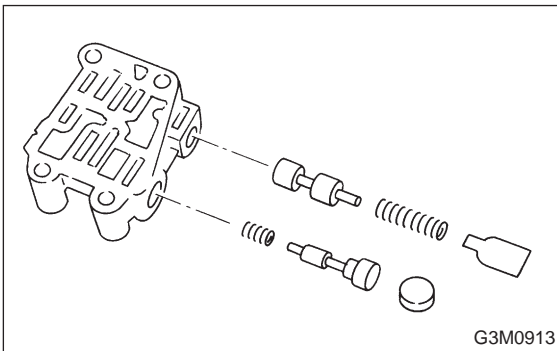
24. Transfer Valve Body

A: DISASSEMBLY

- 1) Remove the plate. Then remove the spring and pilot valve together.
- 2) Remove the straight pin and pry out the plug with a screwdriver. Then extract the spring and transfer clutch valve together.

CAUTION:

Be careful not to damage the valve and valve body.



B: INSPECTION

Check each component for harmful cuts, damage, or other faults.

C: ASSEMBLY

To assemble, reverse the removal sequence.

NOTE:

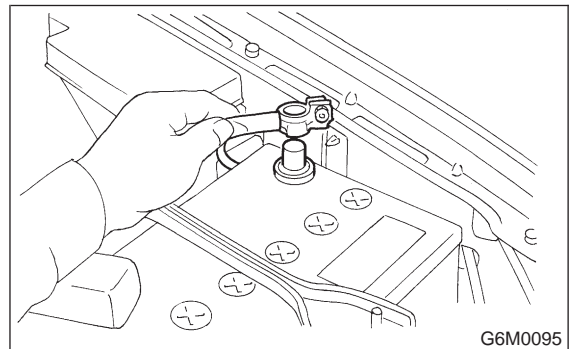
Make sure the valve slides smoothly after assembling.

25. Transmission Control Module

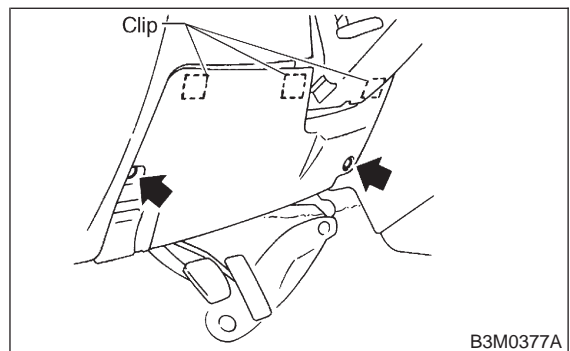
A: REMOVAL

1. LHD

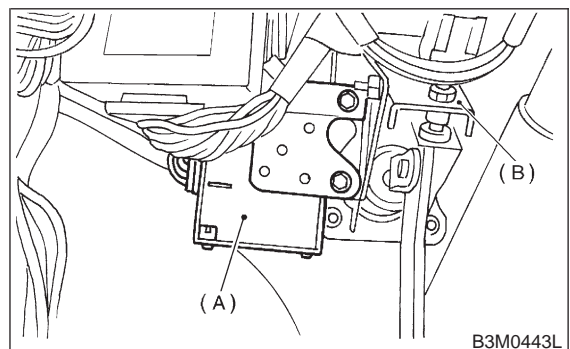
- 1) Disconnect battery ground cable.



- 2) Remove lower cover and then disconnect connector.



- 3) Remove transmission control module.

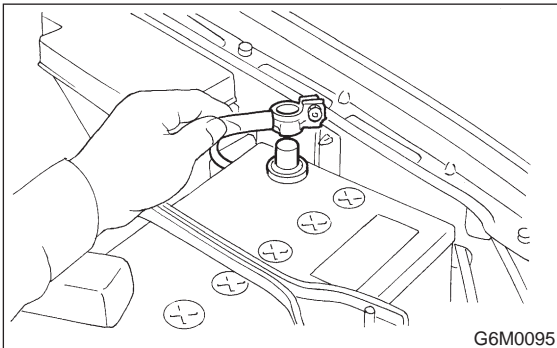


- (A) Transmission control module
- (B) Pedal bracket

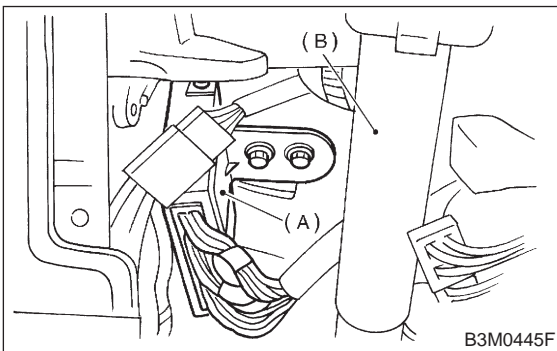
- 4) Disconnect connectors form TCM.

2. RHD

- 1) Disconnect battery ground cable.



- 2) Remove lower cover and then disconnect connector.
- 3) Remove transmission control module.



- (A) Transmission control module
- (B) Column shaft

- 4) Disconnect connectors from transmission control module.

B: INSTALLATION

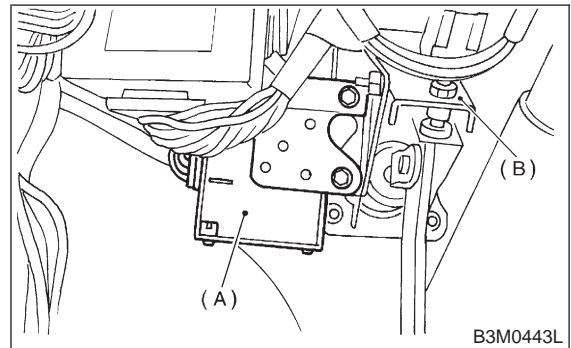
1. LHD

- 1) Connect connectors to TCM.

- 2) Install TCM to steering support beam.

Tightening torque:

$7.4 \pm 2.0 \text{ N}\cdot\text{m}$ ($0.75 \pm 0.2 \text{ kg}\cdot\text{m}$, $5.4 \pm 1.4 \text{ ft}\cdot\text{lb}$)



- (A) Transmission control module
- (B) Pedal bracket

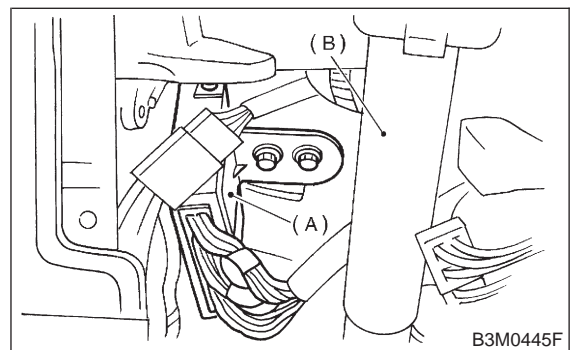
- 3) Remove TCM from steering support beam.

2. RHD

- 1) Connect connectors to transmission control module.
- 2) Install transmission control module.

Tightening torque:

$25 \pm 5 \text{ N}\cdot\text{m}$ ($2.5 \pm 0.5 \text{ kg}\cdot\text{m}$, $18.1 \pm 3.6 \text{ ft}\cdot\text{lb}$)



- (A) Transmission control module
- (B) Column shaft

- 3) Installing procedure hereafter is in the reverse order of removal.

MEMO: