

## 3-4 [W2A1]

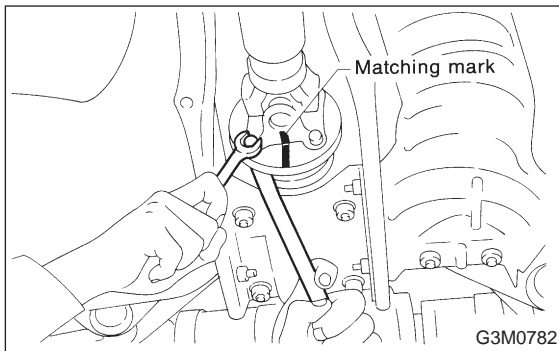
### 2. Rear Differential

## SERVICE PROCEDURE

2) Align matching marks and connect flange yoke and rear differential.

**Tightening torque:**

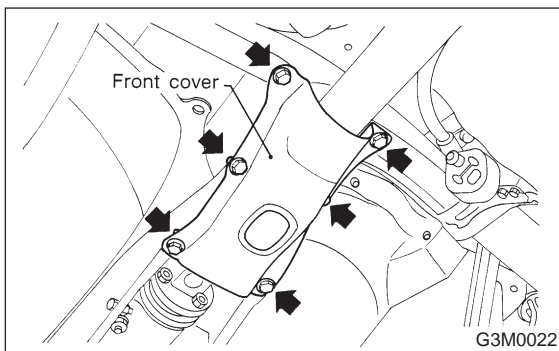
**$31\pm 8$  N·m ( $3.2\pm 0.8$  kg·m,  $23.1\pm 5.8$  ft·lb)**



3) Install differential mount front cover.

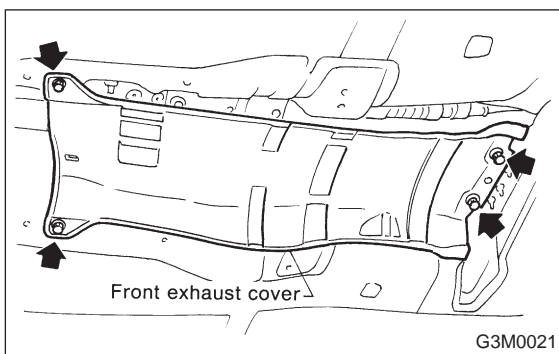
**Tightening torque:**

**$88\pm 10$  N·m ( $9.0\pm 1.0$  kg·m,  $65\pm 7$  ft·lb)**



4) Install front exhaust cover.

5) Install rear exhaust pipe and muffler.

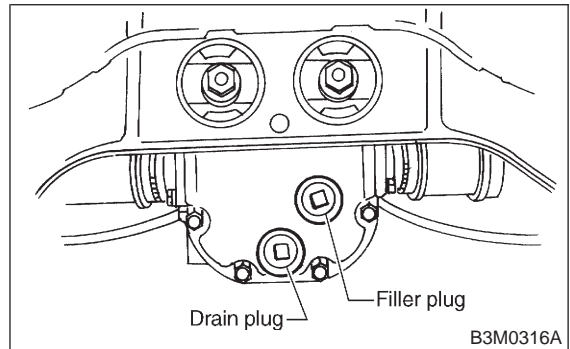


## 2. Rear Differential

### A: ON-CAR SERVICE

#### 1. FRONT OIL SEAL

- 1) Disconnect ground cable from battery.
- 2) Move selector lever or gear shift lever to "N".
- 3) Release the parking brake.
- 4) Remove oil drain plug, and drain gear oil.

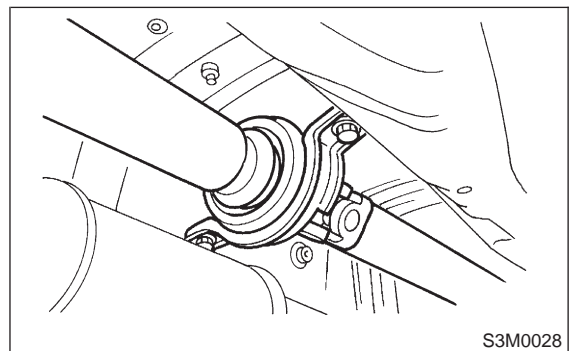


5) Jack-up rear wheels and support the vehicle body with sturdy racks.

6) Remove propeller shaft from body. <Ref. to 3-4 [W1B0].>

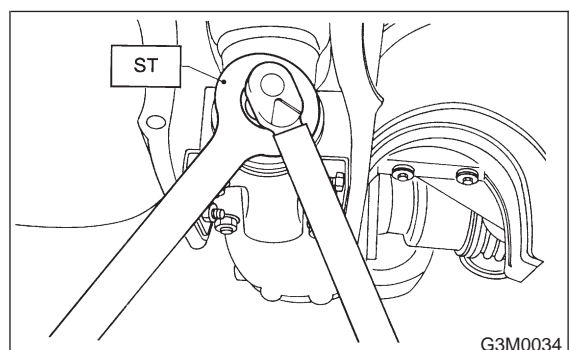
#### CAUTION:

Wrap metal parts with a cloth or rubber material to prevent damage from adjacent metal parts.

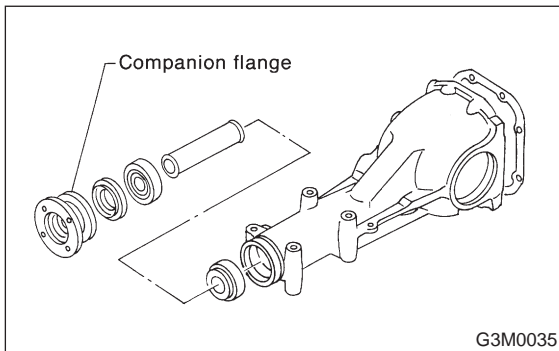


7) Remove self-locking nut while holding companion flange with ST.

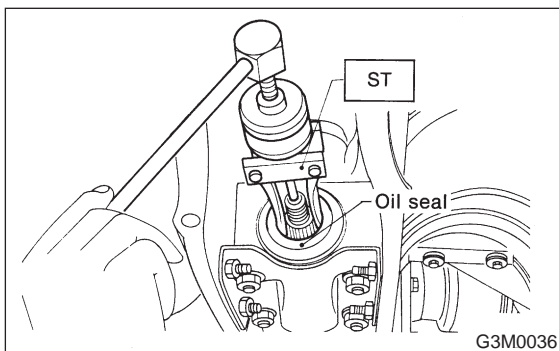
ST 498427200 FLANGE WRENCH



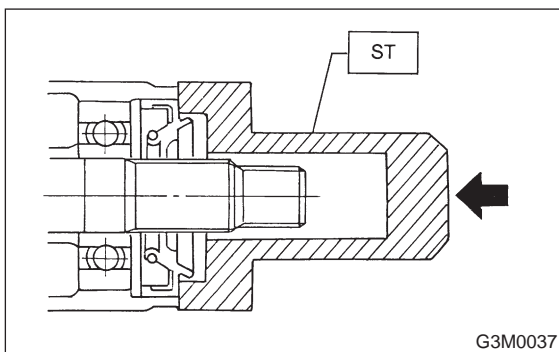
8) Extract companion flange with a puller.



9) Remove oil seal using ST.  
ST 398527700 PULLER ASSY (T-type)  
ST 499705401 PULLER ASSY (VA-type)



10) Fit a new oil seal using ST.  
ST 498447120 OIL SEAL INSTALLER



11) Install companion flange.

12) Tighten self-locking nut within the specified torque range so that the turning resistance of companion flange becomes the same as that before replacing oil seal.

**CAUTION:**  
Use a new self-locking nut.

ST 498427200 FLANGE WRENCH

**Tightening torque:**

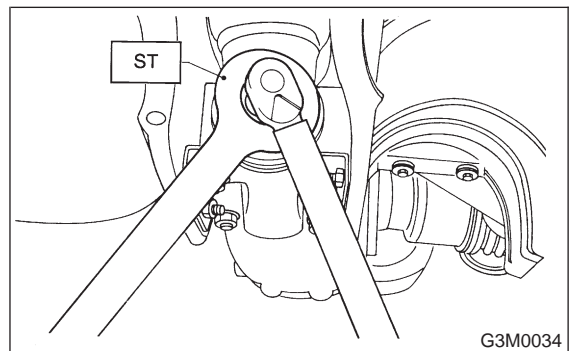
**T-type;**

**181.4±14.7 N·m (18.50±1.50 kg·m,**

**133.8±10.8 ft·lb)**

**VA-type;**

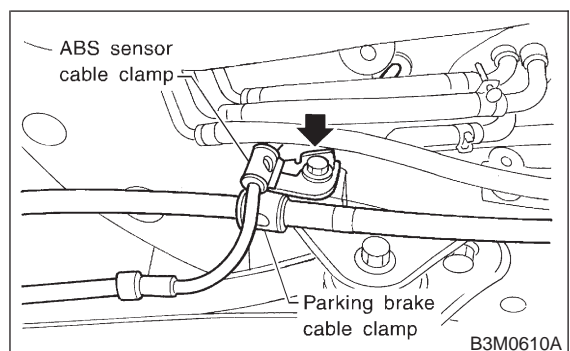
**188±26 N·m (19.2±2.7 kg·m, 139±20 ft·lb)**



13) Reassembling procedure hereafter is the reverse of the disassembling.

## 2. SIDE OIL SEAL (T-TYPE)

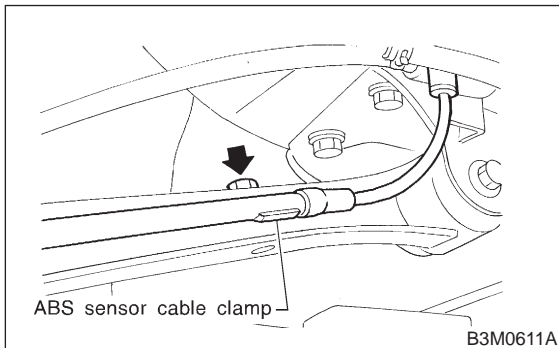
- 1) Disconnect ground cable from battery.
- 2) Move selector lever or gear shift lever to "N".
- 3) Release the parking brake.
- 4) Loosen both wheel nuts.
- 5) Jack-up the vehicle and support it with rigid racks.
- 6) Remove wheels.
- 7) Remove rear exhaust pipe.  
<Ref. to 2-9 [W3A0].>
- 8) Remove muffler.  
<Ref. to 2-9 [W4A0].>
- 9) Remove the ABS sensor cable clamp and parking brake cable clamp from bracket.



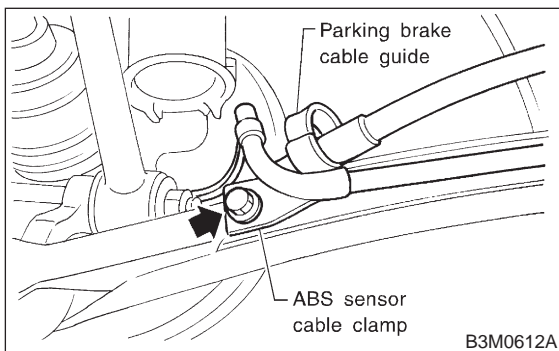
**3-4 [W2A2]**  
2. Rear Differential

**SERVICE PROCEDURE**

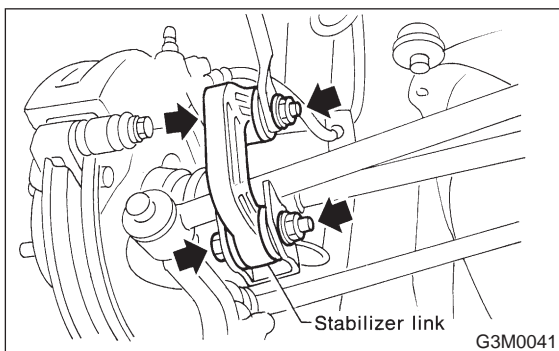
10) Remove the ABS sensor cable clamp from the trailing link.



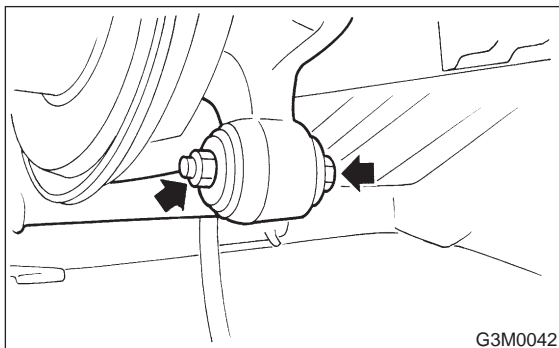
11) Remove the ABS sensor cable clamp and parking brake cable guide from the trailing link.



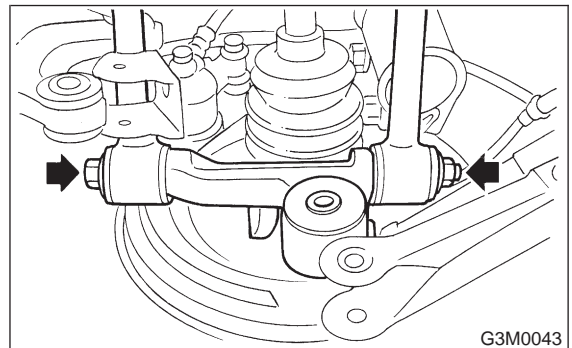
12) Remove the rear stabilizer link.



13) Remove the bolts which secure the trailing link to the rear housing.



14) Remove the bolts which secure the front and rear lateral link to the rear housing.

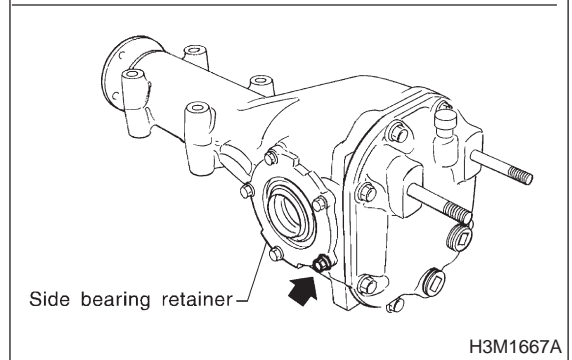
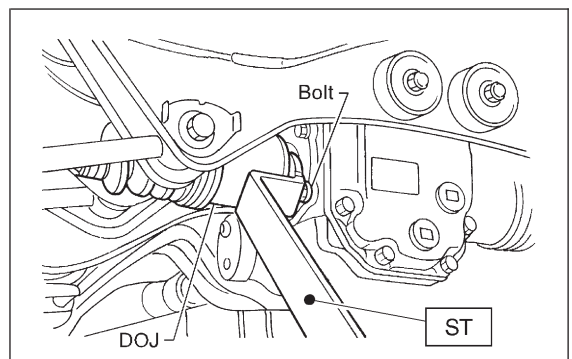


15) Remove crossmember reinforcement lower (Sedan only).

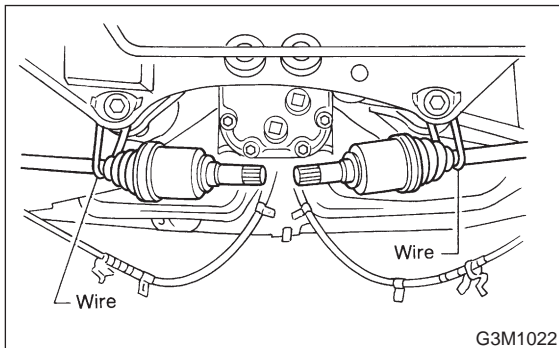
16) Remove the DOJ from the rear differential by using ST.

**CAUTION:**  
When removing the DOJ from the rear differential, fit tire lever to the bolt as shown in figure so as not to damage the side bearing retainer.

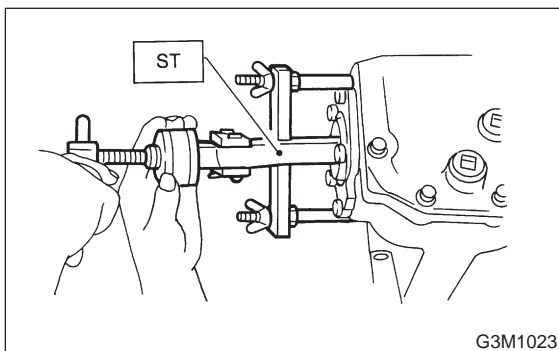
ST 208099PA100 DRIVE SHAFT REMOVER



17) Secure rear drive shaft to rear crossmember using wire.

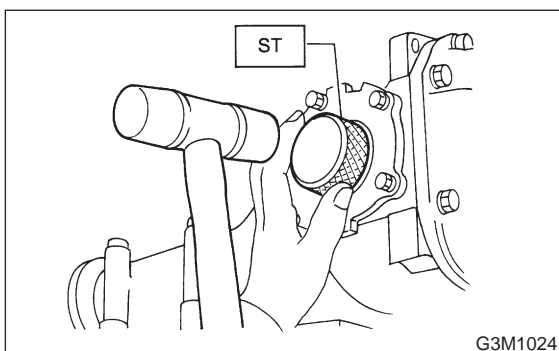


18) Remove side oil seal with ST.  
ST 398527700 PULLER ASSY

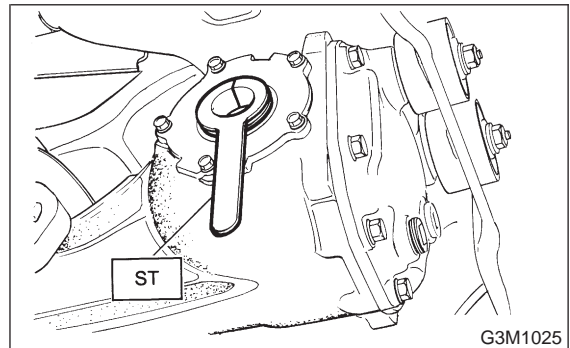


19) Drive in a new side oil seal with ST.

**CAUTION:**  
Apply chassis grease between the oil seal lips.  
ST 398437700 DRIFT

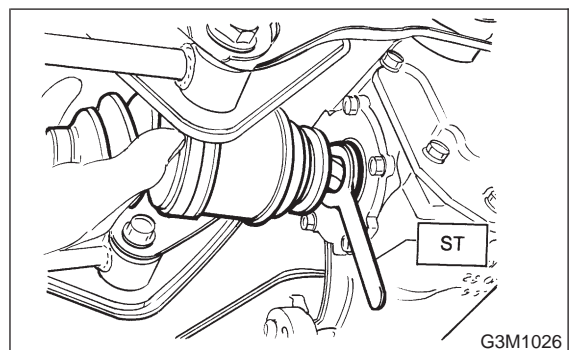


20) Install ST to rear differential.  
ST 28099PA090 SIDE OIL SEAL PROTECTOR



21) Insert the spline shaft until the spline portion is inside the side oil seal.

ST 28099PA090 SIDE OIL SEAL PROTECTOR



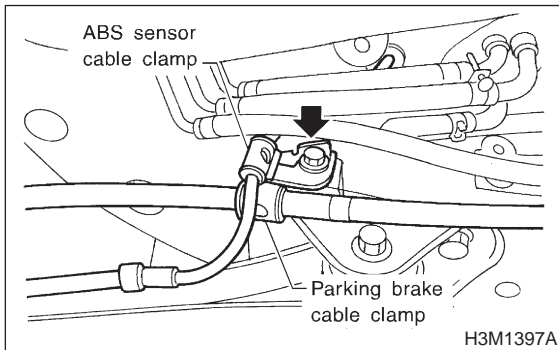
22) Remove ST.  
ST 28099PA090 SIDE OIL SEAL PROTECTOR

23) Hereafter, re-assemble in reverse order of disassembly.

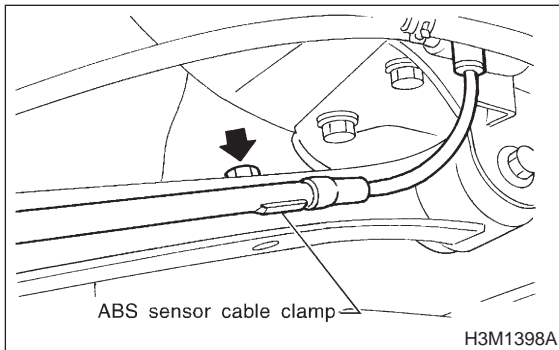
### 3. SIDE OIL SEAL (VA-TYPE)

- 1) Disconnect ground cable from battery.
- 2) Move selector lever or gear shift lever to "N".
- 3) Release the parking brake.
- 4) Loosen both wheel nuts.
- 5) Jack-up the vehicle and support it with rigid racks.
- 6) Remove wheels.
- 7) Remove rear exhaust pipe.  
<Ref. to 2-9 [W3A0].>
- 8) Remove muffler.  
<Ref. to 2-9 [W4A0].>
- 9) Remove the DOJ of rear drive shaft from rear differential.

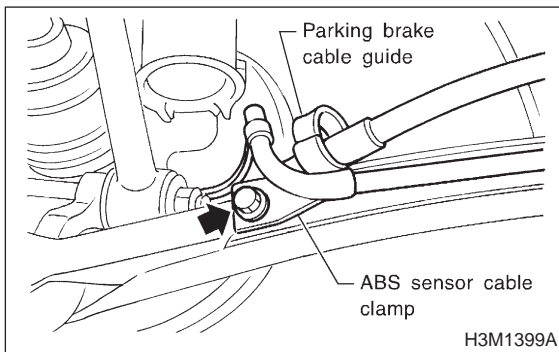
(1) Remove the ABS sensor cable clamp and parking brake cable clamp from bracket.



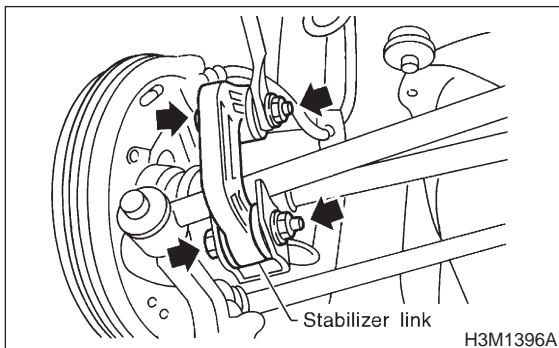
(2) Remove the ABS sensor cable clamp from the trailing link.



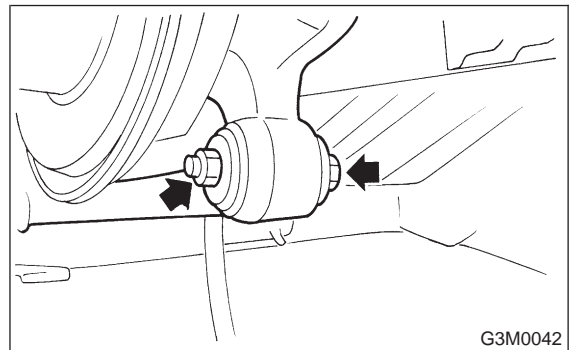
(3) Remove the ABS sensor cable clamp and parking brake cable guide from the trailing link.



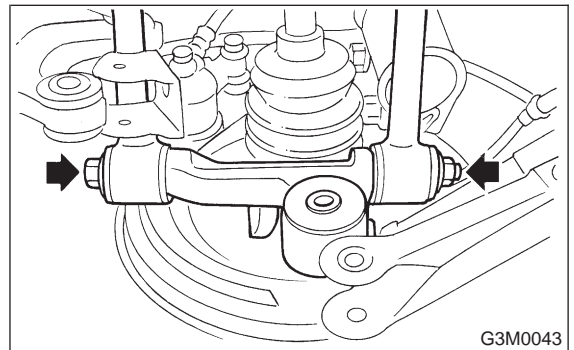
(4) Remove the rear stabilizer link.



(5) Remove the bolts which secure the trailing link to the rear housing.



(6) Remove the bolts which secure the front and rear lateral link to the rear housing.



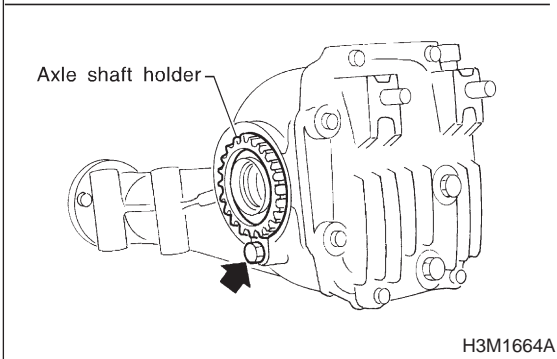
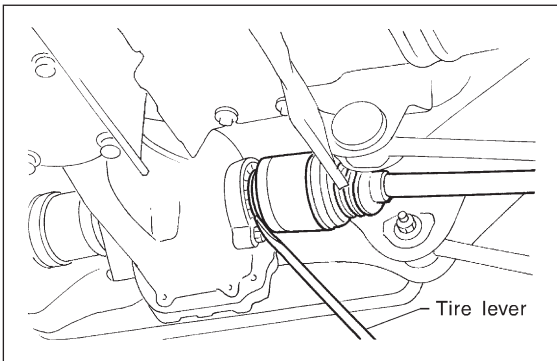
(7) Remove the DOJ from the rear differential with tire lever.

**CAUTION:**

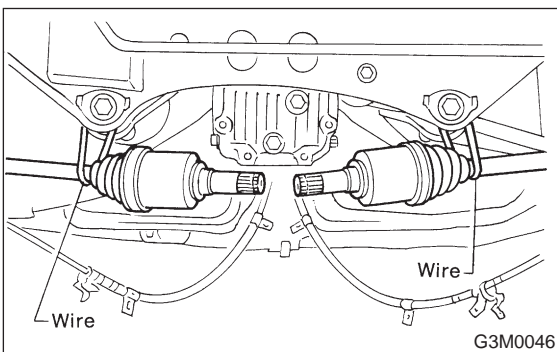
When removing the DOJ from the rear differential, fit tire lever to the bolt as shown in figure so as not to damage the axle shaft holder.

**NOTE:**

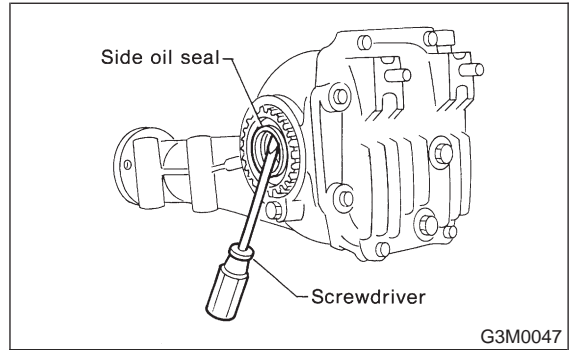
The side spline shaft circlip comes out together with the shaft.



10) Secure rear drive shaft to rear crossmember using wire.



11) Remove oil seal with screwdriver.

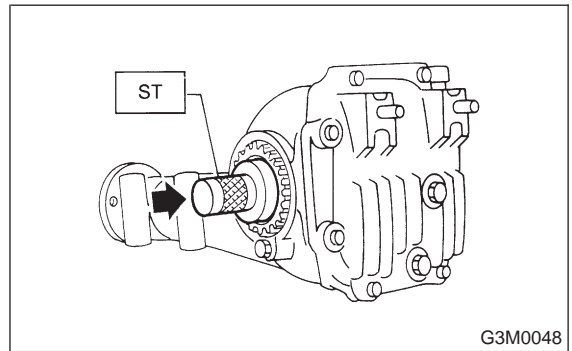


12) Drive in a new side oil seal with ST.

**CAUTION:**

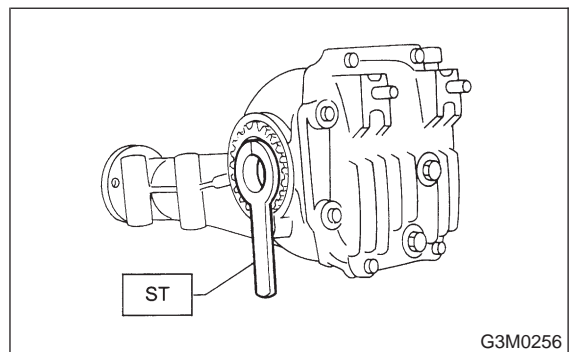
Apply chassis grease between the oil seal lips.

ST 498447100 OIL SEAL INSTALLER



13) Install ST to rear differential.

ST 28099PA090 SIDE OIL SEAL PROTECTOR



## 3-4 [W2B1]

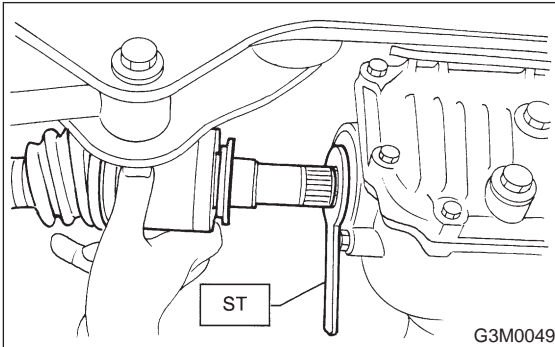
### 2. Rear Differential

## SERVICE PROCEDURE

14) Insert the spline shaft until the spline portion is inside the side oil seal.

#### CAUTION:

Before inserting, replace the circlip at the end of the spline shaft with a new one.



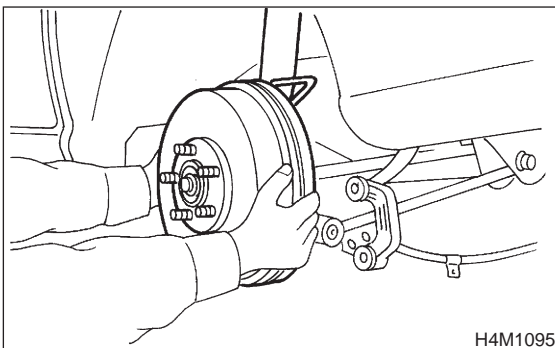
15) Remove ST.

ST 28099PA090 SIDE OIL SEAL PROTECTOR

16) Completely insert DOJ into rear differential by pressing rear housing.

#### NOTE:

Make sure that oil seal lip is not folded over inward.



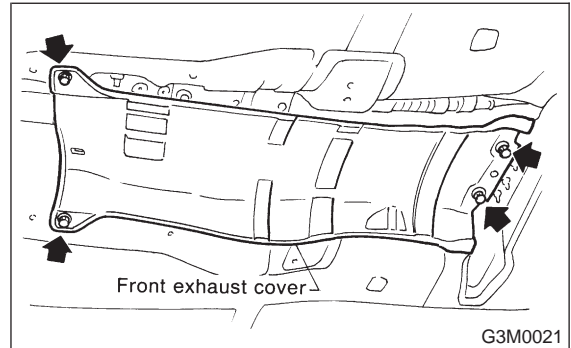
17) Hereafter, re-assemble in reverse order of disassembly.

## B: REMOVAL

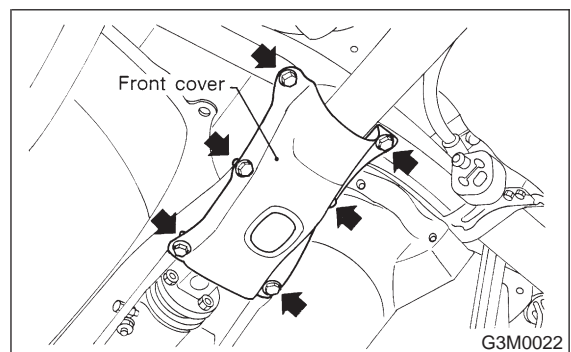
### 1. T-TYPE

- 1) Disconnect ground cable from battery.
- 2) Move selector lever or gear shift lever to "N".
- 3) Release the parking brake.
- 4) Loosen wheel nuts.
- 5) Jack-up vehicle and support it with sturdy racks.
- 6) Remove wheels.
- 7) Remove rear exhaust pipe.  
<Ref. to 2-9 [W3A0].>
- 8) Remove muffler.  
<Ref. to 2-9 [W4A0].>

9) Remove front exhaust cover.



10) Remove front cover of rear differential mount.



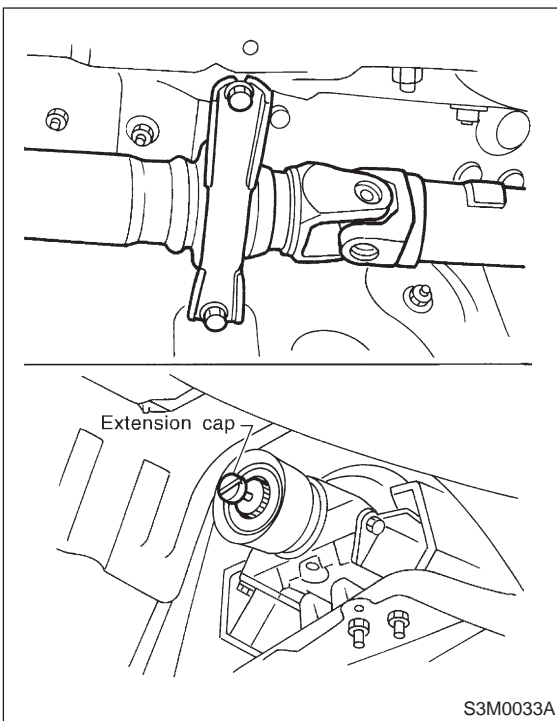
11) Remove propeller shaft.

**CAUTION:**

When removing propeller shaft, pay attention not to damage the sliding surfaces of rear drive shaft (extension) spline, oil seal and sleeve yoke.

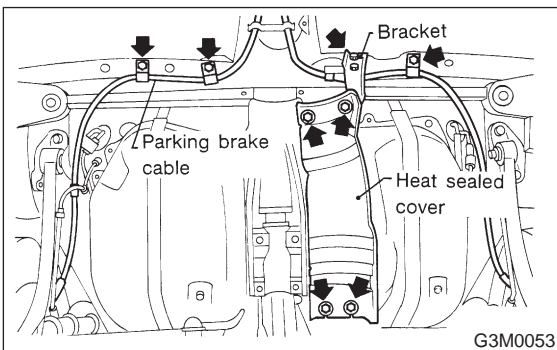
**NOTE:**

- Prepare an oil can and cap since the transmission oil flows out from the extension at removing propeller shaft.
- Insert the cap into the extension to prevent transmission oil from flowing out immediately after removing the propeller shaft.



12) Remove heat sealed cover.

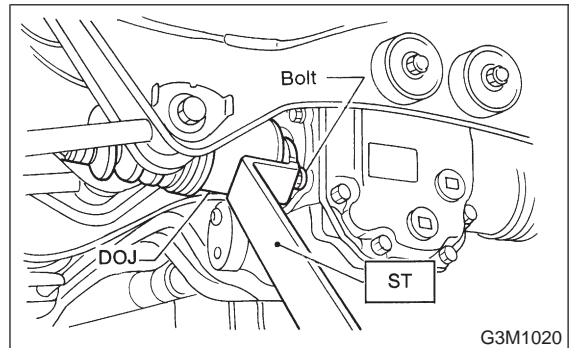
13) Remove clamps and bracket of parking brake cable.



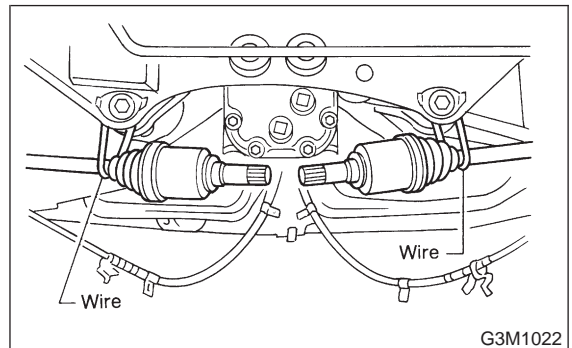
14) Remove crossmember reinforcement lower (Sedan only).

15) Remove DOJ of rear drive shaft from rear differential using ST. <Ref. to 3-4 [W2A2].>

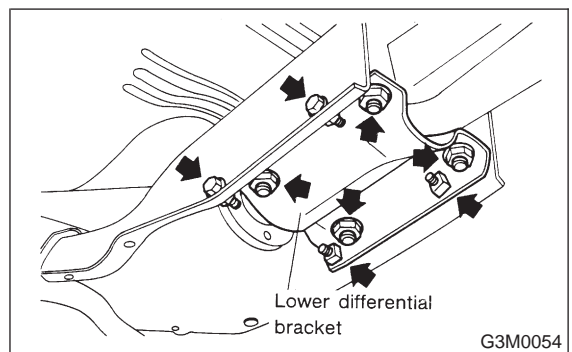
ST 28099PA100 DRIVE SHAFT REMOVER



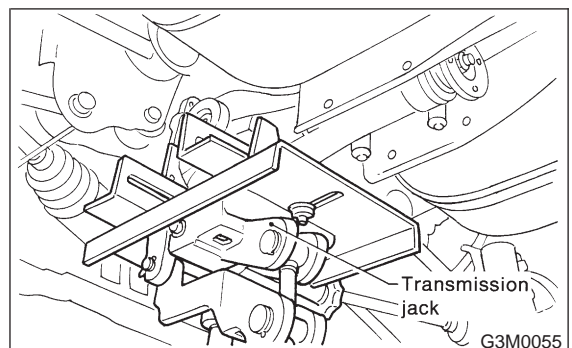
16) Secure rear drive shaft to rear crossmember using wire.



17) Remove lower differential bracket.



18) Support rear differential with transmission jack.



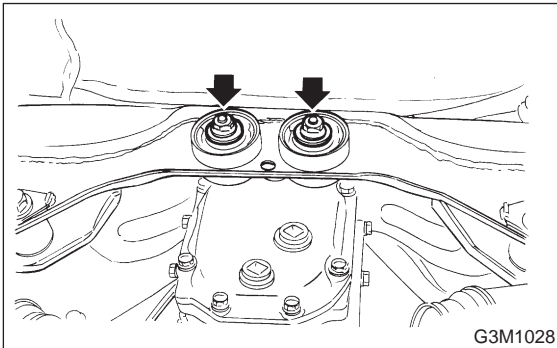


### 3-4 [W2B2]

#### 2. Rear Differential

## SERVICE PROCEDURE

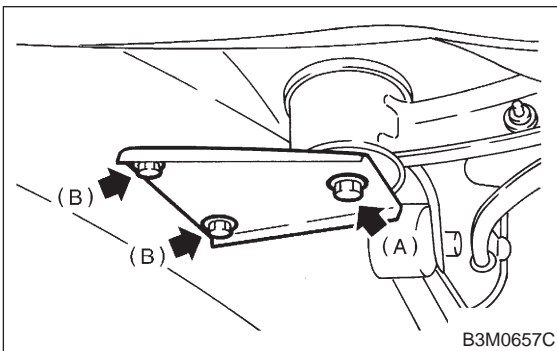
19) Remove self-locking nuts connecting rear differential to rear crossmember.



20) Remove bolts which secure rear differential front member to body. Loosen bolt (A) first, then remove bolts (B).

**NOTE:**

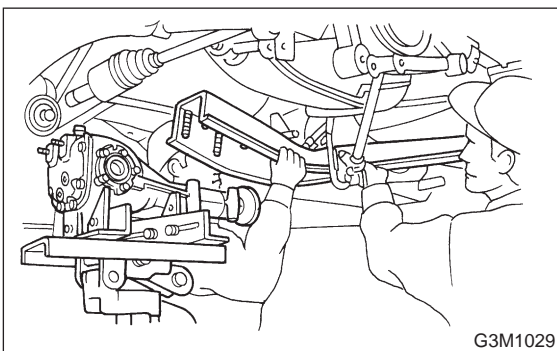
Support front member with the use of a helper to prevent it from dropping.



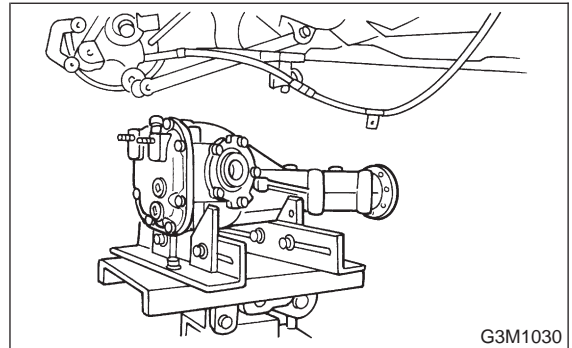
- (A) Bolt A
- (B) Bolt B

21) Remove bolt A.

22) While slowly lowering transmission jack, move rear differential forward and remove front member and rear differential from body.

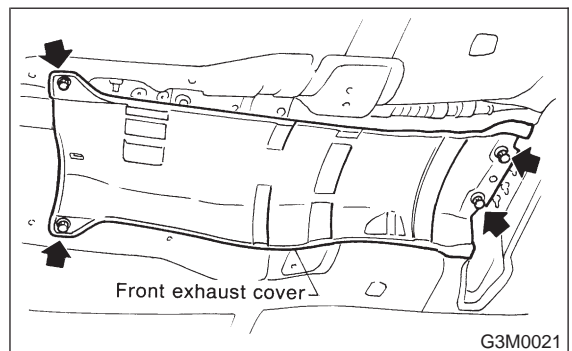


23) Remove rear differential from front member.

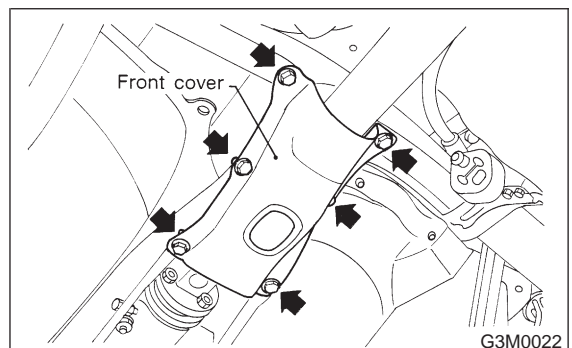


### 2. VA-TYPE

- 1) Disconnect ground cable from battery.
- 2) Move selector lever or gear shift lever to "N".
- 3) Release the parking brake.
- 4) Loosen wheel nuts.
- 5) Jack-up vehicle and support it with sturdy racks.
- 6) Remove wheels.
- 7) Remove rear exhaust pipe.  
<Ref. to 2-9 [W3A0].>
- 8) Remove muffler.  
<Ref. to 2-9 [W4A0].>
- 9) Remove front exhaust cover.



10) Remove front cover of rear differential mount.



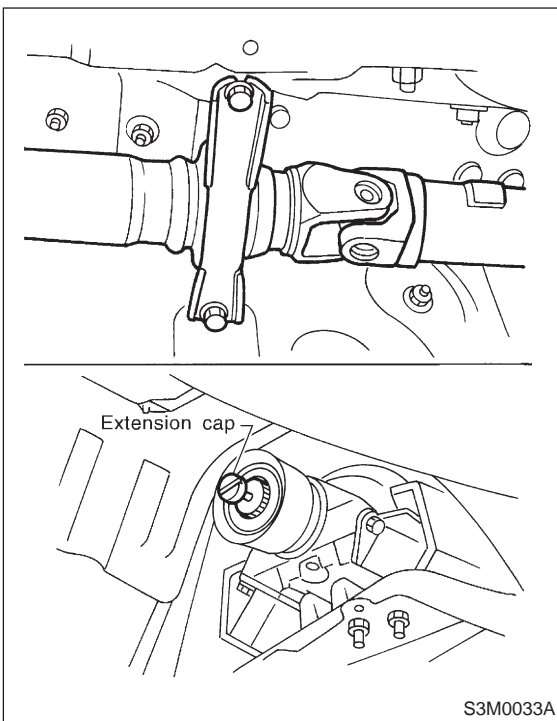
11) Remove propeller shaft.

**CAUTION:**

When removing propeller shaft, pay attention not to damage the sliding surfaces of rear drive shaft (extension) spline, oil seal and sleeve yoke.

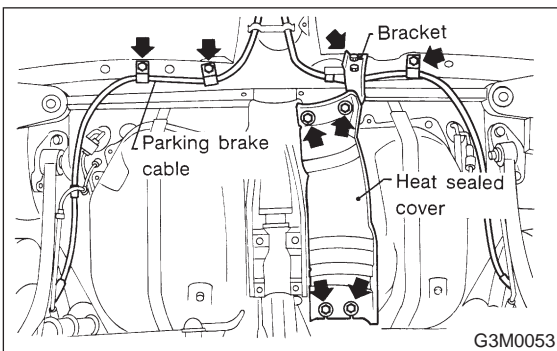
**NOTE:**

- Prepare an oil can and cap since the transmission oil flows out from the extension at removing propeller shaft.
- Insert the cap into the extension to prevent transmission oil from flowing out immediately after removing the propeller shaft.

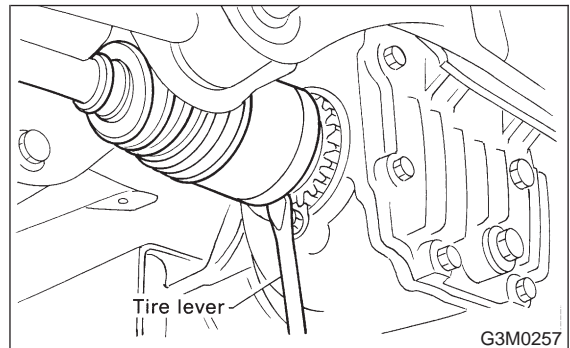


12) Remove heat sealed cover.

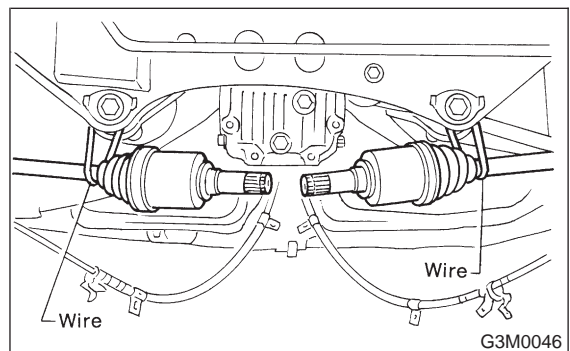
13) Remove clamps and bracket of parking brake cable.



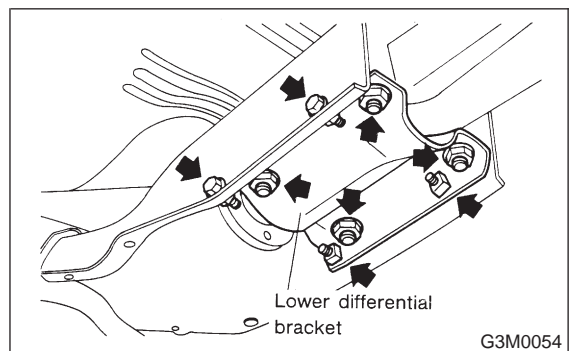
14) Remove DOJ of rear drive shaft from rear differential. <Ref. to 3-4 [W2A3].>



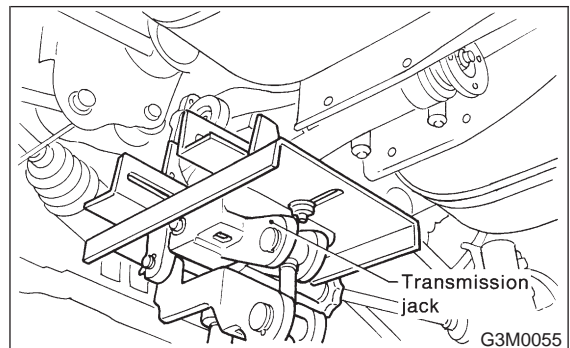
15) Secure rear drive shaft to rear crossmember using wire.



16) Remove lower differential bracket.



17) Support rear differential with transmission jack.

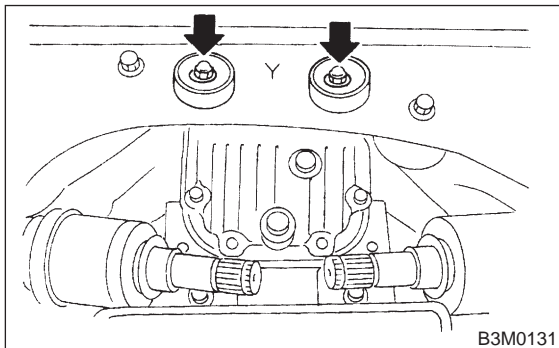


## 3-4 [W2C1]

### 2. Rear Differential

## SERVICE PROCEDURE

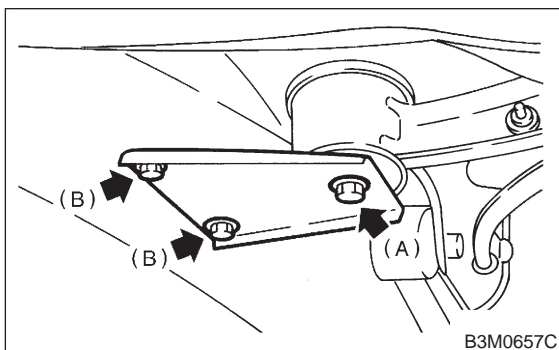
18) Remove self-locking nuts connecting rear differential to rear crossmember.



19) Remove bolts which secure rear differential front member to body. Loosen bolt A first, then removal bolts B.

#### NOTE:

Support front member with the use of a helper to prevent it from dropping.



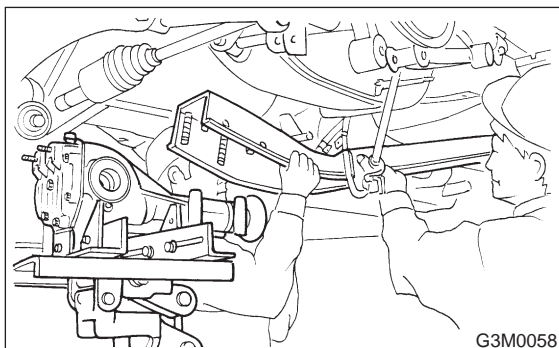
(A) Bolt A

(B) Bolt B

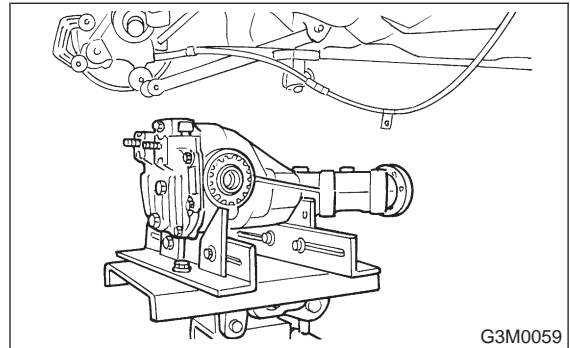
20) Remove bolt A.

21) While slowly lowering transmission jack, move rear differential forward and remove bolts from rear crossmember.

22) Remove front member from body.



23) Remove rear differential from body.



## C: DISASSEMBLY

### 1. T-TYPE

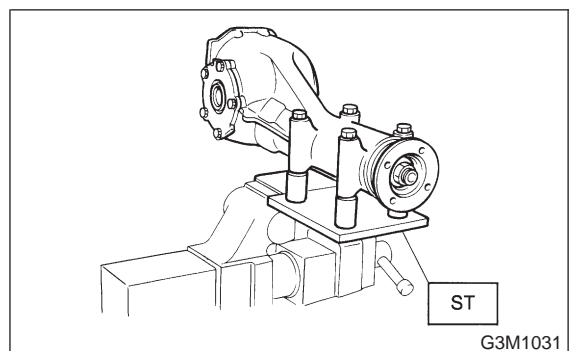
#### NOTE:

To detect real cause of trouble, inspect the following items before disassembling.

- Tooth contact of crown gear and pinion, and backlash
- Runout of crown gear at its back surface
- Turning resistance of drive pinion

1) Set ST on vise and install the differential assembly to ST.

ST 39821770 ATTACHMENT

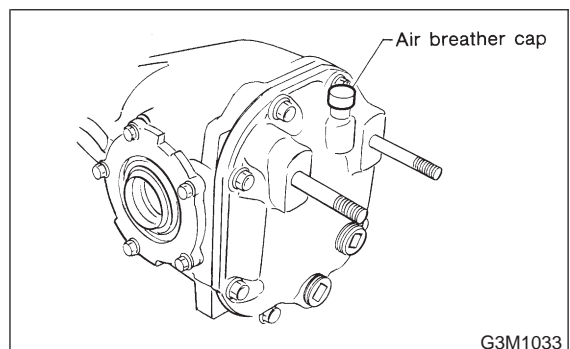


2) Drain gear oil by removing plug.

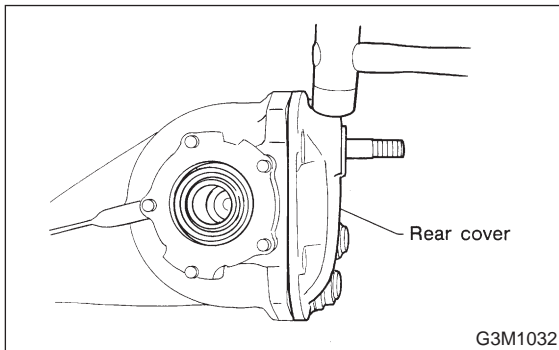
3) Remove the air breather cap.

#### NOTE:

Do not attempt to replace the air breather cap unless necessary.



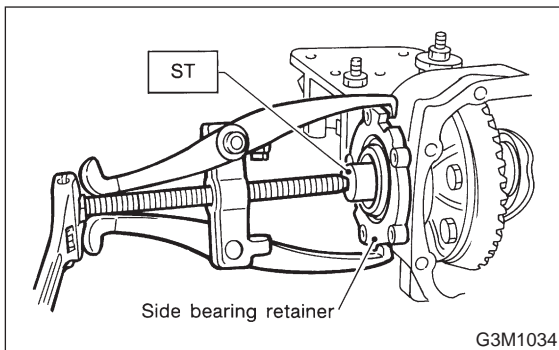
4) Remove rear cover by loosening retaining bolts.



5) Make right and left side bearing retainers in order to identify them at reassembly. Remove side bearing retainer attaching bolts, set ST to differential carrier, and extract right and left side bearing retainers with a puller.

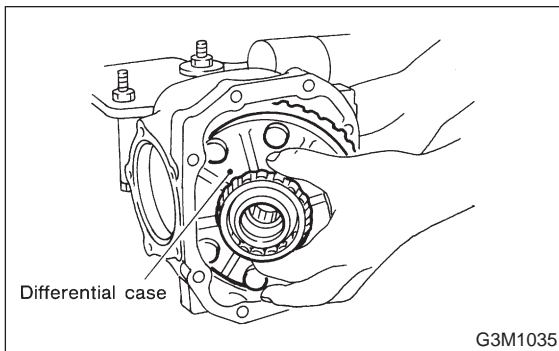
**CAUTION:**  
Each shim, which is installed to adjust the side bearing preload, should be kept together with its mating retainer.

ST 398457700 ATTACHMENT

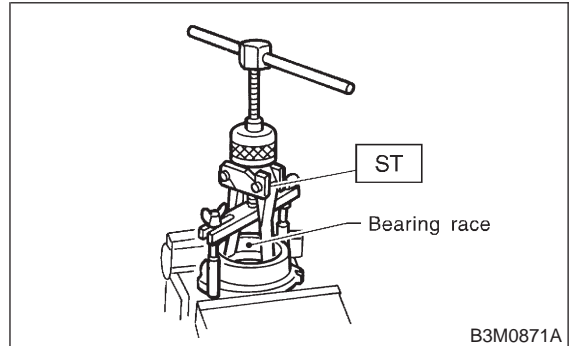


6) Pull out differential assembly from differential carrier.

**CAUTION:**  
Be careful not to hit the teeth against the case.



7) When replacing side bearing, pull bearing race from side bearing retainer using ST.  
ST 398527700 PULLER ASSY



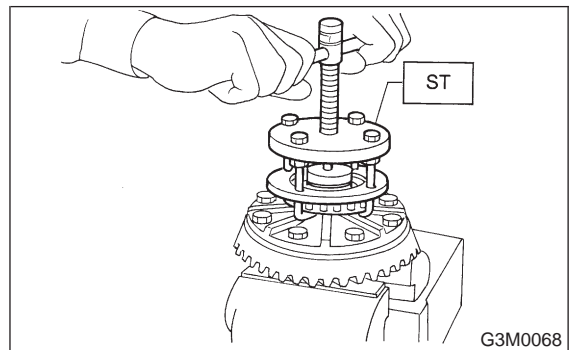
8) Extract bearing cone with ST.

**CAUTION:**  
Do not attempt to disassemble the parts unless necessary.

**NOTE:**

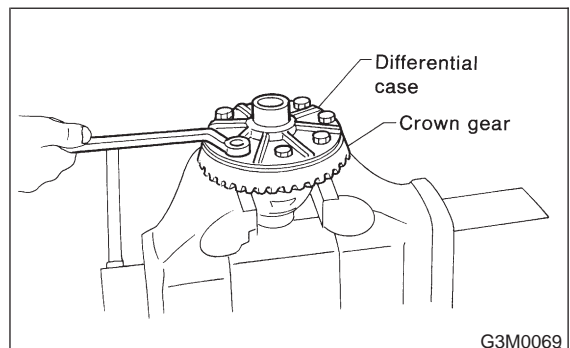
- Set puller so that its claw catch the edge of the bearing cone.
- Never mix up the right and left hand bearing races and cones.

ST 399527700 PULLER SET



9) Remove crown gear by loosening crown gear bolts.

**CAUTION:**  
Further disassembling is not allowed.



### 3-4 [W2C1]

#### 2. Rear Differential

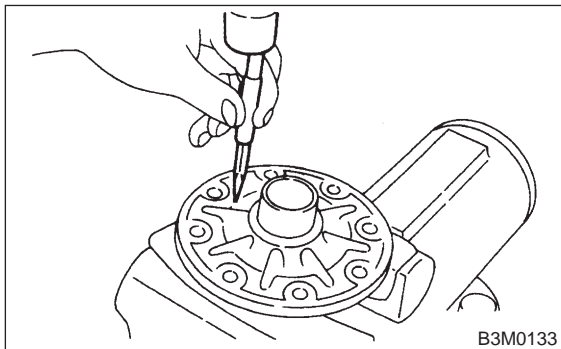
## SERVICE PROCEDURE

10) Drive out pinion shaft lock pin from crown gear side.

**NOTE:**

The lock pin is staked at the pin hole end on the differential case; do not drive it out forcibly before unstaking it.

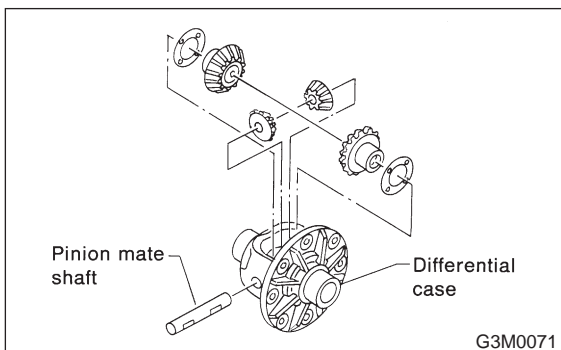
ST 899904100 STRAIGHT PIN REMOVER



11) Draw out pinion mate shaft and remove pinion mate gears, side gears and thrust washers.

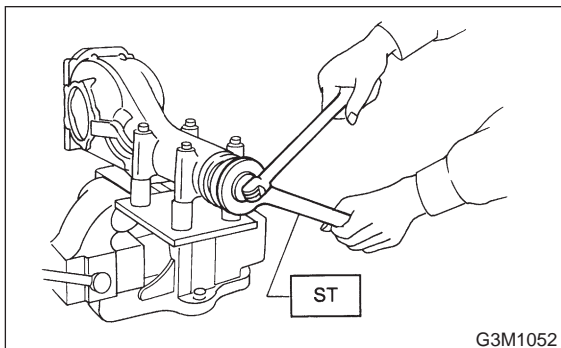
**NOTE:**

The gears as well as thrust washers should be marked or kept separated left and right, and front and rear.

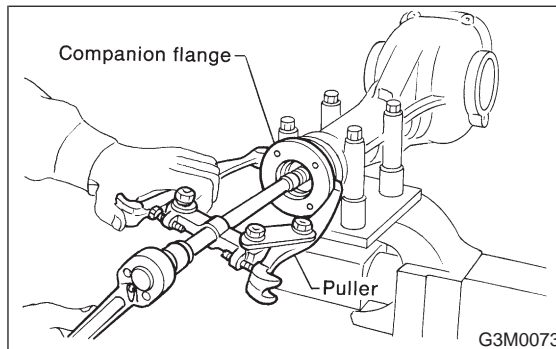


12) Hold companion flange with ST and remove drive pinion nut.

ST 498427200 FLANGE WRENCH



13) Extract the companion flange with a puller.

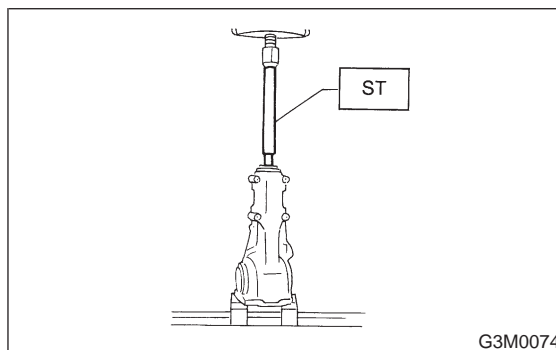


14) Press the end of drive pinion shaft and extract it together with rear bearing cone, preload adjusting spacer and washer.

**NOTE:**

Hold the drive pinion so as not to drop it.

ST 398467700 DRIFT

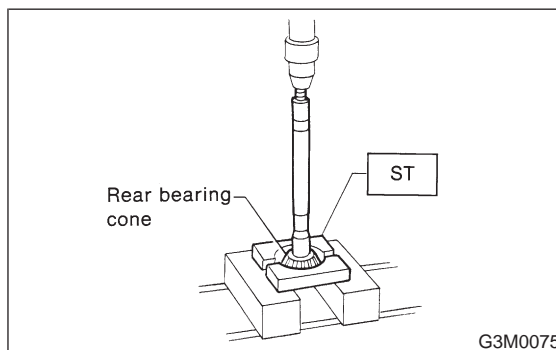


15) Remove rear bearing cone from drive pinion by supporting cone with ST.

**NOTE:**

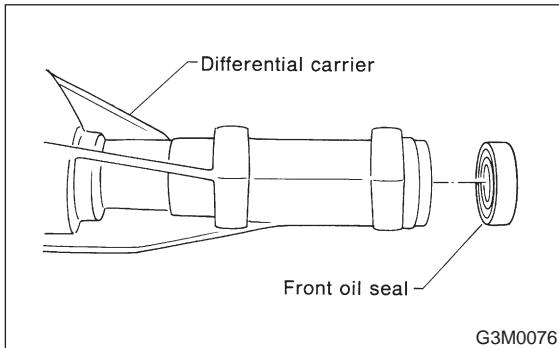
Place the replacer so that its center-recessed side faces the pinion gear.

ST 498515500 REPLACER



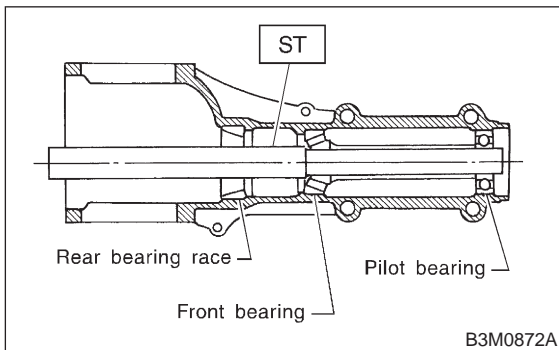
16) Remove front oil seal from differential carrier using ST.

ST 398527700 PULLER ASSY

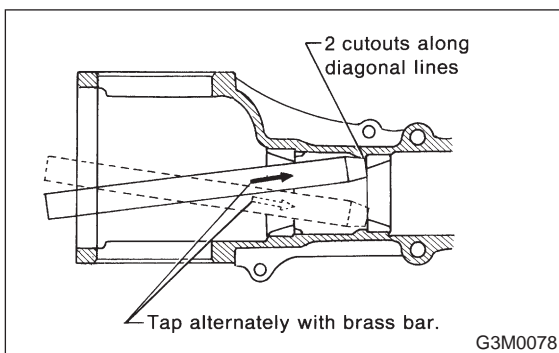


17) Remove pilot bearing together with front bearing cone using ST.

ST 398467700 DRIFT



18) When replacing bearings, tap front bearing cup and rear bearing cup in this order out of case by using a brass bar.



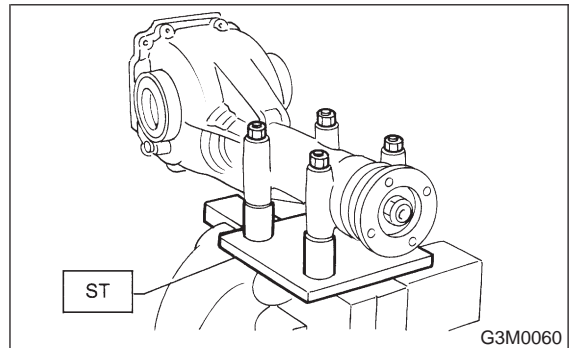
## 2. VA-TYPE

To detect real cause of trouble, inspect the following items before disassembling.

- Tooth contact of crown gear and pinion, and backlash
- Runout of crown gear at its back surface
- Turning resistance of drive pinion

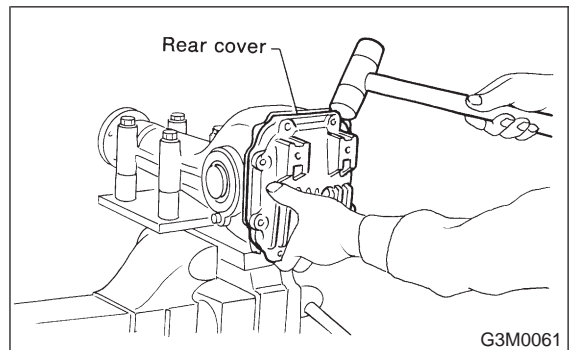
1) Set ST on vise and install the differential assembly to ST.

ST 398217700 ATTACHMENT



2) Drain gear oil by removing plug.

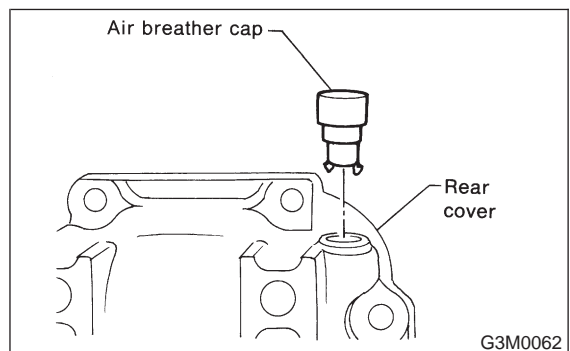
3) Remove rear cover by loosening retaining bolts.



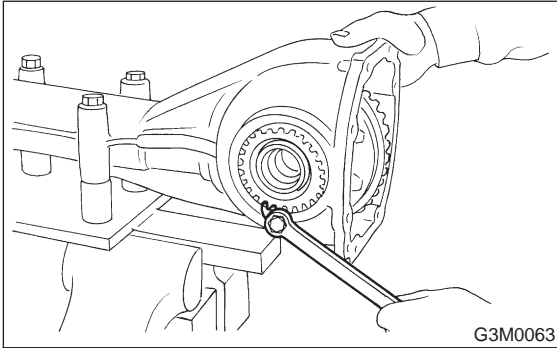
4) Replace air breather cap.

NOTE:

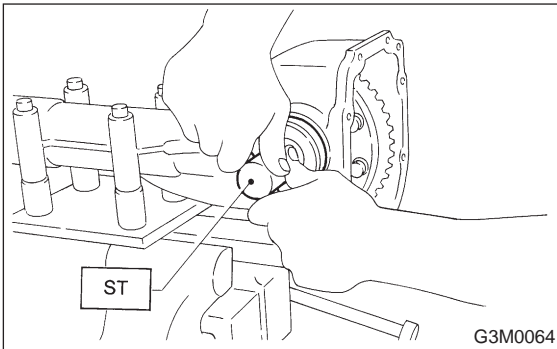
Do not attempt to replace the air breather cap unless necessary.



5) Remove right and left lock plates.

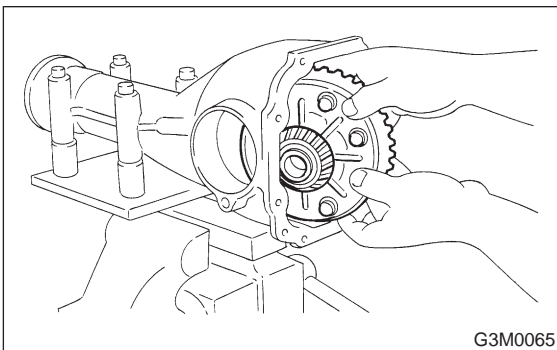


6) Remove right and left holders with ST.  
ST 399780111 WRENCH



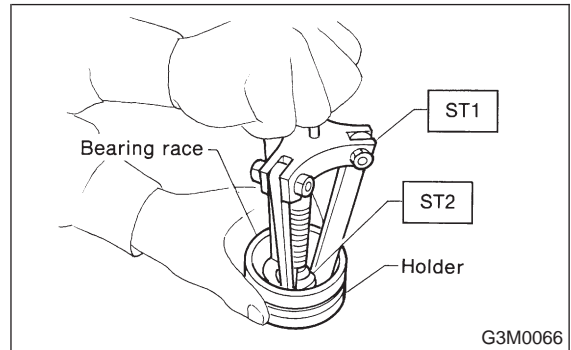
7) Pull out differential assembly from differential carrier.

**CAUTION:**  
Be careful not to hit the teeth against the case.



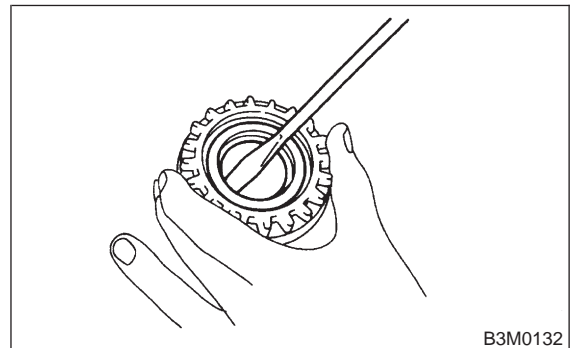
8) Remove bearing race from right and left holders with ST1 and ST2.

ST1 499705401 BEARING OUTER RACE PULLER ASSY  
ST2 499705404 OUTER RACE PULLER SEAT



9) Remove oil seal from right and left holders with screwdriver.

**CAUTION:**  
Perform this operation only when changing oil seal.



10) Extract bearing cone with ST.

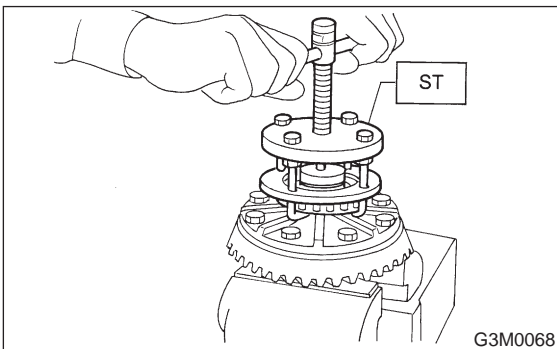
**CAUTION:**

**Do not attempt to disassemble the parts unless necessary.**

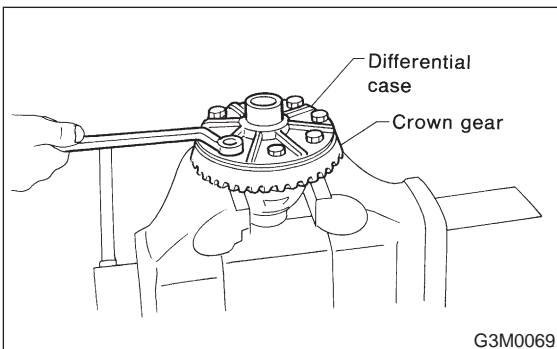
**NOTE:**

- Set Puller so that its claws catch the edge of the bearing cone.
- Never mix up the right and left hand bearing cones.

ST 899524100 PULLER SET



11) Remove crown gear by loosening crown gear bolts.

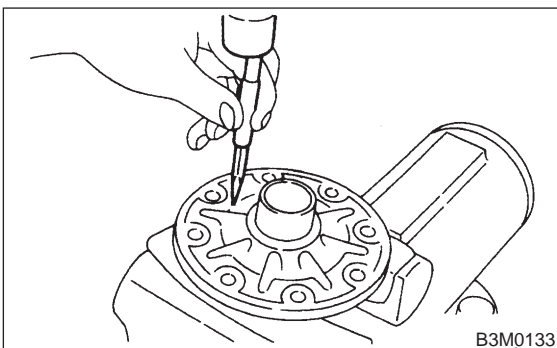


12) Drive out pinion shaft lock pin from crown gear side.

**NOTE:**

The lock pin is staked at the pin hole end on the differential case; do not drive it out forcibly before unstaking it.

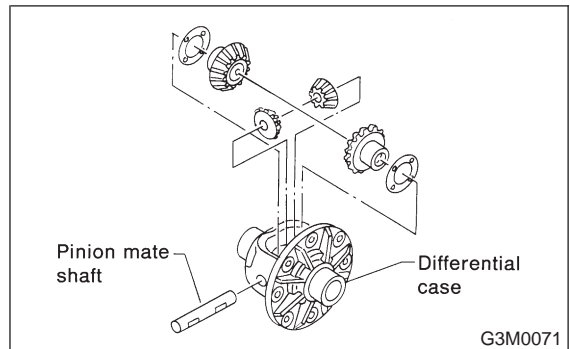
ST 899904100 STRAIGHT PIN REMOVER



13) Draw out pinion mate shaft and remove pinion mate gears, side gears and thrust washers.

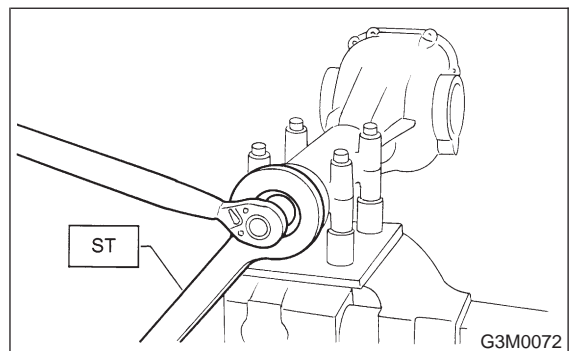
**NOTE:**

The gears as well as thrust washers should be marked or kept separated left and right, and front and rear.

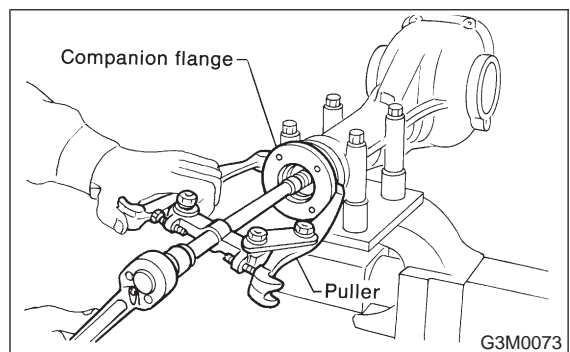


14) Hold companion flange with ST and remove drive pinion nut.

ST 498427200 FLANGE WRENCH



15) Extract the companion flange with a puller.





### 3-4 [W2D0]

#### 2. Rear Differential

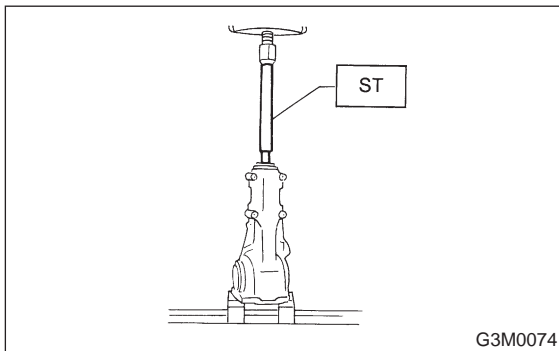
## SERVICE PROCEDURE

16) Press the end of drive pinion shaft and extract it together with rear bearing cone, preload adjusting spacer and washer.

**NOTE:**

Hold the drive pinion so as not to drop it.

ST 398467700 DRIFT

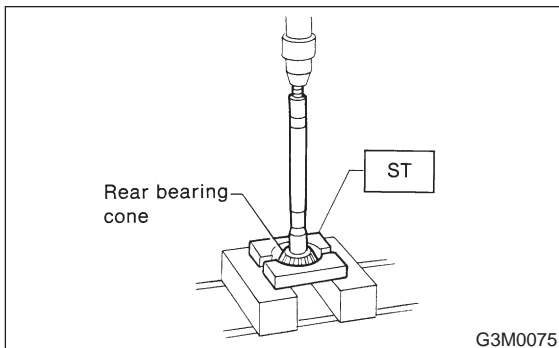


17) Remove rear bearing cone from drive pinion by supporting cone with ST.

**NOTE:**

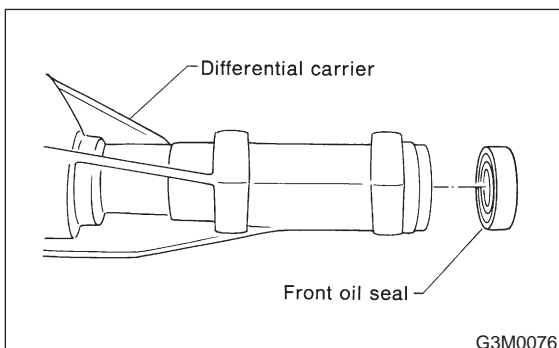
Place the replacer so that its center-recessed side faces the pinion gear.

ST 498515500 REPLACER



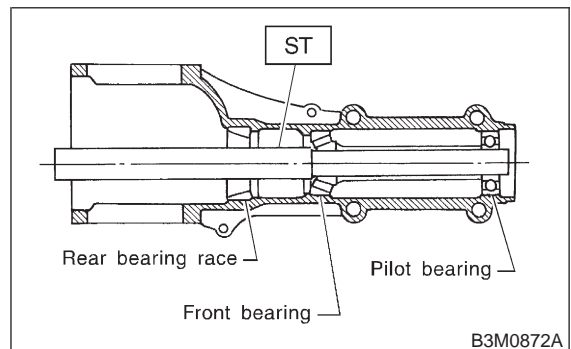
18) Remove front oil seal from differential carrier.

ST 499705401 PULLER ASSY

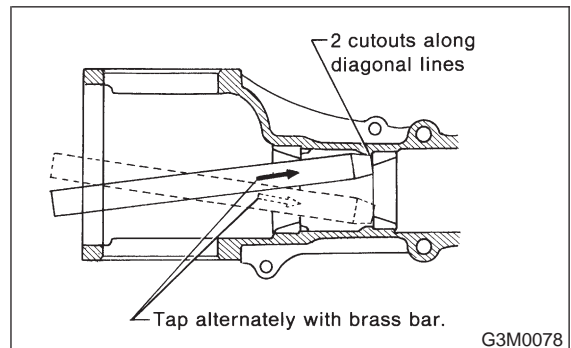


19) Remove pilot bearing together with front bearing cone using ST.

ST 398467700 DRIFT



20) When replacing bearings, tap front bearing race and rear bearing race in this order out of case by using a brass bar.



## D: INSPECTION

Wash all the disassembled parts clean, and examine them for wear, damage, or other defects. Repair or replace defective parts as necessary.

1) Crown gear and drive pinion

- If abnormal tooth contact is evident, find out the cause and adjust to give correct tooth contact at assembly. Replace the gear if excessively worn or incapable of adjustment.

- If crack, score, or seizure is evident, replace as a set. Slight damage of tooth can be corrected by oil stone or the like.

2) Side gear and pinion mate gear

- Replace if crack, score, or other defects are evident on tooth surface.

- Replace if thrust washer contacting surface is worn or seized. Slight damage of the surface can be corrected by oil stone or the like.

3) Bearing

Replace if seizure, peeling, wear, rust, dragging during rotation, abnormal noise or other defect is evident.

4) Thrust washers of side gear and pinion mate gear Replace if seizure, flaw, abnormal wear or other defect is evident.

5) Oil seal

Replace if deformed or damaged, and at every disassembling.

6) Differential carrier

Replace if the bearing bores are worn or damaged.

7) Differential case

Replace if its sliding surfaces are worn or cracked.

8) Companion flange

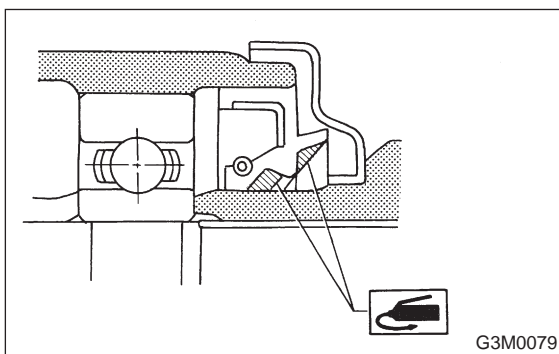
Replace if the oil seal lip contacting surfaces have flaws.

## E: ASSEMBLY

### 1. T-TYPE

1) Precautions for assembling

- Assemble in the reverse order of disassembling.
- Check and adjust each part during assembly.
- Keep the shims and washers in order, so that they are not misinstalled.
- Thoroughly clean the surfaces on which the shims, washers and bearings are to be installed.
- Apply gear oil when installing the bearings and thrust washers.
- Be careful not to mix up the right and left hand races of the bearings.
- Replace the oil seal with new one at every disassembly. Apply chassis grease between the lips when installing the oil seal.

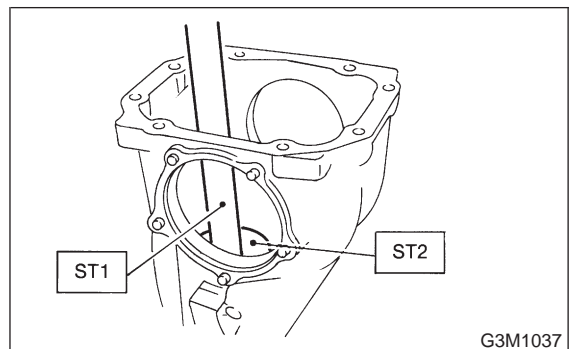


2) Adjusting preload for front and rear bearings  
Adjust the bearing preload with spacer and washer between front and rear bearings. Pinion height adjusting washers are not affected by this adjustment. The adjustment must be carried out without the oil seal inserted.

(1) Press rear bearing race into differential carrier with ST1 and ST2.

ST1 398477701 HANDLE

ST2 398427703 DRIFT 2



(2) Insert ST1 into carrier with pinion height adjusting washer and rear bearing cone fitted onto it.

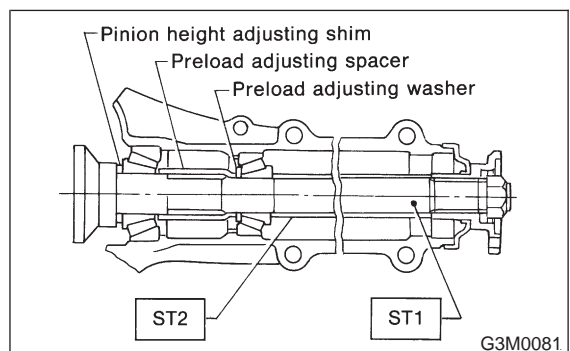
#### CAUTION:

- Re-use the used washer if not deformed.
- Use a new rear bearing cone.

(3) Then install preload adjusting spacer and washer, front bearing cone, ST2, companion flange, and washer and drive pinion nut.

ST1 398507702 DUMMY SHAFT

ST2 398507703 DUMMY COLLAR



### 3-4 [W2E1]

#### 2. Rear Differential

## SERVICE PROCEDURE

(4) Turn ST1 with hand to make it seated, and tighten drive pinion nut while measuring the preload with spring balance. Select preload adjusting washer and spacer so that the specified preload is obtained when nut is tightened to the specified torque with ST2.

ST1 398507704 BLOCK

ST2 398507702 DUMMY SHAFT

#### CAUTION:

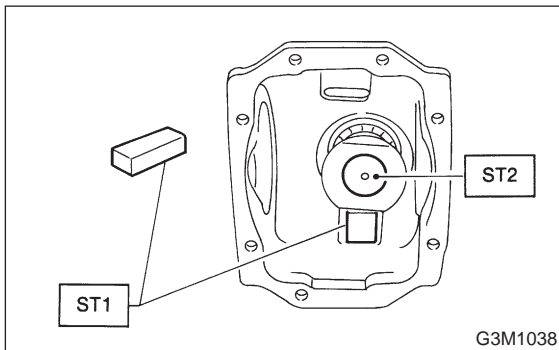
**Use a new lock nut.**

#### NOTE:

- Be careful not to give excessive preload.
- When tightening the drive pinion nut, lock ST1 with ST2 as shown in the figure.

#### Tightening torque:

**$181 \pm 15 \text{ N}\cdot\text{m}$  ( $18.5 \pm 1.5 \text{ kg}\cdot\text{m}$ ,  $134 \pm 11 \text{ ft}\cdot\text{lb}$ )**



Preload adjusting washer	Part No.	Thickness mm (in)
	383705200	2.59 (0.1020)
	383715200	2.57 (0.1012)
	383725200	2.55 (0.1004)
	383735200	2.53 (0.0996)
	383745200	2.51 (0.0988)
	383755200	2.49 (0.0980)
	383765200	2.47 (0.0972)
	383775200	2.45 (0.0965)
	383785200	2.43 (0.0957)
	383795200	2.41 (0.0949)
	383805200	2.39 (0.0941)
	383815200	2.37 (0.0933)
	383825200	2.35 (0.0925)
	383835200	2.33 (0.0917)
383845200	2.31 (0.0909)	
Preload adjusting spacer	Part No.	Length mm (in)
	383695201	56.2 (2.213)
	383695202	56.4 (2.220)
	383695203	56.6 (2.228)
	383695204	56.8 (2.236)
	383695205	57.0 (2.244)
	383695206	57.2 (2.252)

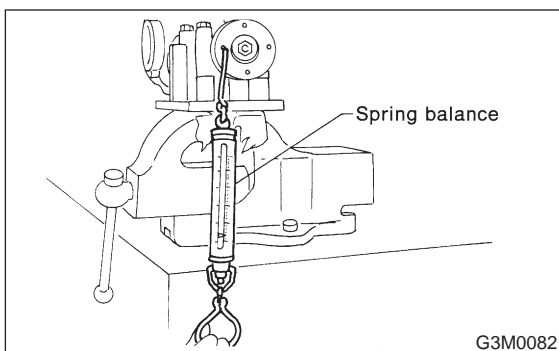
#### 3) Adjusting drive pinion height

Adjust drive pinion height with shim installed between rear bearing cone and the back of pinion gear.

#### Front and rear bearing preload

For new bearing:

$17.7 - 25.5 \text{ N}$  ( $1.8 - 2.6 \text{ kg}$ ,  $4.0 - 5.7 \text{ lb}$ )  
at companion flange bolt hole



(1) Install ST1, ST2 and ST3, as shown in the figure, and apply the specified preload on the bearings.

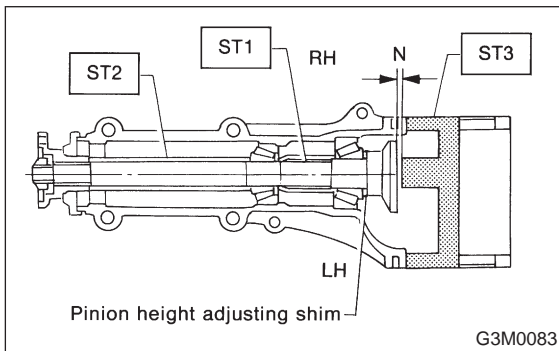
Front and rear bearing preload
For new bearing: 17.7 — 25.5 N (1.8 — 2.6 kg, 4.0 — 5.7 lb) at companion flange bolt hole

Adjust preload for front and rear bearings.

**NOTE:**

At this time, install a pinion height adjusting shim which is temporarily selected or the same as that used before.

- ST1 398507702 DUMMY SHAFT
- ST2 398507703 DUMMY COLLAR
- ST3 398507701 DIFFERENTIAL CARRIER GAUGE

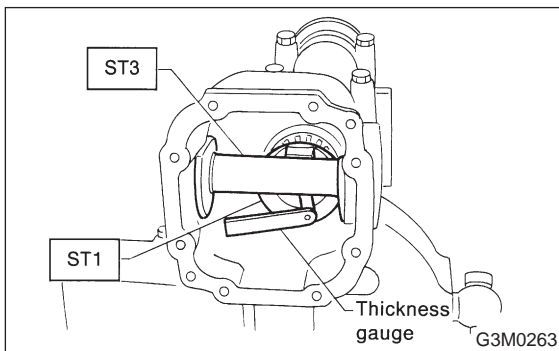


(2) Measure the clearance “N” between the end of ST3 and the end surface of ST1 by using a thickness gauge.

**NOTE:**

Make sure there is no clearance between the carrier and ST3.

- ST1 398507702 DUMMY SHAFT
- ST2 398507703 DUMMY COLLAR
- ST3 398507701 DIFFERENTIAL CARRIER GAUGE



(3) Obtain the thickness of pinion height adjusting shim to be inserted from the following formula, and replace the temporarily installed shim with this one.

$$T = T_o + N - (H \times 0.01) - 0.20 \text{ (mm)}$$

Where:

T = Thickness of pinion height adjusting shim (mm)

T<sub>o</sub> = Thickness of shim temporarily inserted (mm)

N = Reading of thickness gauge (mm)

H = Figure marked on drive pinion head

(Example of calculation)

$$T_o = 2.20 + 1.20 = 3.40 \text{ mm}$$

$$N = 0.23 \text{ mm } H = + 1,$$

$$T = 3.40 + 0.23 - 0.01 - 0.20 = 3.42$$

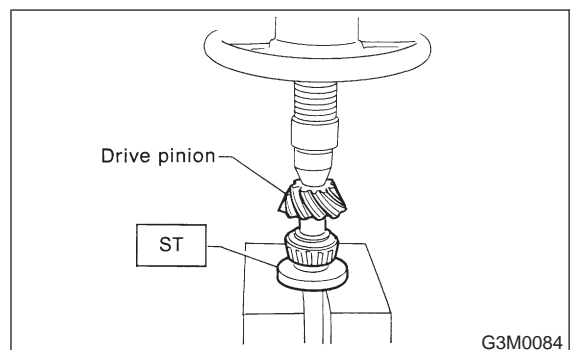
Result: Thickness = 3.42 mm

Therefore use the shim 383605200.

Pinion height adjusting shim	
Part No.	Thickness mm (in)
383495200	3.09 (0.1217)
383505200	3.12 (0.1228)
383515200	3.15 (0.1240)
383525200	3.18 (0.1252)
383535200	3.21 (0.1264)
383545200	3.24 (0.1276)
383555200	3.27 (0.1287)
383565200	3.30 (0.1299)
383575200	3.33 (0.1311)
383585200	3.36 (0.1323)
383595200	3.39 (0.1335)
383605200	3.42 (0.1346)
383615200	3.45 (0.1358)
383625200	3.48 (0.1370)
383635200	3.51 (0.1382)
383645200	3.54 (0.1394)
383655200	3.57 (0.1406)
383665200	3.60 (0.1417)
383675200	3.63 (0.1429)
383685200	3.66 (0.1441)

4) Install the selected pinion height adjusting shim on drive pinion, and press the rear bearing cone into position with ST.

ST 398177700 INSTALLER

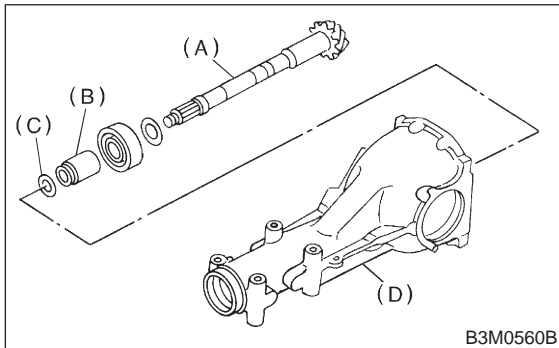


### 3-4 [W2E1]

#### 2. Rear Differential

## SERVICE PROCEDURE

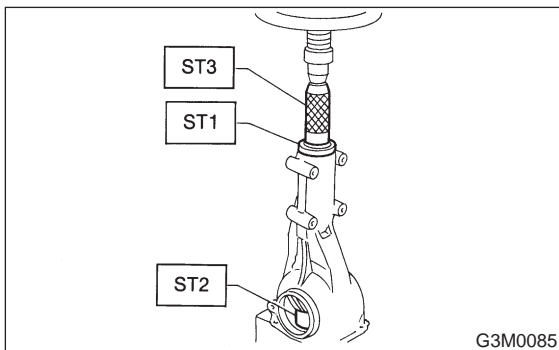
5) Insert drive pinion into differential carrier, install the previously selected bearing preload adjusting spacer and washer.



- (A) Drive pinion
- (B) Bearing preload adjusting spacer
- (C) Washer
- (D) Differential carrier

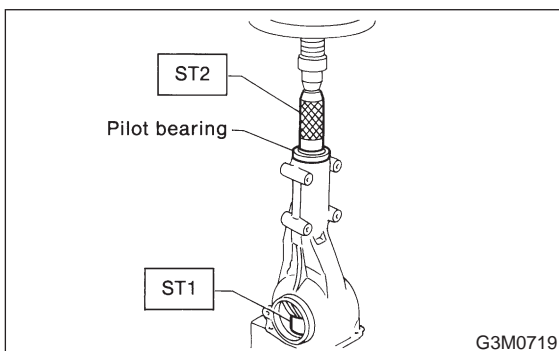
6) Press-fit front bearing cone into case with ST1, ST2 and ST3.

ST1 398507703 DUMMY COLLAR  
ST2 399780104 WEIGHT  
ST3 899580100 INSTALLER



7) Insert spacer, then press-fit pilot bearing with ST1 and ST2.

ST1 399780104 WEIGHT  
ST2 899580100 INSTALLER



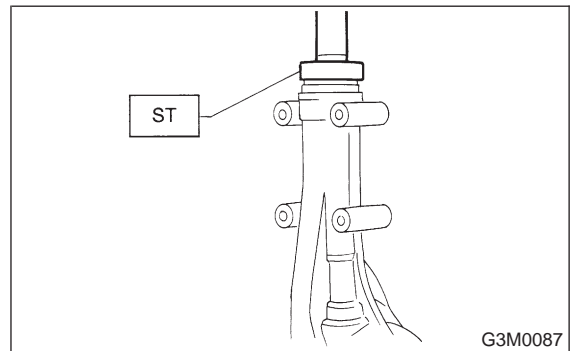
8) Fit a new oil seal with ST.

NOTE:

- Press-fit until end of oil seal is 1 mm (0.04 in) inward from end of carrier.

- Apply grease between the oil seal lips.

ST 498447120 OIL SEAL INSTALLER

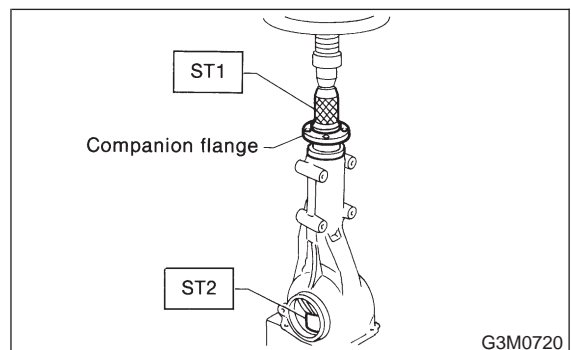


9) Press-fit companion flange with ST1 and ST2.

**CAUTION:**

**Be careful not to damage bearing.**

ST1 899874100 INSTALLER  
ST2 399780104 WEIGHT

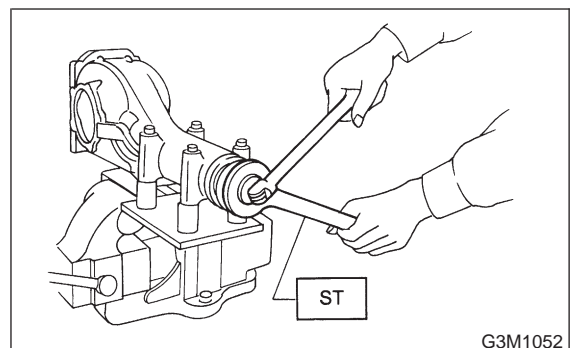


10) Install self-locking nut. Then tighten it with ST.

ST 498427200 FLANGE WRENCH

**Tightening torque:**

**181±15 N·m (18.5±1.5 kg·m, 134±11 ft·lb)**



11) Assembly of differential case

12) Install side gears and pinion mate gears, with their thrust washers and pinion mate shaft, into differential case.

**CAUTION:**

- Apply gear oil on both sides of the washer and on the side gear shaft before installing.
- Insert the pinion mate shaft into the differential case by aligning the lock pin holes.

- (1) Measure the clearance between differential case and the back of side gear.
- (2) Adjust the clearance as specified by selecting side gear thrust washer.

**Side gear backlash:**

**0.1 — 0.2 mm (0.004 — 0.008 in)**

Part No.	Thickness mm (in)
383445201	0.75 — 0.80 (0.0295 — 0.0315)
383445202	0.80 — 0.85 (0.0315 — 0.0335)
383445203	0.85 — 0.90 (0.0335 — 0.0354)

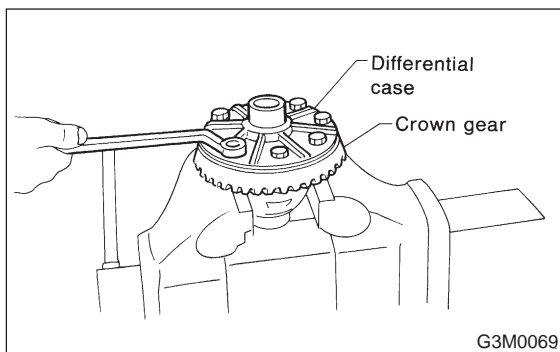
- (3) Check the condition of rotation after applying oil to the gear tooth surfaces and thrust surfaces.
- (4) After driving in pinion shaft lock pin, stake the both sides of the hole to prevent pin from falling off.
- (5) Install crown gear on differential case.

**NOTE:**

Tighten diagonally while tapping the bolt heads.

**Tightening torque:**

**103±10 N·m (10.5±1.0 kg·m, 76±7 ft·lb)**



- 13) Before installing side bearing, measure the bearing width by using a dial gauge, ST1 and ST2.

**NOTE:**

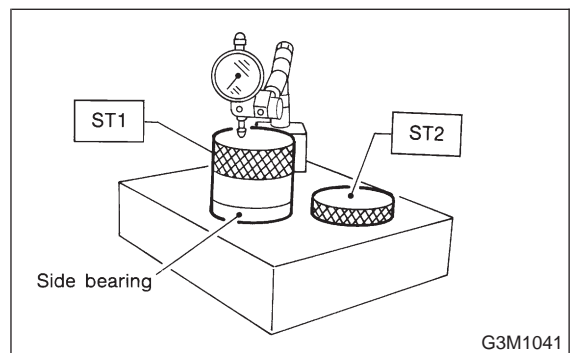
Set the dial gauge needle to zero, using a standard bearing or block of specified height in advance.

ST1 398227700 WEIGHT

ST2 398237700 GAUGE

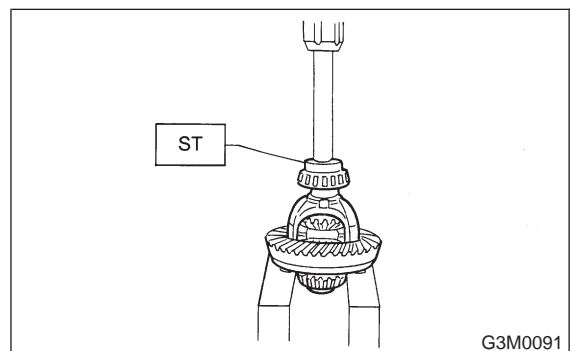
**Standard bearing width:**

**20.00 mm (0.7874 in)**



- 14) Press side bearing cone onto differential case with ST1.

ST1 398487700 DRIFT



- 15) Adjusting side bearing retainer shims

(1) The drive gear backlash and side bearing preload can be determined by the side bearing retainer shim thickness.

(2) When replacing differential case, differential carrier, side bearing and side bearing retainer, obtain the right and left retainer shim thickness from the following formulas.

When replacing differential case, differential carrier, side bearing and side bearing retainer, obtain the right and left retainer shim thickness from the following formulas.

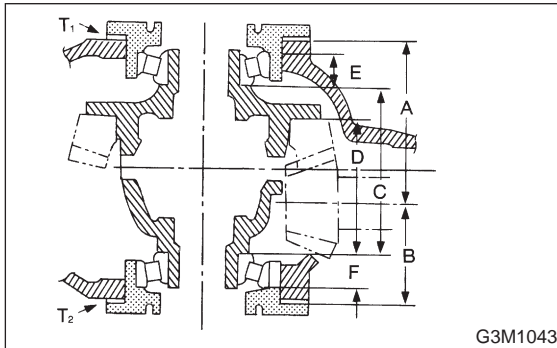
$$T_1 \text{ (Left)} = (A + C + G_1 - D) \times 0.01 + 0.76 - E \text{ (mm)}$$

$$T_2 \text{ (Right)} = (B + D + G_2) \times 0.01 + 0.76 - F \text{ (mm)}$$

### 3-4 [W2E1]

#### 2. Rear Differential

## SERVICE PROCEDURE



$T_1$  &  $T_2$ : Thickness of left and right side bearing retainer shim (mm)

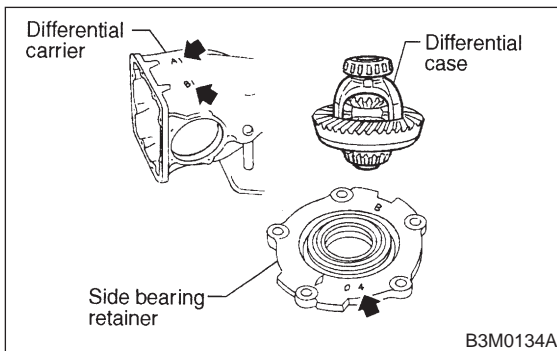
A & B: Number marked on differential carrier

C & D: Number marked on differential case

E & F: Difference of width of left and right side bearing from standard width 20.0 mm, expressed in a unit of 0.01 mm. For example, if the bearing measured width is 19.89 mm, value of E or F is as follows.  $20.00 - 19.89 = 0.11$  (E or F)

$G_1$  &  $G_2$ : Number marked on side bearing retainer

If a number is not marked, regard it as zero.



#### NOTE:

Use several shims to obtain the calculated thickness.

Side bearing retainer shim	
Part No.	Thickness mm (in)
383475201	0.20 (0.0079)
383475202	0.25 (0.0098)
383475203	0.30 (0.0118)
383475204	0.40 (0.0157)
383475205	0.50 (0.0197)

#### Example of calculation

##### Ex. 1

$A = 5, B = 5, C = 3, D = 3, G_1 = 4, G_2 = 1, E = 0.10$  mm,  $F = 0.15$  mm

##### Left side

$$\begin{aligned} T_1 &= (A + C + G_1 - D) \times 0.01 + 0.76 - E \\ &= (5 + 3 + 4 - 3) \times 0.01 + 0.76 - 0.10 \\ &= 0.09 + 0.76 - 0.10 = 0.75 \text{ mm} \end{aligned}$$

The correct shims are as follows:

Thickness Q'ty

$$0.25 \times 1 = 0.25$$

$$0.50 \times 1 = 0.50$$

$$\text{Total shim thickness} = 0.75 \text{ mm}$$

##### Right side

$$\begin{aligned} T_2 &= (B + D + G_2) \times 0.01 + 0.76 - F \\ &= (5 + 3 + 1) \times 0.01 + 0.76 - 0.15 \\ &= 0.09 + 0.76 - 0.15 \\ &= 0.70 \text{ mm} \end{aligned}$$

The correct shims are as follows:

Thickness Q'ty

$$0.20 \times 1 = 0.20$$

$$0.50 \times 1 = 0.50$$

$$\text{Total shim thickness} = 0.70 \text{ mm}$$

##### Ex. 2

$A = 2, B = 3, C = 0, D = 3, G_1 = 2, G_2 = 3, E = 0.22$  mm,  $F = 0.10$  mm

##### Left side

$$\begin{aligned} T_1 &= (A + C + G_1 - D) \times 0.01 + 0.76 - E \\ &= (2 + 0 + 2 - 3) \times 0.01 + 0.76 - 0.22 \\ &= 0.01 + 0.76 - 0.22 \\ &= 0.55 \text{ mm} \end{aligned}$$

The correct shims are as follows:

Thickness Q'ty

$$0.25 \times 1 = 0.25$$

$$0.30 \times 1 = 0.30$$

$$\text{Total shim thickness} = 0.55 \text{ mm}$$

##### Right side

$$\begin{aligned} T_2 &= (B + D + G_2) \times 0.01 + 0.76 - F \\ &= (3 + 3 + 3) \times 0.01 + 0.76 - 0.10 \\ &= 0.09 + 0.76 - 0.10 \\ &= 0.75 \text{ mm} \end{aligned}$$

The correct shims are as follows:

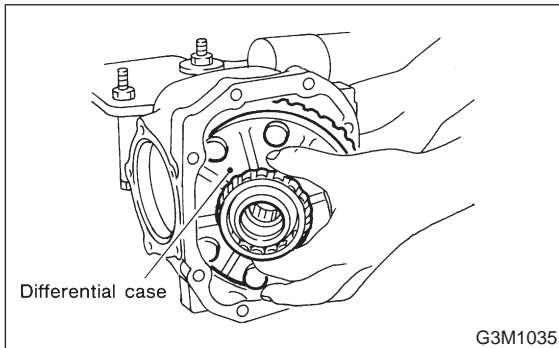
Thickness Q'ty

$$0.25 \times 1 = 0.25$$

$$0.50 \times 1 = 0.50$$

$$\text{Total shim thickness} = 0.75 \text{ mm}$$

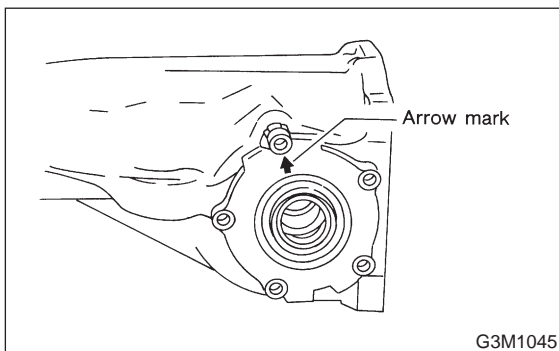
(3) Install the differential case assembly into differential carrier in the reverse order of disassembly.



(4) Fit the selected shims and O-ring on side bearing retainer and install them on differential carrier with the arrow mark on the retainer directed as shown in figure.

**CAUTION:**

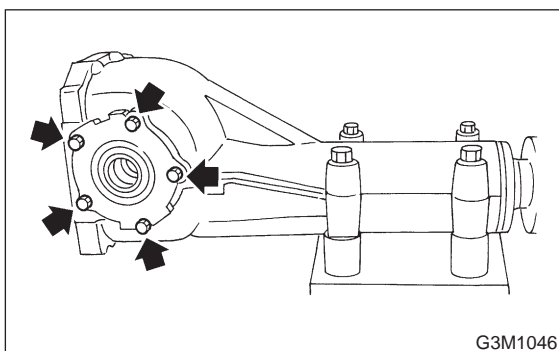
Be careful that side bearing cup is not damaged by bearing roller.



(5) Tighten side bearing retainer bolts.

**Tightening torque:**

**$10.3 \pm 1.5 \text{ N}\cdot\text{m}$  ( $1.05 \pm 0.15 \text{ kg}\cdot\text{m}$ ,  $7.6 \pm 1.1 \text{ ft}\cdot\text{lb}$ )**

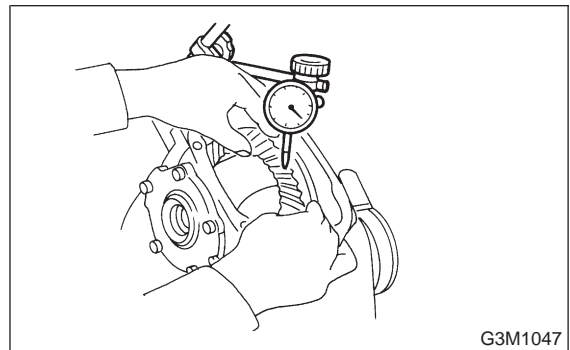


(6) Measure the crown gear-to-drive pinion backlash.

Set magnet base on differential carrier. Align contact point of dial gauge with tooth face of crown gear, and move crown gear while holding drive pinion still. Read value indicated on dial gauge.

**Backlash:**

**$0.10 - 0.20 \text{ mm}$  ( $0.0039 - 0.0079 \text{ in}$ )**



(7) At the same time, measure the turning resistance of drive pinion. Compared with the resistance when differential case is not installed, if the increase of the resistance is not within the specified range, readjust side bearing retainer shims.

**NOTE:**

If measured backlash is not within specified range, repeat procedure for adjustment of side bearing retainer shims.

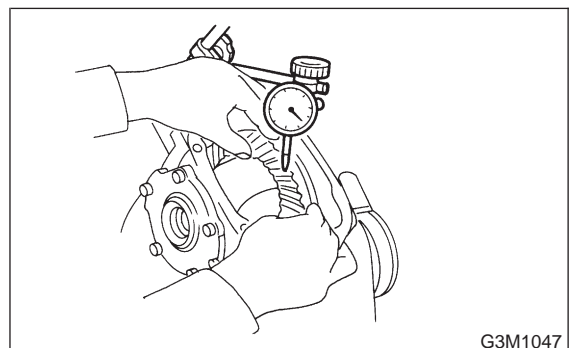
**Turning resistance increase:**

**$0.1 - 0.6 \text{ N}\cdot\text{m}$  ( $1 - 6 \text{ kg}\cdot\text{cm}$ ,  $0.9 - 5.2 \text{ in}\cdot\text{lb}$ )**

16) Re-check crown gear-to-pinion backlash.

**Backlash:**

**$0.10 - 0.20 \text{ mm}$  ( $0.0039 - 0.0079 \text{ in}$ )**





### 3-4 [W2E1]

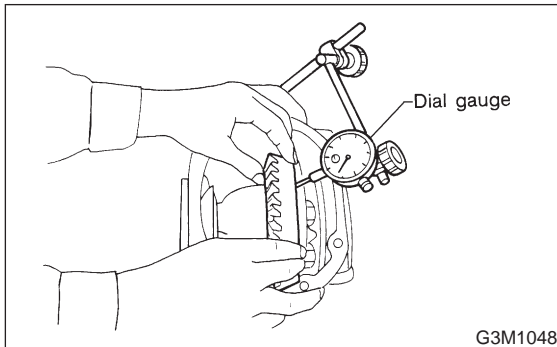
#### 2. Rear Differential

## SERVICE PROCEDURE

17) Check the crown gear runout on its back surface, and make sure pinion and crown gear rotate smoothly.

**Limit of runout:**

**0.05 mm (0.0020 in)**



18) Checking and adjusting tooth contact of crown gear

(1) Apply an even coat of red lead on both sides of three or four teeth on the crown gear. Check the contact pattern after rotating crown gear several revolutions back and forth until a definite contact pattern appears on the crown gear.

(2) When the contact pattern is incorrect, readjust according to the instructions given in "TOOTH CONTACT PATTERN".

**NOTE:**

Be sure to wipe off red lead completely after adjustment is completed.

19) If proper tooth contact is not obtained, once again adjust the drive pinion height, changing RH and LH side bearing retainer shims and the hypoid gear backlash.

(1) Drive pinion height

ST1 398507702 DUMMY SHAFT

ST2 398507701 DIFFERENTIAL CARRIER GAUGE

$$T = To + N - (H \times 0.01) - 0.20 \text{ (mm)}$$

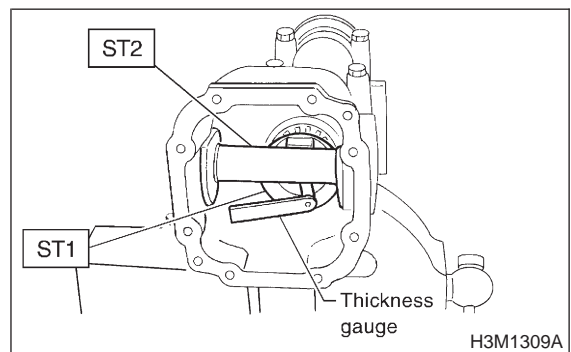
Where:

T = Thickness of pinion height adjusting shim (mm)

To = Thickness of shim temporarily inserted (mm)

N = Reading of thickness gauge (mm)

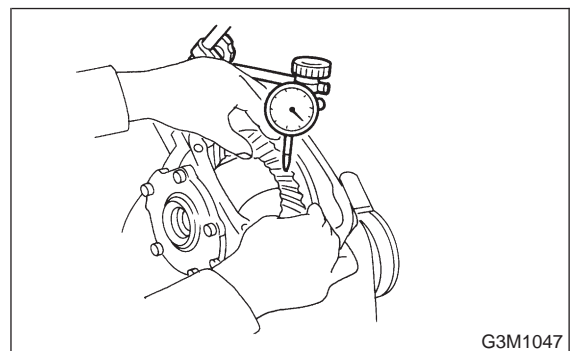
H = Figure marked on drive pinion head



(2) Hypoid gear backlash

**Backlash:**

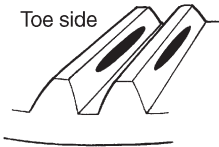
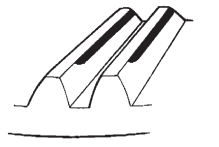
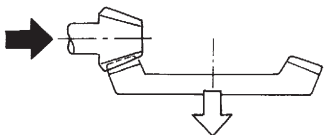

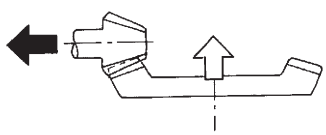
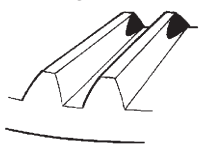
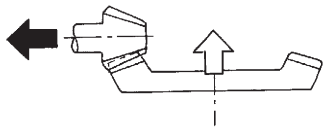

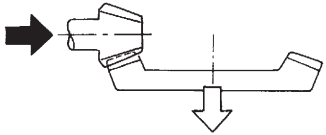
**0.10 — 0.20 mm (0.0039 — 0.0079 in)**



# SERVICE PROCEDURE

[W2E1] 3-4  
2. Rear Differential

- ➡ : Adjusting direction of drive pinion
- ⇨ : Adjusting direction of crown gear

TOOTH CONTACT PATTERN		
Condition	Contact pattern	Adjustment
<p>Correct tooth contact Tooth contact pattern slightly shifted towards toe under no load rotation. (When loaded, contact pattern moves toward heel.)</p>	<p>Toe side</p>  <p>Heel side</p> <p>B3M0317A</p>	<p>—</p>
<p>Face contact Backlash is too large.</p>	<p>This may cause noise and chipping at tooth ends.</p>  <p>B3M0319</p>	<p>Increase thickness of drive pinion height adjusting shim in order to bring drive pinion closer to crown gear center.</p>  <p>B3M0323</p>
<p>Flank contact Backlash is too small.</p>	<p>This may cause noise and stepped wear on surfaces.</p>  <p>B3M0320</p>	<p>Reduce thickness of drive pinion height adjusting shim in order to move drive pinion away from crown gear.</p>  <p>B3M0324</p>
<p>Toe contact Contact area is small.</p>	<p>This may cause chipping at toe ends.</p>  <p>B3M0321</p>	<p>Adjust as for flank contact.</p>  <p>B3M0324</p>
<p>Heel contact Contact area is small.</p>	<p>This may cause chipping at heel ends.</p>  <p>B3M0322</p>	<p>Adjust as for face contact.</p>  <p>B3M0323</p>

## 3-4 [W2E2]

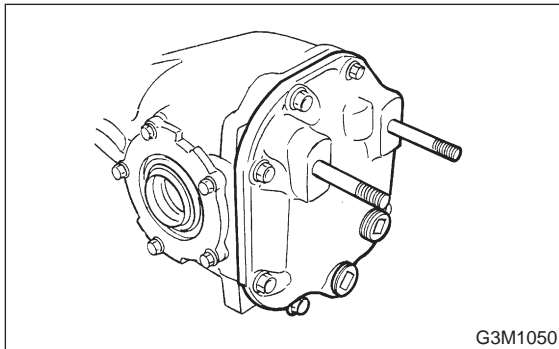
### 2. Rear Differential

## SERVICE PROCEDURE

20) Install rear cover and tighten bolts to specified torque.

#### Tightening torque:

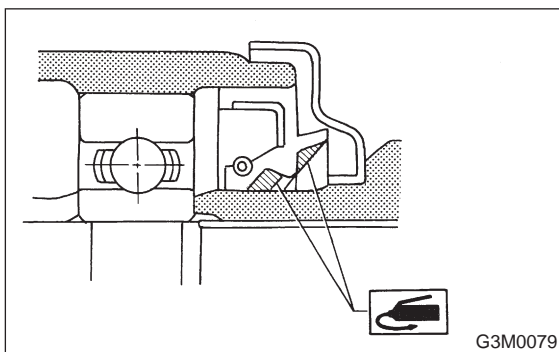
**$29 \pm 5 \text{ N}\cdot\text{m}$  ( $3.0 \pm 0.5 \text{ kg}\cdot\text{m}$ ,  $21.7 \pm 3.6 \text{ ft}\cdot\text{lb}$ )**



## 2. VA-TYPE

1) Precautions for assembling

- Assemble in the reverse order of disassembling.
- Check and adjust each part during assembly.
- Keep the shims and washers in order, so that they are not misinstalled.
- Thoroughly clean the surfaces on which the shims, washers and bearings are to be installed.
- Apply gear oil when installing the bearings and thrust washers.
- Be careful not to mix up the right and left hand races of the bearings.
- Replace the oil seal with new one at every disassembly. Apply chassis grease between the lips when installing the oil seal.



2) Adjust preload for front and rear bearings. Adjust the bearing preload with spacer and washer between front and rear bearings. Pinion height adjusting washer are not affected by this adjustment. The adjustment must be carried out without oil seal inserted.

(1) Press rear bearing race into differential carrier with ST1 and ST2.

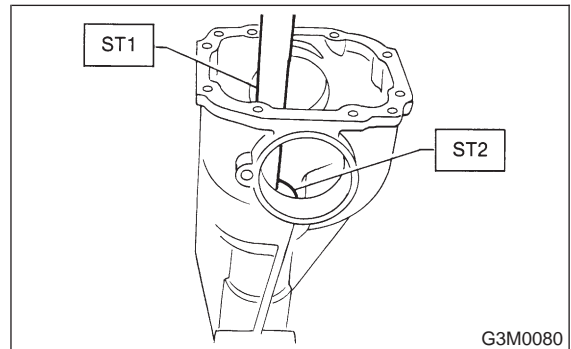
ST1 398477701 HANDLE

ST2 398477702 DRIFT

(2) Press front bearing race into differential carrier with ST1 and ST2.

ST1 398477701 HANDLE

ST2 498447110 BEARING OUTER RACE DRIFT



(3) Insert front bearing cone.

#### CAUTION:

**Use a new front bearing cone.**

(4) Insert ST into carrier with pinion height adjusting shim and rear bearing cone fitted onto it.

#### CAUTION:

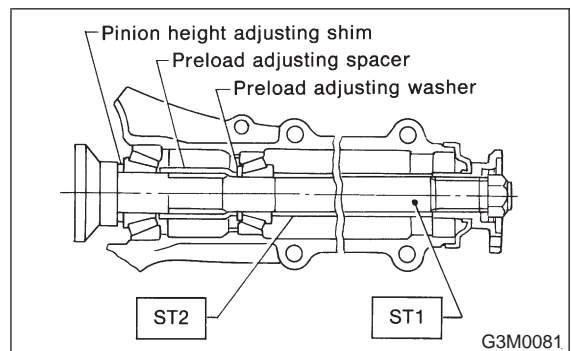
- Re-use the used washer if not deformed.
- Use a new rear bearing cone.

ST 498447150 DUMMY SHAFT

(5) Then install preload adjusting spacer and washer, front bearing cone, ST2, companion flange, and washer and drive pinion nut.

ST1 498447150 DUMMY SHAFT

ST2 32285AA000 DUMMY COLLAR



(6) Turn ST1 with hand to make it seated, and tighten drive pinion nut while measuring the preload with spring balance. Select preload adjusting washer and spacer so that the specified preload is obtained when nut is tightened to the specified torque with ST2.

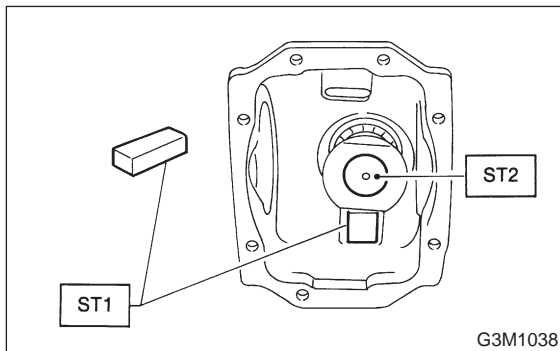
**CAUTION:**  
Use a new lock nut.

NOTE:

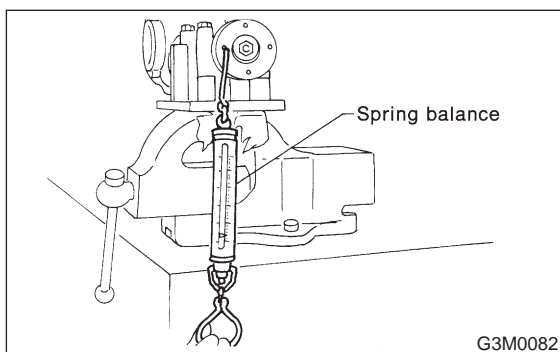
- Be careful not to give excessive preload.
- When tightening the drive pinion nut, lock ST1 with ST2.

ST1 398507704 BLOCK  
ST2 498447150 DUMMY SHAFT

**Tightening torque:**  
**188±26 N-m (19.2±2.7 kg-m, 139±20 ft-lb)**



Front and rear bearing preload
For new bearing: 12.7 — 32.4 N (1.3 — 3.3 kg, 2.9 — 7.3 lb) at companion flange bolt hole



	Part No.	Thickness mm (in)
	Preload adjusting washer	38336AA000
38336AA120		1.513 (0.0596)
38336AA010		1.525 (0.0600)
38336AA130		1.538 (0.0606)
38336AA020		1.550 (0.0610)
38336AA140		1.563 (0.0615)
38336AA030		1.575 (0.0620)
38336AA150		1.588 (0.0625)
38336AA040		1.600 (0.0630)
38336AA160		1.613 (0.0635)
38336AA050		1.625 (0.0640)
38336AA170		1.638 (0.0645)
38336AA060		1.650 (0.0650)
38336AA180		1.663 (0.0655)
38336AA070		1.675 (0.0659)
38336AA190		1.688 (0.0665)
38336AA080		1.700 (0.0669)
38336AA200		1.713 (0.0674)
38336AA090		1.725 (0.0679)
38336AA210	1.738 (0.0684)	
38336AA100	1.750 (0.0689)	
38336AA220	1.763 (0.0694)	
38336AA110	1.775 (0.0699)	
	Part No.	Length mm (in)
	Preload adjusting spacer	32288AA040
32288AA050		52.5 (2.067)
31454AA100		52.6 (2.071)
32288AA060		52.7 (2.075)
31454AA110		52.8 (2.079)
32288AA070		52.9 (2.083)
31454AA120		53.0 (2.087)
32288AA080		53.1 (2.091)
32288AA090		53.3 (2.098)

3) Adjusting drive pinion height Adjust drive pinion height with shim installed between rear bearing cone and the back of pinion gear.

(1) Install ST1, ST2 and ST3, as shown in the figure, and apply the specified preload on the bearings.

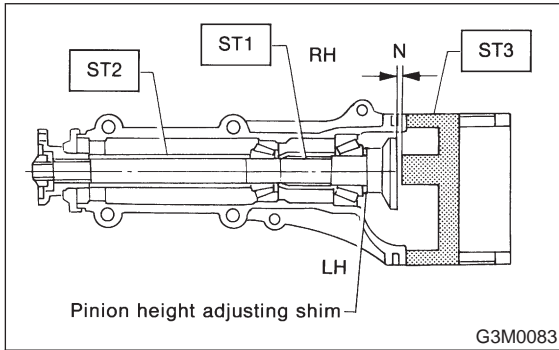
Front and rear bearing preload
For new bearing: 12.7 — 32.4 N (1.3 — 3.3 kg, 2.9 — 7.3 lb) at companion flange bolt hole

Adjust preload for front and rear bearings.

**NOTE:**

At this time, install an original pinion height adjusting shim.

- ST1 498447150 DUMMY SHAFT
- ST2 32285AA000 DUMMY COLLAR
- ST3 498505501 DIFFERENTIAL CARRIER GAUGE

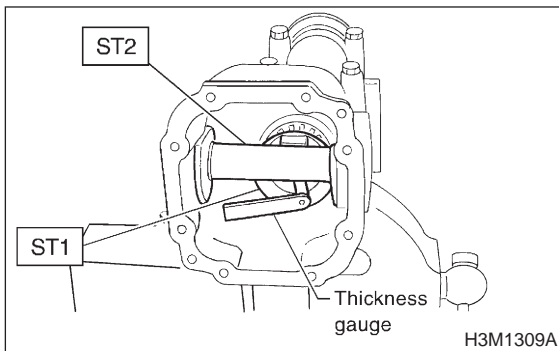


(2) Measure the clearance “N” between the end of ST2 and the end surface of ST1 by using a thickness gauge.

**NOTE:**

Make sure there is no clearance between ST2 and ST1.

- ST1 498447150 DUMMY SHAFT
- ST2 498505501 DIFFERENTIAL CARRIER GAUGE



(3) Obtain the thickness of pinion height adjusting washer to be inserted from the following formula, and replace the temporarily installed shim with this one.

**NOTE:**

Use 1 to 3 shims as required for adjustment.

$$T = T_o + N - 0.05 \text{ (mm)}$$

where

T = Thickness of pinion height adjusting shim (mm)

T<sub>o</sub> = Thickness of shim originally installed (mm)

N = Reading of thickness gauge (mm)

(Example of calculation)

$$T_o = 0.15 \text{ mm}$$

$$N = 0.1 \text{ mm}$$

$$T = 0.15 + 0.1 - 0.05 = 0.2 \text{ mm}$$

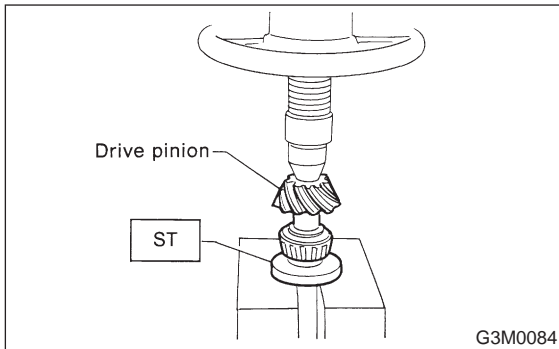
Result: Thickness = 0.2 mm

Therefore use the 32295AA220.

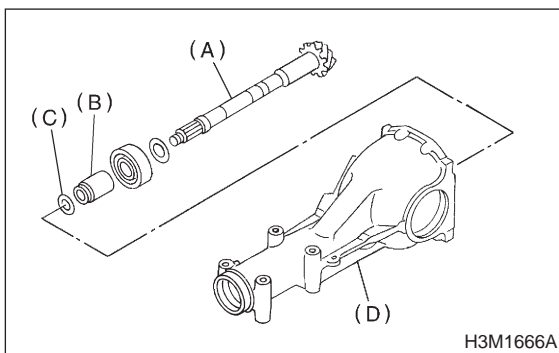
Pinion height adjusting shim	
Part No.	Thickness mm (in)
32295AA200	0.150 (0.0059)
32295AA210	0.175 (0.0069)
32295AA220	0.200 (0.0079)
32295AA230	0.225 (0.0089)
32295AA240	0.250 (0.0098)
32295AA250	0.275 (0.0108)

4) Install the selected pinion height adjusting shim on drive pinion, and press the rear bearing cone into position with ST.

ST 498175500 INSTALLER



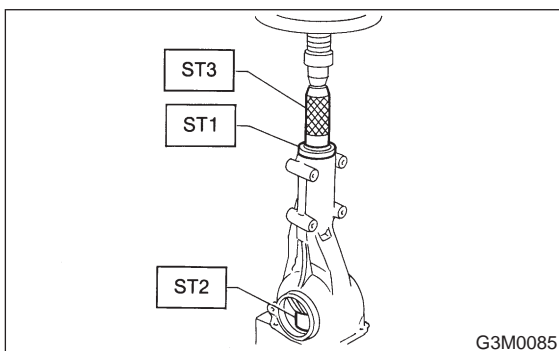
5) Insert drive pinion into differential carrier, install the previously selected bearing preload adjusting spacer and washer.



- (A) Drive pinion
- (B) Adjusting spacer
- (C) Washer
- (D) Differential carrier

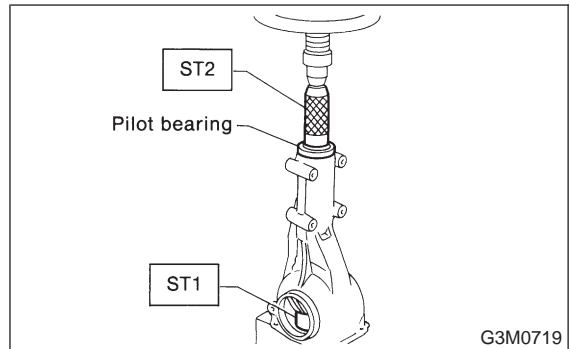
6) Press-fit front bearing cone into case with ST1, ST2 and ST3.

ST1 32285AA000 DUMMY COLLAR  
ST2 399780104 WEIGHT  
ST3 899580100 INSTALLER



7) Insert spacer, then press-fit pilot bearing with ST1 and ST2.

ST1 399780104 WEIGHT  
ST2 899580100 INSTALLER

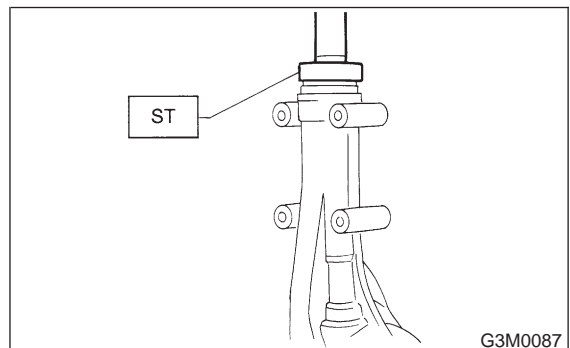


8) Fit a new oil seal with ST.

NOTE:

- Press-fit until end of oil seal is 1 mm (0.04 in) inward from end of carrier.
- Apply grease between the oil seal lips.

ST 498447120 OIL SEAL INSTALLER

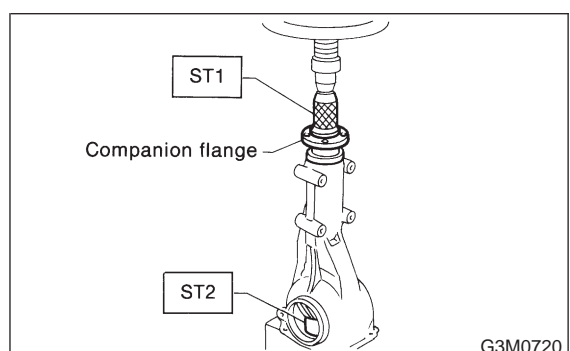


9) Press-fit companion flange with ST1 and ST2.

**CAUTION:**

**Be careful not to damage bearing.**

ST1 899874100 INSTALLER  
ST2 399780104 WEIGHT



### 3-4 [W2E2]

#### 2. Rear Differential

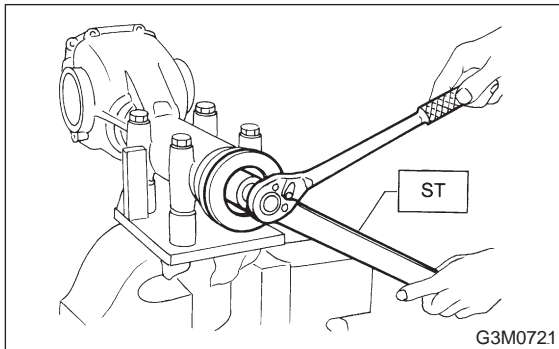
## SERVICE PROCEDURE

10) Install self-locking nut. Then tighten self-locking nut with ST.

ST 398427700 FLANGE WRENCH

**Tightening torque:**

**188±26 N·m (19.2±2.7 kg·m, 139±20 ft·lb)**

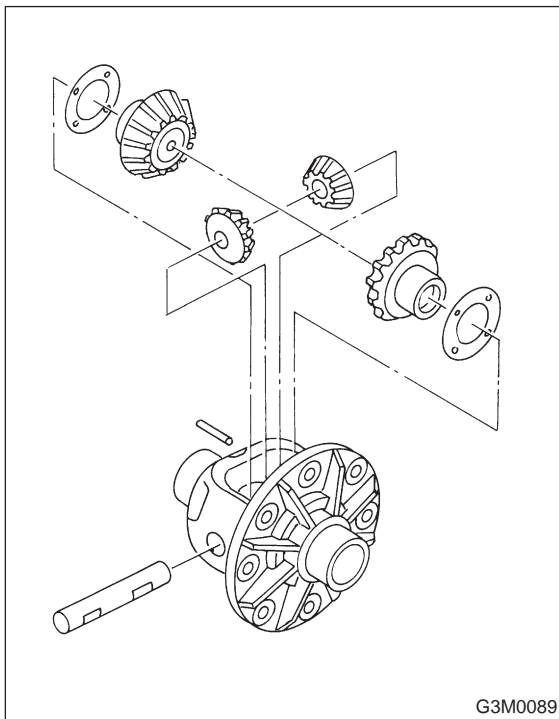


11) Assembling differential case

(1) Install side gears and pinion mate gears, with their thrust washers and pinion mate shaft, into differential case.

**NOTE:**

- Apply gear oil on both sides of the washer and on the side gear shaft before installing.
- Insert the pinion mate shaft into the differential case by aligning the lock pin holes.



(2) Measure the clearance between differential case and the back of side gear.

(3) Adjust the clearance as specified by selecting side gear thrust washer.

**Side gear backlash:**

**0.05 — 0.15 mm (0.0020 — 0.0059 in)**

Side gear thrust washer	
Part No.	Thickness mm (in)
803135011	0.925 — 0.950 (0.0364 — 0.0374)
803135012	0.950 — 0.975 (0.0374 — 0.0384)
803135013	0.975 — 1.000 (0.0384 — 0.0394)
803135014	1.000 — 1.025 (0.0394 — 0.0404)
803135015	1.025 — 1.050 (0.0404 — 0.0413)

(4) Check the condition of rotation after applying oil to the gear tooth surfaces and thrust surfaces.

(5) After driving in pinion shaft lock pin, stake the both sides of the hole to prevent pin from falling off.

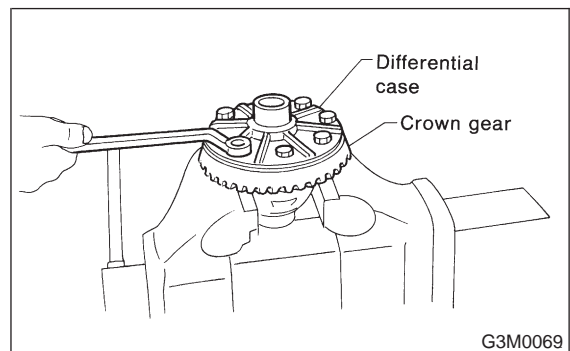
(6) Install crown gear on differential case.

**NOTE:**

Tighten diagonally while tapping the bolt heads.

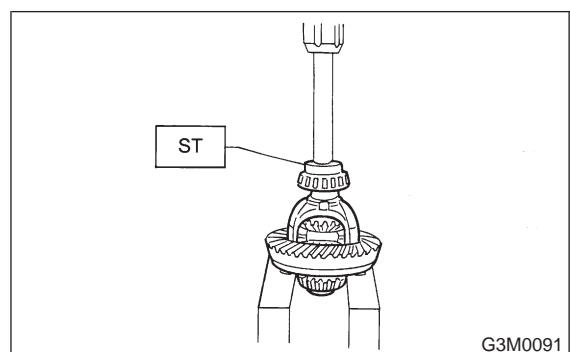
**Tightening torque:**

**62±5 N·m (6.3±0.5 kg·m, 45.6±3.6 ft·lb)**



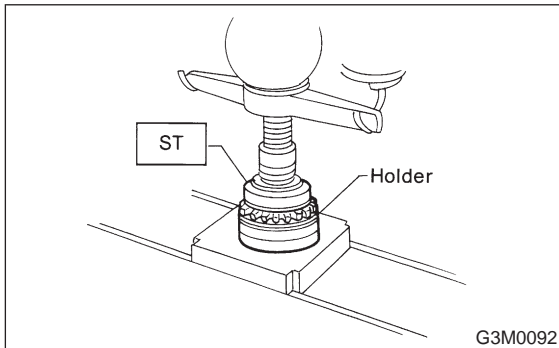
12) Press side bearing cone onto differential case with ST.

ST 498485400 DRIFT

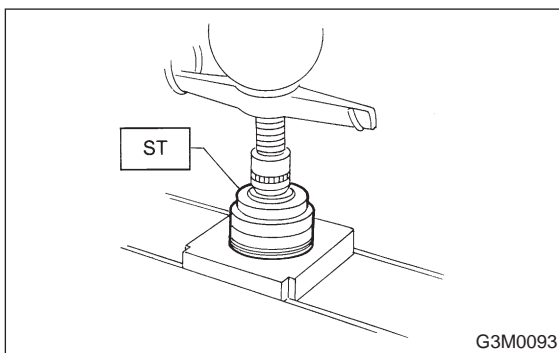


13) Assemble holders.

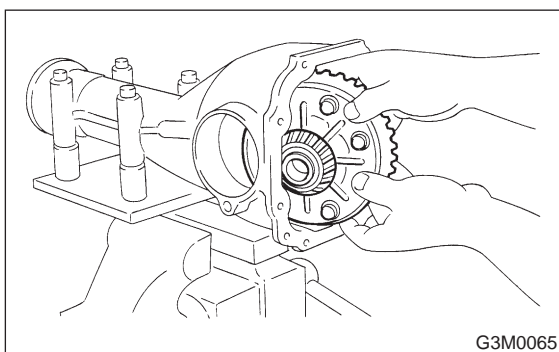
- (1) Install oil seal into right and left holders.  
ST 498447100 AXLE SHAFT OIL SEAL  
INSTALLER



- (2) Install bearing race into right and left holders.  
ST 398477702 BEARING OUTER RACE  
DRIFT

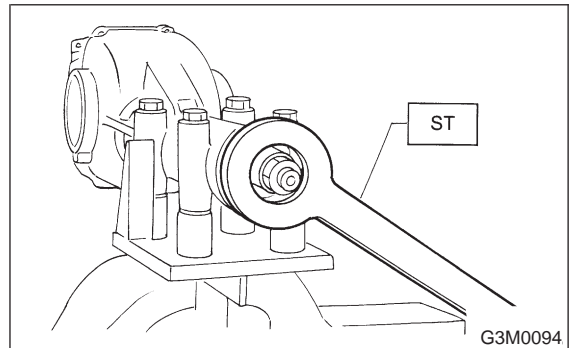


- (3) Install the differential case assembly into differential carrier in the reverse order of disassembly.

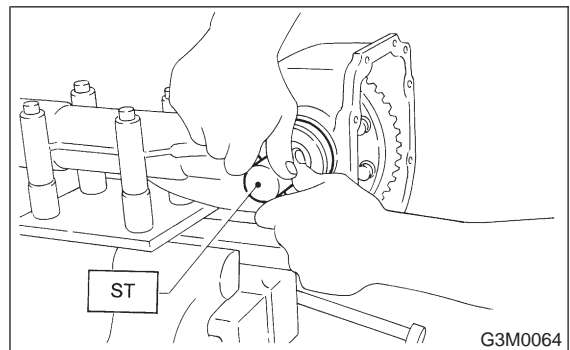


- 14) Perform adjustment of backlash of pinion crown gear set and adjustment of preload of differential side bearing.

- (1) Turn drive pinion with ST for better fitting of differential side bearing.  
ST 498427200 FLANGE WRENCH

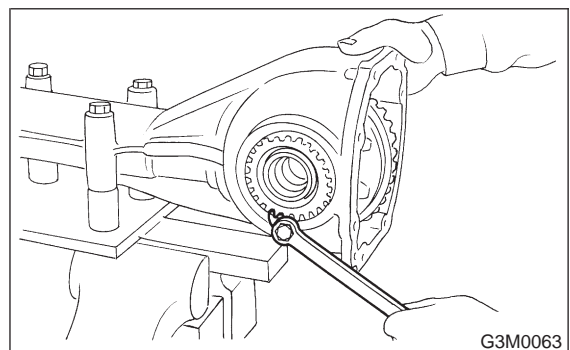


- (2) Screw in left-side holder until light contact is made with ST.  
ST 399780111 WRENCH



- (3) Back off side (left-side) holder approximately 1 1/2 teeth of holder, and tighten left-side holder by approximately 2 teeth (approximately 1 1/2 + 1/2 teeth). [Back off amount of side (left-side) holder + 1/2 tooth]. This + 1/2 tooth gives preload.  
(4) Temporarily tighten lock plate.

**NOTE:**  
Turn over lock plate to displace holder 1/2 tooth.





### 3-4 [W2E2]

#### 2. Rear Differential

## SERVICE PROCEDURE

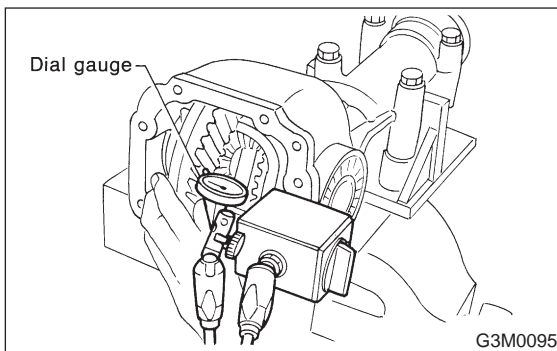
(5) Measure the crown gear-to-drive pinion backlash. Set magnet base on differential carrier. Align contact point of dial gauge with tooth face of crown gear, and move crown gear while holding drive pinion still. Read value indicated on dial gauge.

**NOTE:**

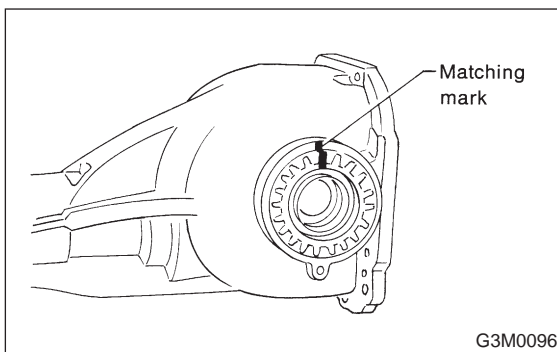
If measured backlash is not within specified range, repeat procedures for pinion crown gear set backlash adjustment and differential side bearing preload adjustment.

**Backlash:**

**0.10 — 0.15 mm (0.0039 — 0.0059 in)**



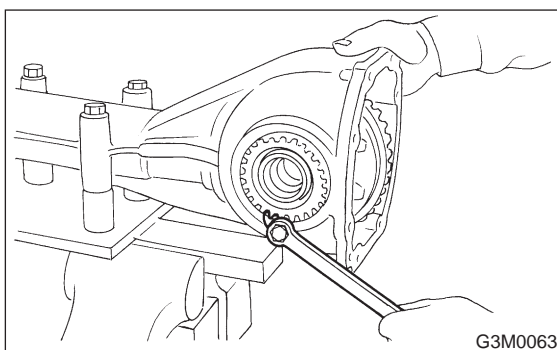
15) Draw a matching mark on both differential carrier and holder. Remove holder one side at a time. Replace in the original position after inserting an O-ring and applying grease to threaded portion.



16) Tighten bolt of lock plate to specified torque.

**Tightening torque:**

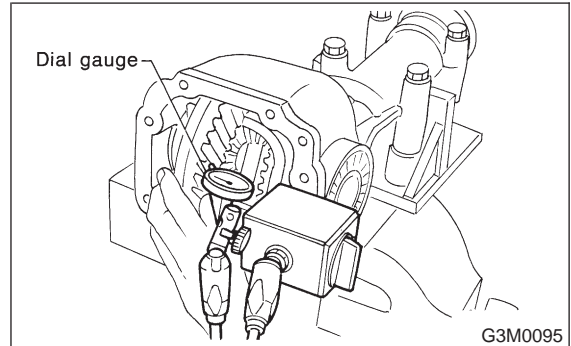
**25±3 N·m (2.5±0.3 kg·m, 18.1±2.2 ft·lb)**



17) Re-check crown gear-to-pinion backlash.

**Backlash:**

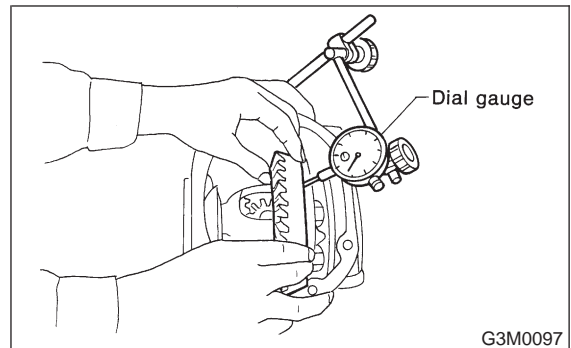
**0.10 — 0.15 mm (0.0039 — 0.0059 in)**



18) Check the crown gear runout on its back surface, and make sure pinion and crown gear rotate smoothly.

**Limit of runout:**

**0.05 mm (0.0020 in)**



19) Checking and adjusting tooth contact of crown gear.

(1) Apply an even coat of red lead on both sides of three or four teeth on the crown gear. Check the contact pattern after rotating crown gear several revolutions back and forth until a definite contact pattern appears on the crown gear.

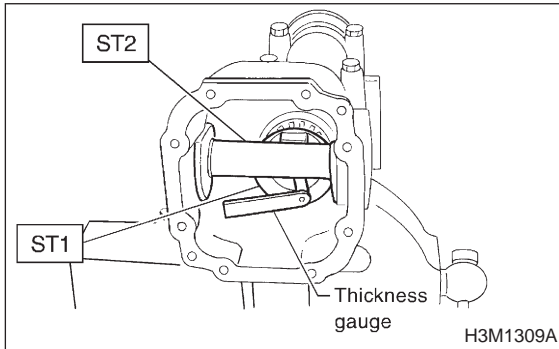
(2) When the contact pattern is incorrect, readjust according to the instructions given in "Tooth contact pattern".

**NOTE:**

Be sure to wipe off red lead completely after adjustment is completed.

20) If proper tooth contact is not obtained, once again adjust the drive pinion height and the differential side bearing preload (mentioned above) and the hypoid gear backlash.

- (1) Drive pinion height  
 ST1 498447150 DUMMY SHAFT  
 ST2 498505501 DIFFERENTIAL CARRIER GAUGE



$$T = T_o + N - 0.35 \text{ (mm)}$$

where

T = Thickness of pinion height adjusting shim (mm)

T<sub>o</sub> = Thickness of shim temporarily inserted (mm)

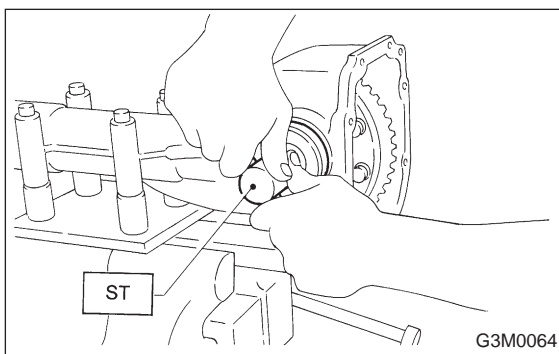
N = Reading of thickness gauge (mm)

- (2) Differential side bearing preload

Back off side (left-side) holder approximately 1 1/2 teeth of holder, and tighten left-side holder by approximately 2 teeth (approximately 1 1/2 + 1/2 teeth). [Back off amount of side (left-side) holder + 1/2 tooth].

This + 1/2 tooth gives preload.

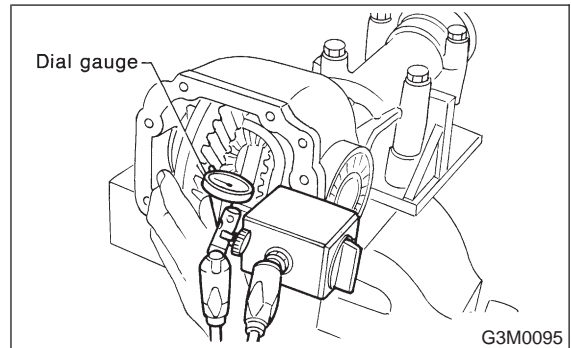
- ST 399780111 WRENCH



- (3) Hypoid gear backlash

**Backlash:**

**0.10 — 0.15 mm (0.0039 — 0.0059 in)**



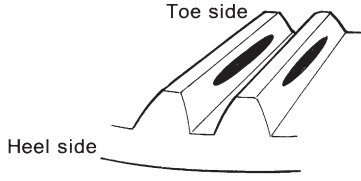
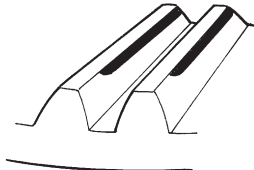
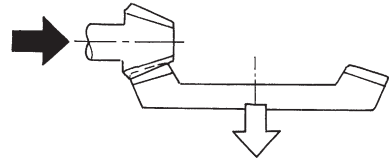
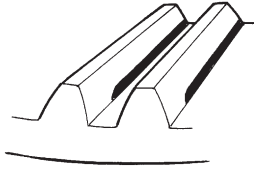
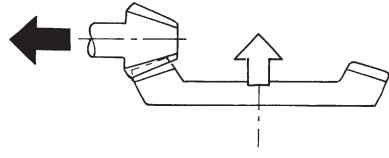
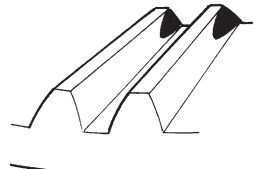
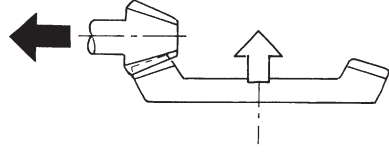
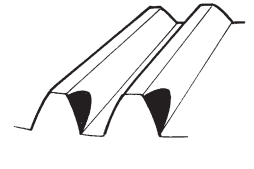
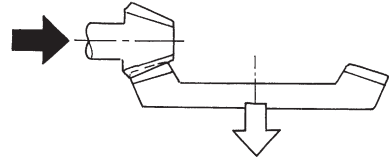
### 3-4 [W2F0]

#### 2. Rear Differential

## SERVICE PROCEDURE

➔ Adjusting direction of drive pinion

⇨ Adjusting direction of crown gear

TOOTH CONTACT PATTERN		
Condition	Contact pattern	Adjustment
Correct tooth contact Tooth contact pattern slightly shifted towards toe under no load rotation. (When loaded, contact pattern moves toward heel.)	 <p>Toe side</p> <p>Heel side</p> <p>G3M0098A</p>	—
Face contact Backlash is too large.	 <p>G3M0098B</p>	Increase thickness of drive pinion height adjusting washer in order to bring drive pinion closer to crown gear center.  <p>G3M0098F</p>
Flank contact Backlash is too small.	 <p>G3M0098C</p>	Reduce thickness of drive pinion height adjusting washer in order to move drive pinion away from crown gear.  <p>G3M0098G</p>
Toe contact	Contact area is small. This may cause chipping at toe ends.  <p>G3M0098D</p>	Adjust as for flank contact.  <p>G3M0098G</p>
Heel contact	Contact area is small. This may cause chipping at heel ends.  <p>G3M0098E</p>	Adjust as for face contact  <p>G3M0098F</p>

### F: INSTALLATION

To install, reverse the removal sequence.

1) Install the air breather cap tapping with a plastic hammer.

### CAUTION:

**Be sure to install new air breather cap.**

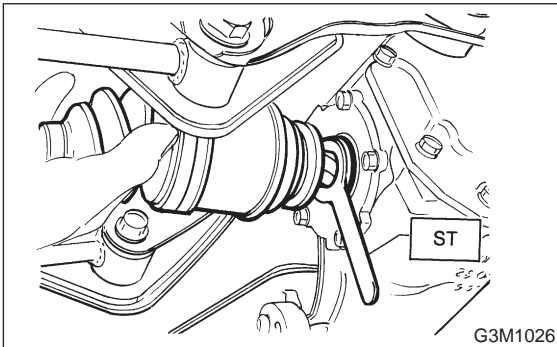
2) Position front member on body by passing it under parking brake cable and securing to rear differential.

**NOTE:**

When installing rear differential front member, do not confuse the installation sequence of the upper and lower stoppers.

3) Install DOJ of rear drive shaft into rear differential.

ST 28099PA090 SIDE OIL SEAL PROTECTOR



4) Installing procedure hereafter is in the reverse order of removal.

5) After installation, fill differential carrier with gear oil to the upper plug level.

**CAUTION:**

- Apply fluid packing to plug (T-type).
- Use a new aluminum gasket when installing the plug (VA-type).

**Fluid packing:**

**THREE BOND 1105 or equivalent**

**Oil capacity:**

**0.8 l (0.8 US qt, 0.7 Imp qt)**

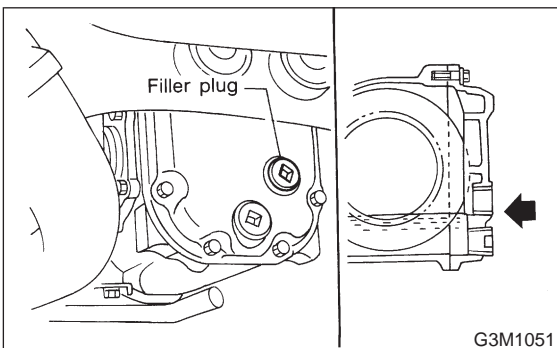
**Tightening torque:**

**T-type;**

**44±4 N·m (4.5±0.4 kg·m, 32.5±2.9 ft·lb)**

**VA-type;**

**34±4 N·m (3.5±0.4 kg·m, 25.3±2.9 ft·lb)**



### 3. Rear Differential Front Member

#### A: REMOVAL

##### 1. T-TYPE

- 1) Disconnect ground cable from battery.
- 2) Move selector lever or gear shift lever to "N".
- 3) Release the parking brake.
- 4) Loosen wheel nuts.
- 5) Jack-up vehicle and support it with sturdy racks.
- 6) Remove wheels.
- 7) Remove rear exhaust pipe.  
<Ref. to 2-9 [W3A0].>
- 8) Remove muffler.  
<Ref. to 2-9 [W4A0].>
- 9) Remove rear differential front member.

**NOTE:**

When removing rear differential front member, work the removal procedure as rear differential.

<Ref. to 3-4 [W2B1].>

##### 2. VA-TYPE

- 1) Disconnect ground cable from battery.
- 2) Move selector lever or gear shift lever to "N".
- 3) Release the parking brake.
- 4) Loosen wheel nuts.
- 5) Jack-up vehicle and support it with sturdy racks.
- 6) Remove wheels.
- 7) Remove rear exhaust pipe.  
<Ref. to 2-9 [W3A0].>
- 8) Remove muffler.  
<Ref. to 2-9 [W4A0].>
- 9) Remove rear differential front member.

**NOTE:**

When removing rear differential front member, work the removal procedure as rear differential.

<Ref. to 3-4 [W2B2].>

#### B: INSTALLATION

##### 1. T-TYPE

To install, reverse the removal sequence.