

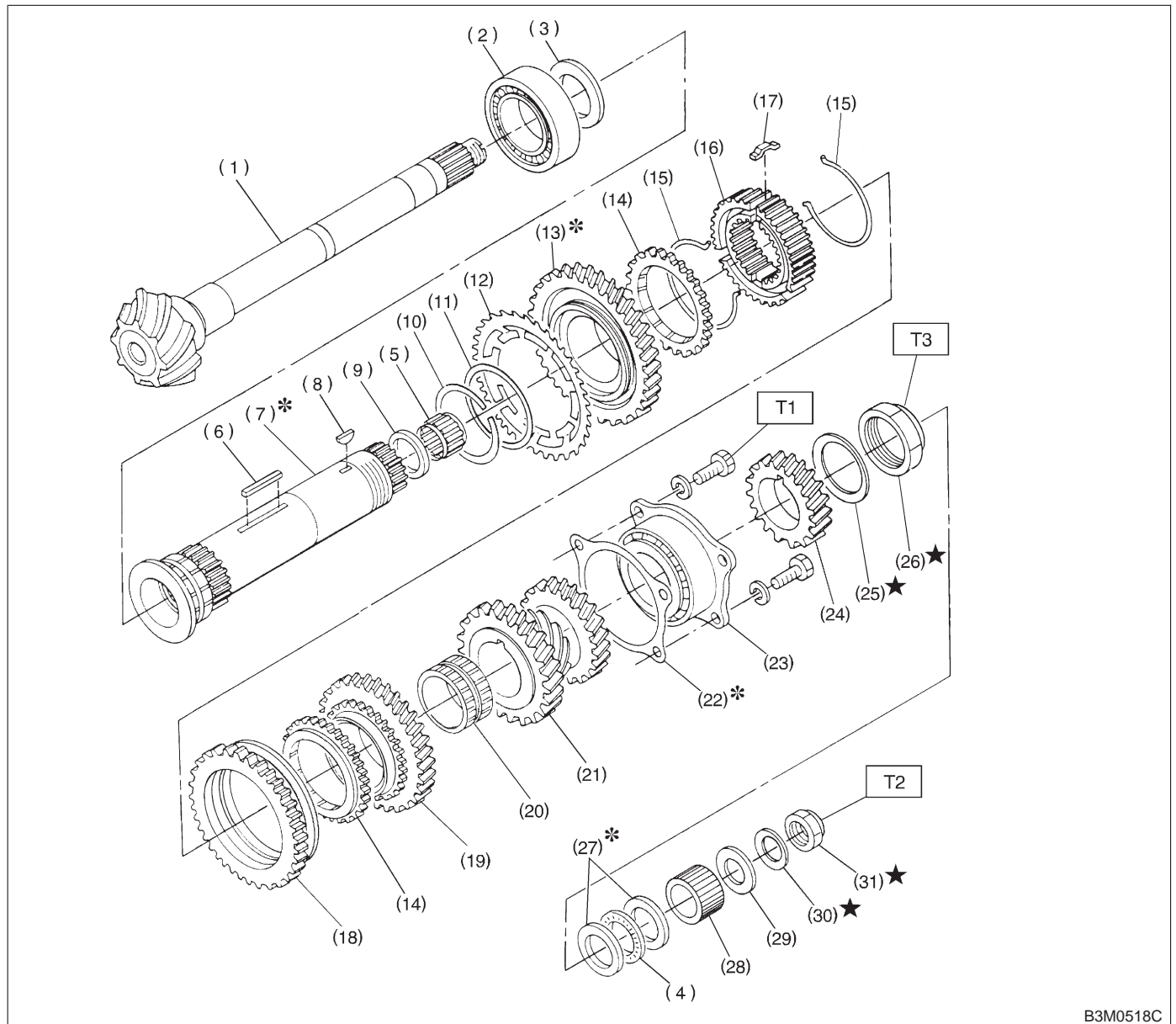
3-1 [C2A0]

2. Drive Pinion Assembly

COMPONENT PARTS

2. Drive Pinion Assembly

A: 2200 cc MODEL



B3M0518C

- | | | |
|-------------------------|-------------------------------|-------------------------------------|
| (1) Drive pinion shaft | (14) Baulk ring | (27) Washer |
| (2) Roller bearing | (15) Spring | (28) Differential bevel gear sleeve |
| (3) Washer | (16) 1st-2nd synchronizer hub | (29) Washer |
| (4) Thrust bearing | (17) Insert | (30) Lock washer |
| (5) Needle bearing | (18) Reverse driven gear | (31) Lock nut |
| (6) Key | (19) 2nd driven gear | |
| (7) Driven shaft | (20) 2nd driven gear bush | |
| (8) Woodruff key | (21) 3rd-4th driven gear | |
| (9) Drive pinion collar | (22) Driven pinion shim | |
| (10) Snap ring (Outer) | (23) Roller bearing | |
| (11) Washer | (24) 5th driven gear | |
| (12) Sub gear | (25) Lock washer | |
| (13) 1st driven gear | (26) Lock nut | |

Tightening torque: N-m (kg-m, ft-lb)

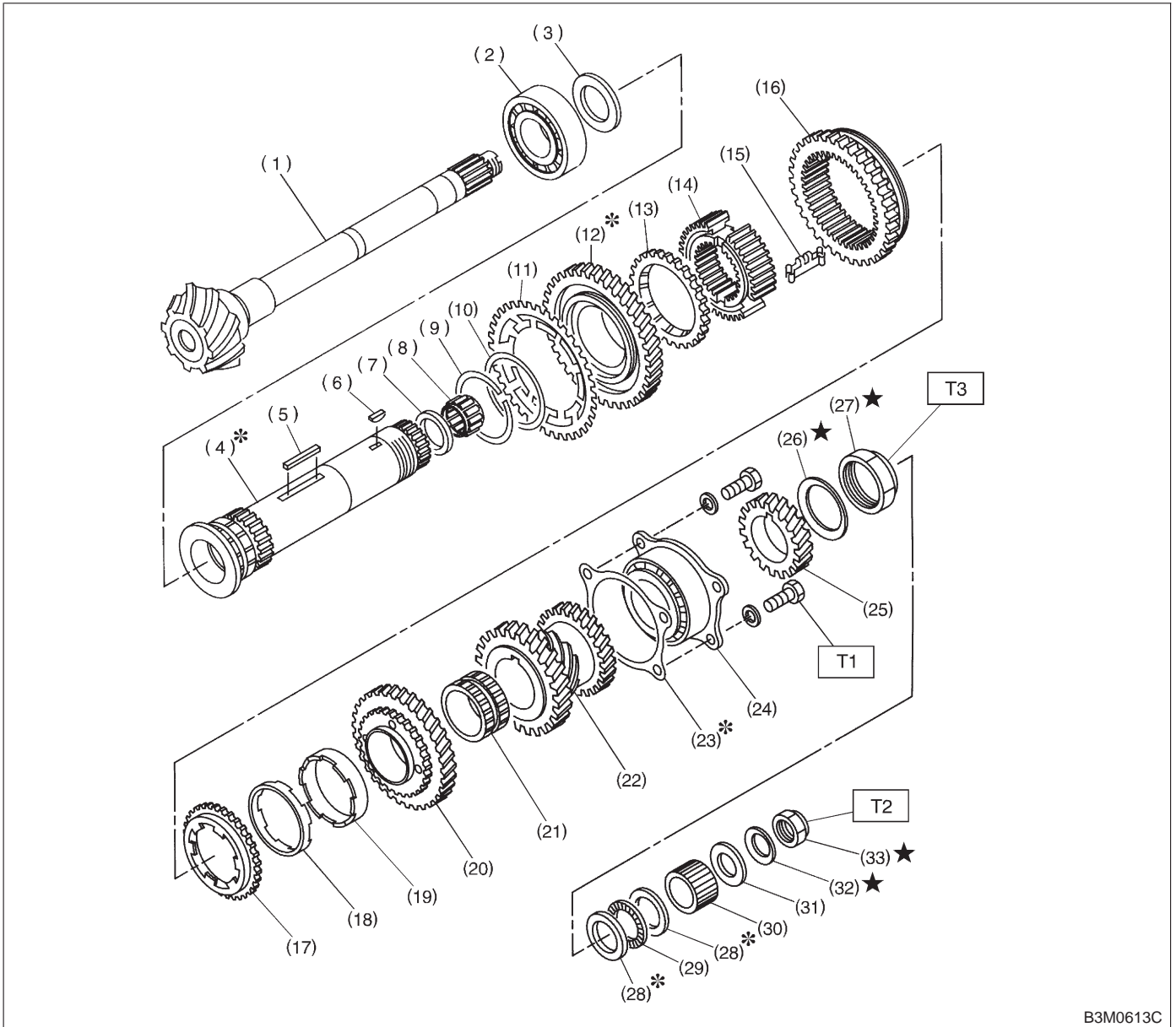
T1: 29±3 (3.0±0.3, 21.7±2.2)

T2: 118±8 (12.0±0.8, 86.8±5.8)

T3: 265±10 (27±1, 195±7)

COMPONENT PARTS

B: 2500 cc MODEL



B3M0613C

- | | | |
|-------------------------|-------------------------------|-------------------------------------|
| (1) Drive pinion shaft | (14) 1st-2nd synchronizer hub | (27) Lock nut |
| (2) Roller bearing | (15) Insert key | (28) Washer |
| (3) Washer | (16) Reverse driven gear | (29) Thrust bearing |
| (4) Driven shaft | (17) Outer baulk ring | (30) Differential bevel gear sleeve |
| (5) Key | (18) Synchro cone | (31) Washer |
| (6) Woodruff key | (19) Inner baulk ring | (32) Lock washer |
| (7) Drive pinion collar | (20) 2nd driven gear | (33) Lock nut |
| (8) Needle bearing | (21) 2nd driven gear bush | |
| (9) Snap ring (Outer) | (22) 3rd-4th driven gear | |
| (10) Washer | (23) Driven pinion shim | |
| (11) Sub gear | (24) Roller bearing | |
| (12) 1st driven gear | (25) 5th driven gear | |
| (13) Baulk ring | (26) Lock washer | |

Tightening torque: N-m (kg-m, ft-lb)

T1: 29±3 (3.0±0.3, 21.7±2.2)

T2: 118±8 (12.0±0.8, 86.8±5.8)

T3: 265±10 (27±1, 195±7)