

3-2 [T8A1] AUTOMATIC TRANSMISSION AND DIFFERENTIAL

8. Diagnostic Chart with Trouble Code

8. Diagnostic Chart with Trouble Code

A: LIST OF TROUBLE CODE

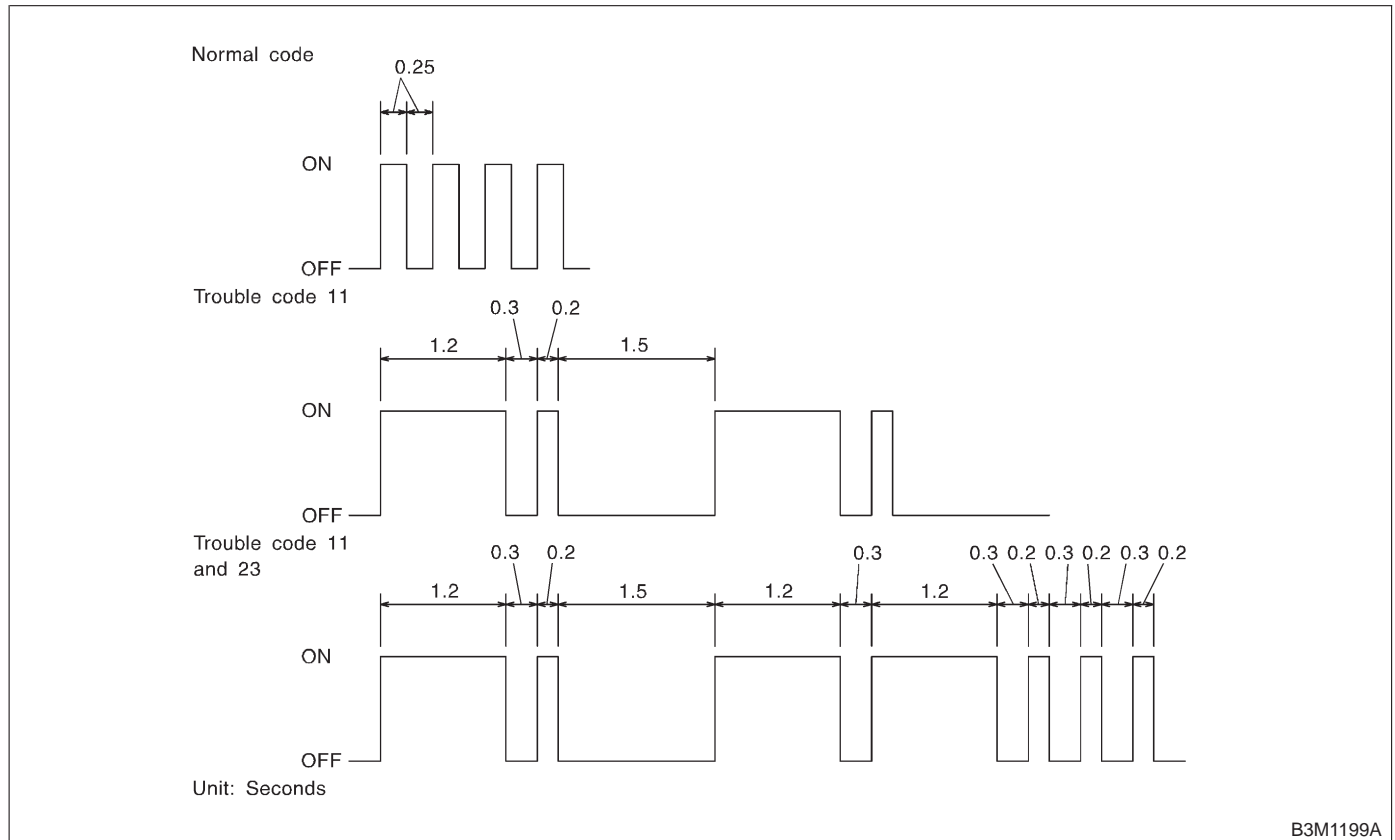
1. TROUBLE CODE

Trouble code	Item	Content of diagnosis	Title index No.
11	Engine speed signal	Detects open or shorted input signal circuit.	<Ref. to 3-2 [T8C0].>
23	AT load signal (Except 2200 cc California spec. vehicles)	Detects open or shorted input signal circuit.	<Ref. to 3-2 [T8D0].>
27	ATF temperature sensor	Detects open or shorted input signal circuit.	<Ref. to 3-2 [T8E0].>
31	Throttle position sensor	Detects open or shorted input signal circuit.	<Ref. to 3-2 [T8F0].>
33	Vehicle speed sensor 2 (Front)	Detects open or shorted input signal circuit.	<Ref. to 3-2 [T8G0].>
36	Torque converter turbine speed sensor	Detects open or shorted input signal circuit.	<Ref. to 3-2 [T8H0].>
38	Torque control signal	Detects open or shorted input signal circuit.	<Ref. to 3-2 [T8I0].>
45	AT load signal (2200 cc California spec. vehicles)	Detects open or shorted input signal circuit.	<Ref. to 3-2 [T8J0].>
71	Shift solenoid 1	Detects open or shorted drive circuit, as well as solenoid seizure.	<Ref. to 3-2 [T8K0].>
72	Shift solenoid 2	Detects open or shorted drive circuit, as well as solenoid seizure.	<Ref. to 3-2 [T8L0].>
73	Low clutch timing solenoid	Detects open or shorted drive circuit, as well as solenoid seizure.	<Ref. to 3-2 [T8M0].>
74	2-4 brake timing solenoid	Detects open or shorted drive circuit, as well as solenoid seizure.	<Ref. to 3-2 [T8N0].>
75	Duty solenoid A	Detects open or shorted drive circuit, as well as solenoid seizure.	<Ref. to 3-2 [T8O0].>
76	Duty solenoid D	Detects open or shorted drive circuit, as well as solenoid seizure.	<Ref. to 3-2 [T8P0].>
77	Duty solenoid B	Detects open or shorted drive circuit, as well as solenoid seizure.	<Ref. to 3-2 [T8Q0].>
79	Duty solenoid C	Detects open or shorted drive circuit, as well as solenoid seizure.	<Ref. to 3-2 [T8R0].>
93	Vehicle speed sensor 1 (Rear)	Detects open or shorted input signal circuit.	<Ref. to 3-2 [T8S0].>

2. HOW TO READ TROUBLE CODE OF INDICATOR LIGHT

The AT OIL TEMP indicator light flashes the code corresponding to the faulty part.

The long segment (1.2 sec on) indicates a “ten”, and the short segment (0.2 sec on) signifies a “one”.



B3M1199A

B: CLEAR MEMORY

Current trouble codes shown on the display are cleared by turning the ignition switch OFF after conducting on-board diagnostics operation. Previous trouble codes, however, cannot be cleared since they are stored in the TCM memory which is operating on the back-up power supply. These trouble codes can be cleared by removing the specified fuse (located under the light or left lower position of the instrument panel).

CLEAR MEMORY:

Removal of No. 14 fuse (for at least one minute)

- The No. 14 fuse is located in the line to the memory back-up power supply of the TCM. Removal of this fuse clears the previous trouble codes stored in the TCM memory.
- Be sure to remove the No. 14 fuse for at least the specified length of time. Otherwise, trouble codes may not be cleared.

3-2 [T8C0] AUTOMATIC TRANSMISSION AND DIFFERENTIAL

8. Diagnostic Chart with Trouble Code

C: TROUBLE CODE 11 — ENGINE SPEED SIGNAL —

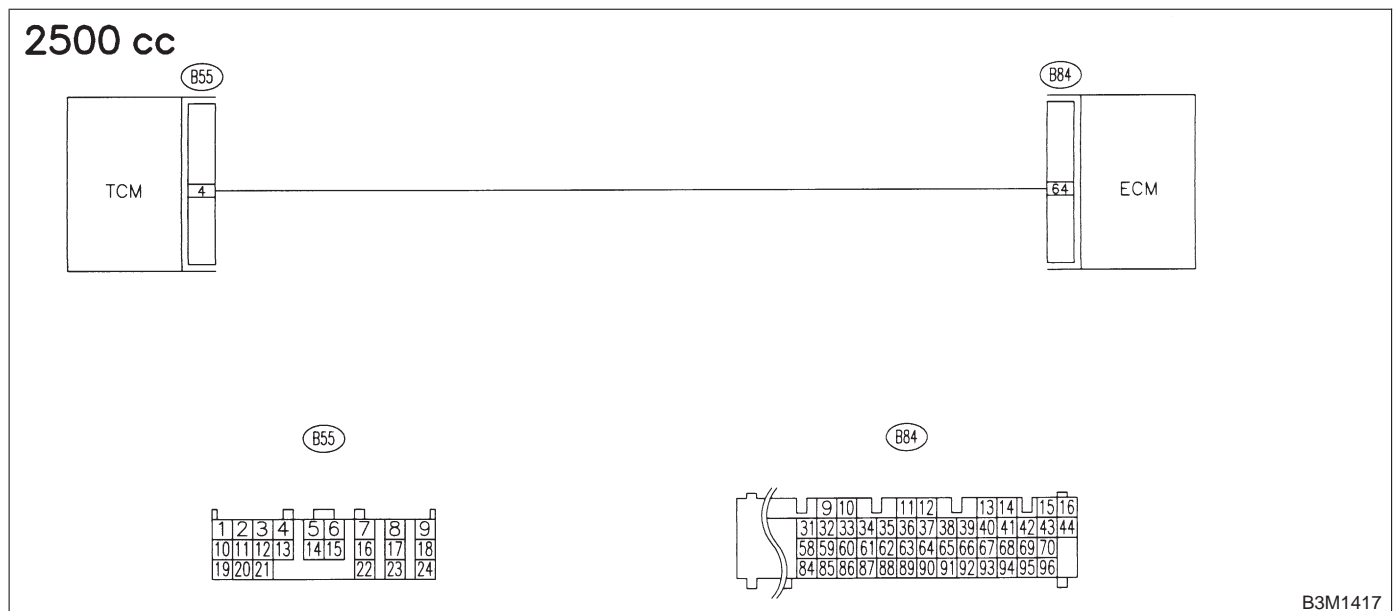
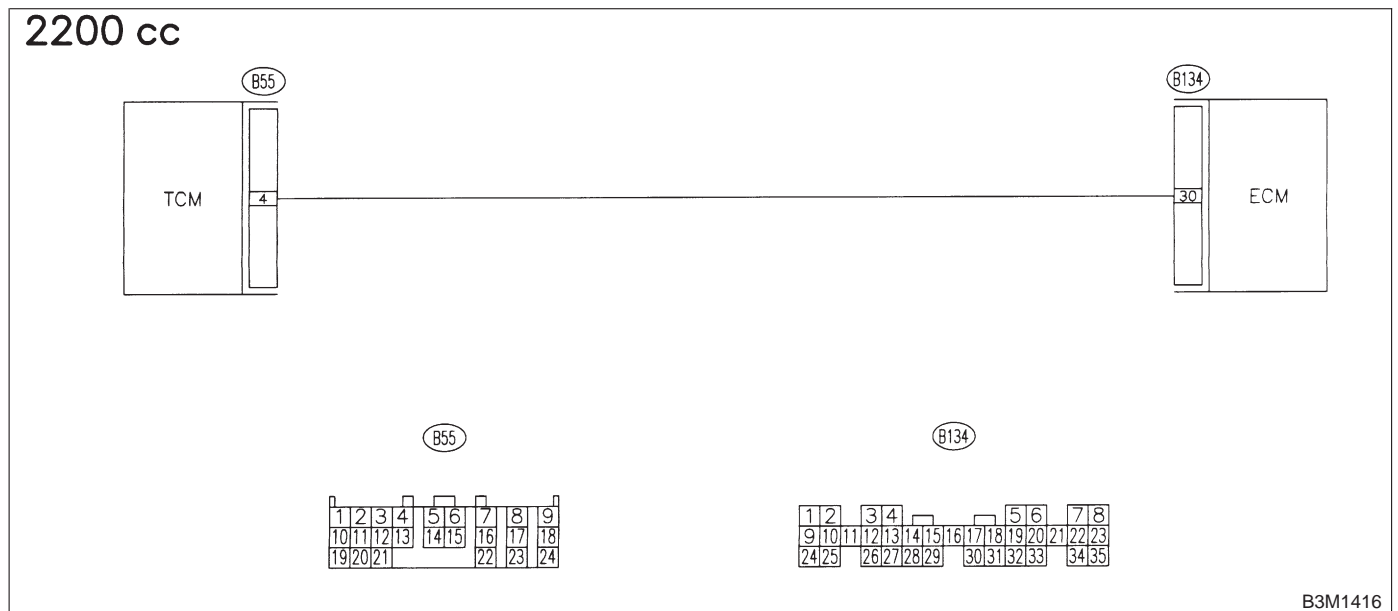
DIAGNOSIS:

Engine speed input signal circuit is open or shorted.

TROUBLE SYMPTOM:

- No lock-up (after engine warm-up).
- AT OIL TEMP indicator remains on when vehicle speed is "0".

WIRING DIAGRAM:



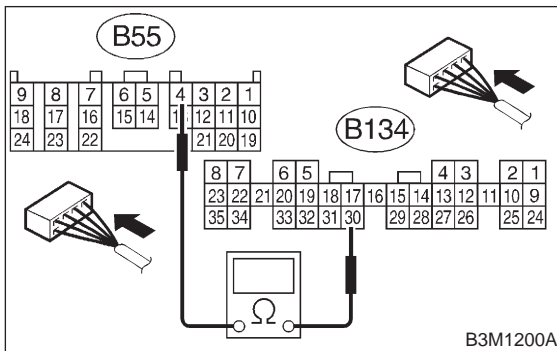
8C1 : CHECK DISPLACEMENT OF VEHICLE.

- CHECK** : Is the vehicle 2200 cc engine?
- YES** : Go to step 8C2.
- NO** : Go to step 8C3.

8C2 : CHECK HARNESS CONNECTOR BETWEEN TCM AND ECM.

- 1) Turn ignition switch to OFF.
- 2) Disconnect connectors from TCM and ECM.
- 3) Measure resistance of harness between TCM and ECM connector.

Connector & terminal
(B55) No. 4 — (B134) No. 30:

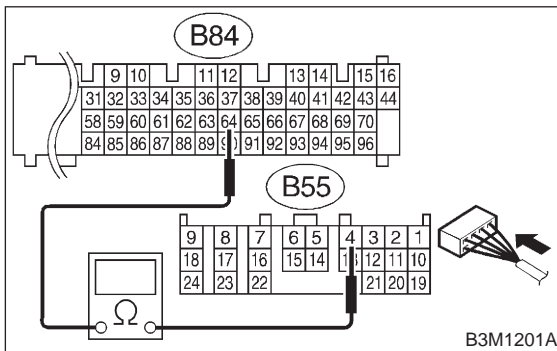


- CHECK** : Is the resistance less than 1 Ω?
YES : Go to step 8C4.
NO : Repair open circuit in harness between TCM and ECM connector.

8C3 : CHECK HARNESS CONNECTOR BETWEEN TCM AND ECM.

- 1) Turn ignition switch to OFF.
- 2) Disconnect connectors from TCM and ECM.
- 3) Measure resistance of harness between TCM and ECM connector.

Connector & terminal
(B55) No. 4 — (B84) No. 64:

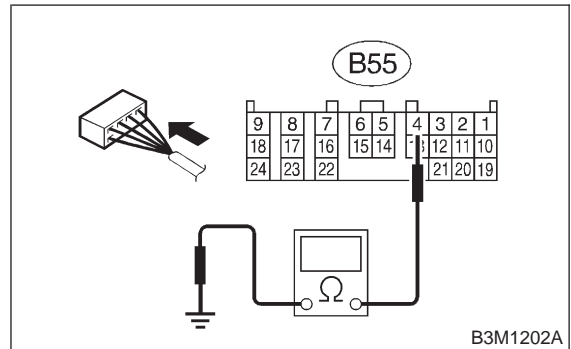


- CHECK** : Is the resistance less than 1 Ω?
YES : Go to step 8C4.
NO : Repair open circuit in harness between TCM and ECM connector.

8C4 : CHECK HARNESS CONNECTOR BETWEEN TCM AND ECM.

Measure resistance of harness between TCM connector and chassis ground.

Connector & terminal
(B55) No. 4 — Chassis ground:



- CHECK** : Is the resistance more than 1 MΩ?
YES : Go to step 8C5.
NO : Repair short circuit in harness between TCM and ECM connector.

8C5 : PREPARE SUBARU SELECT MONITOR.

- CHECK** : Do you have a Subaru Select Monitor?
YES : Go to step 8C7.
NO : Go to step 8C6.

3-2 [T8C6] AUTOMATIC TRANSMISSION AND DIFFERENTIAL

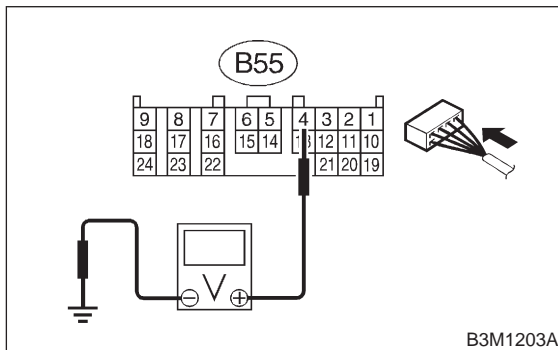
8. Diagnostic Chart with Trouble Code

8C6 : CHECK INPUT SIGNAL FOR TCM.

- 1) Connect connectors to TCM and ECM.
- 2) Turn ignition switch to ON (engine OFF).
- 3) Measure voltage between TCM connector and chassis ground.

Connector & terminal

(B55) No. 4 (+) — Chassis ground (-):



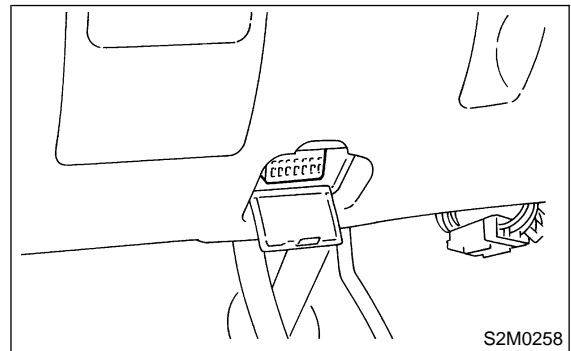
CHECK : *Is the voltage more than 10.5 V?*

YES : Even if "AT OIL TEMP" lights up, the circuit has returned to a normal condition at this time. A temporary poor contact of the connector or harness may be the cause. Repair harness or connector in the TCM and ECM.

NO : Go to step **8C8**.

8C7 : CHECK INPUT SIGNAL FOR TCM USING SUBARU SELECT MONITOR.

- 1) Connect connectors to TCM and ECM.
- 2) Connect Subaru Select Monitor to data link connector.



- 3) Start the engine, and turn Subaru Select Monitor switch to ON.
- 4) Warm-up the engine until engine coolant temperature is above 80°C (176°F).
- 5) Engine idling.
- 6) Read data of engine speed using Subaru Select Monitor.
 - Display shows engine speed signal value sent from ECM.

CHECK : *Is the revolution value the same as the tachometer reading shown on the combination meter?*

YES : Even if "AT OIL TEMP" lights up, the circuit has returned to a normal condition at this time. A temporary poor contact of the connector or harness may be the cause. Repair harness or connector in the TCM and ECM.

NO : Go to step **8C8**.

8C8 : CHECK POOR CONTACT.

CHECK : *Is there poor contact in engine speed signal circuit?*

YES : Repair poor contact.

NO : Go to step **8C9**.

8C9 : CONFIRM TROUBLE CODE 11.

CHECK : *Replace ECM with a new one. Does the trouble code appear again, after the memory has been cleared?*

YES : Replace TCM. <Ref. to 3-2 [W22A0].>

NO : Replace ECM. <Ref. to 2-7 [W15A0].>

D: TROUBLE CODE 23 — AT LOAD SIGNAL (EXCEPT 2200 cc CALIFORNIA SPEC. VEHICLES) —

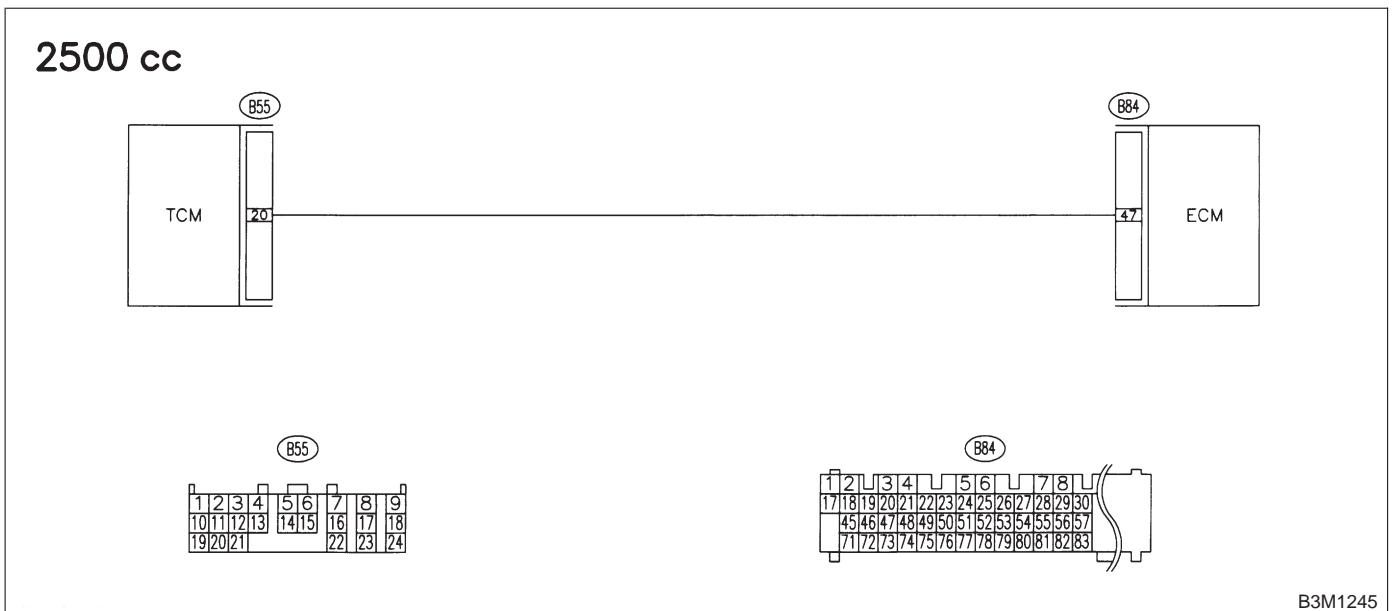
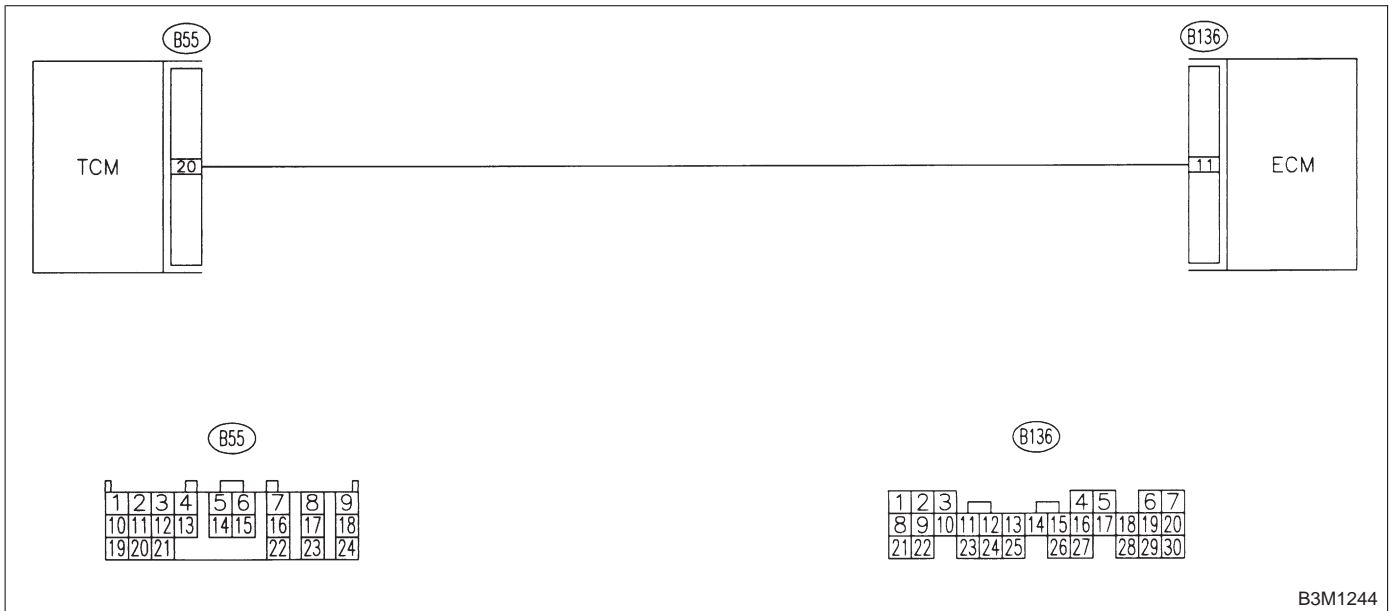
DIAGNOSIS:

Input signal circuit of TCM from ECM is open or shorted.

TROUBLE SYMPTOM:

Excessive shift shock.

WIRING DIAGRAM:



8D1 : CHECK DISPLACEMENT OF THE VEHICLE.

- CHECK** : *Is the vehicle 2200 cc engine?*
- YES** : Go to step **8D2**.
- NO** : Go to step **8D3**.

3-2 [T8D2] AUTOMATIC TRANSMISSION AND DIFFERENTIAL

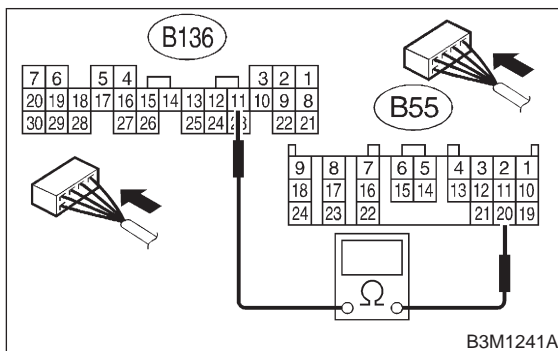
8. Diagnostic Chart with Trouble Code

8D2 : CHECK HARNESS CONNECTOR BETWEEN TCM AND ECM.

- 1) Turn ignition switch to OFF.
- 2) Disconnect connectors from TCM and ECM.
- 3) Measure resistance of harness between TCM and ECM connector.

Connector & terminal

(B55) No. 20 — (B136) No. 11:



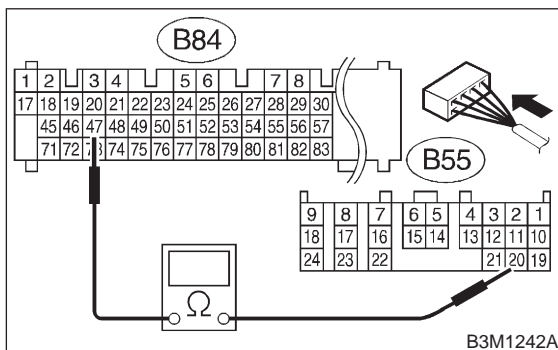
- CHECK** : Is the resistance less than 1 Ω?
- YES** : Go to step 8D4.
- NO** : Repair open circuit in harness between TCM and ECM connector.

8D3 : CHECK HARNESS CONNECTOR BETWEEN TCM AND ECM.

- 1) Turn ignition switch to OFF.
- 2) Disconnect connectors from TCM and ECM.
- 3) Measure resistance of harness between TCM and ECM connector.

Connector & terminal

(B55) No. 20 — (B84) No. 47:



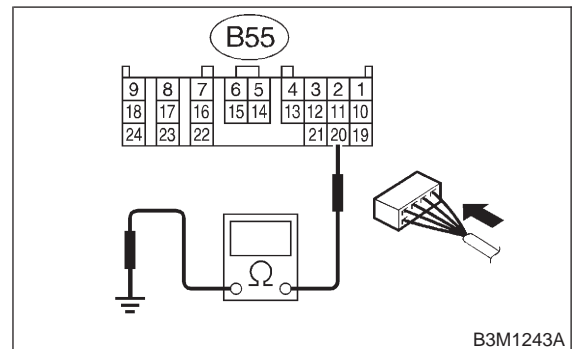
- CHECK** : Is the resistance less than 1 Ω?
- YES** : Go to step 8D4.
- NO** : Repair open circuit in harness between TCM and ECM connector.

8D4 : CHECK HARNESS CONNECTOR BETWEEN TCM AND ECM.

Measure resistance of harness between TCM connector and chassis ground.

Connector & terminal

(B55) No. 20 — Chassis ground:



- CHECK** : Is the resistance more than 1 MΩ?
- YES** : Go to step 8D5.
- NO** : Repair short circuit in harness between TCM and ECM connector.

8D5 : PREPARE SUBARU SELECT MONITOR.

- CHECK** : Do you have a Subaru Select Monitor?
- YES** : Go to step 8D7.
- NO** : Go to step 8D6.

8D6 : CHECK INPUT SIGNAL FOR TCM.

- 1) Connect connectors to TCM and ECM.
- 2) Start the engine, and warm-up the transmission until ATF temperature is above 80°C (176°F).

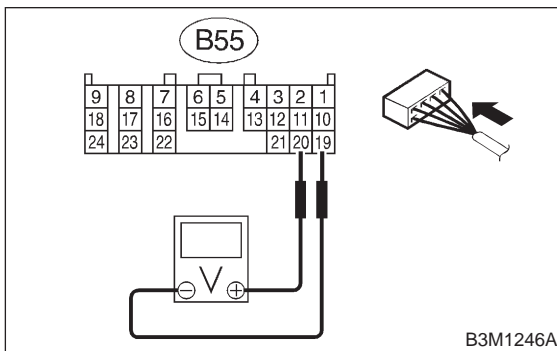
NOTE:

If ambient temperature is below 0°C (32°F), drive the vehicle until the ATF reaches its operating temperature.

- 3) Engine idling.
- 4) Measure voltage between TCM connectors.

Connector & terminal

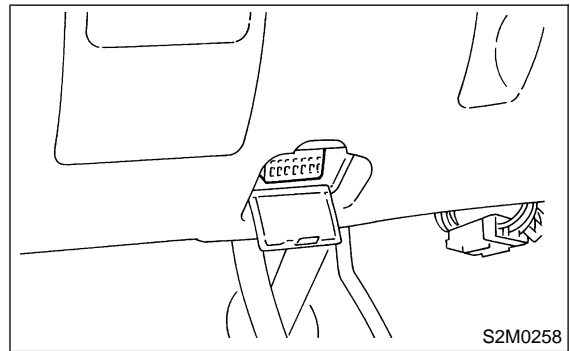
(B55) No. 20 (+) — No. 19 (-):



- CHECK** : **Is the voltage between 0.5 and 1.2 V?**
- YES** : Even if "AT OIL TEMP" lights up, the circuit has returned to a normal condition at this time. A temporary poor contact of the connector or harness may be the cause. Repair harness or connector in the TCM and ECM.
- NO** : Go to step **8D8**.

8D7 : CHECK INPUT SIGNAL FOR TCM USING SUBARU SELECT MONITOR.

- 1) Connect connectors to TCM and ECM.
- 2) Turn ignition switch to OFF.
- 3) Connect Subaru Select Monitor to data link connector.



- 4) Start the engine, and turn Subaru Select monitor switch to ON.
 - 5) Warm-up the engine until engine coolant temperature is above 80°C (176°F).
 - 6) Engine idling.
 - 7) Read data of mass air flow signal using Subaru Select Monitor.
- Display shows mass air flow signal value sent from ECM.

- CHECK** : **Is the value between 0.5 and 1.2 V?**
- YES** : Even if "AT OIL TEMP" lights up, the circuit has returned to a normal condition at this time. A temporary poor contact of the connector or harness may be the cause. Repair harness or connector in the TCM and ECM.
- NO** : Go to step **8D8**.

8D8 : CHECK POOR CONTACT.

- CHECK** : **Is there poor contact in mass air flow signal circuit?**
- YES** : Repair poor contact.
- NO** : Replace TCM. <Ref. to 3-2 [W22A0].>

3-2 [T8D8] AUTOMATIC TRANSMISSION AND DIFFERENTIAL
8. Diagnostic Chart with Trouble Code

MEMO:

E: TROUBLE CODE 27 — ATF TEMPERATURE SENSOR —

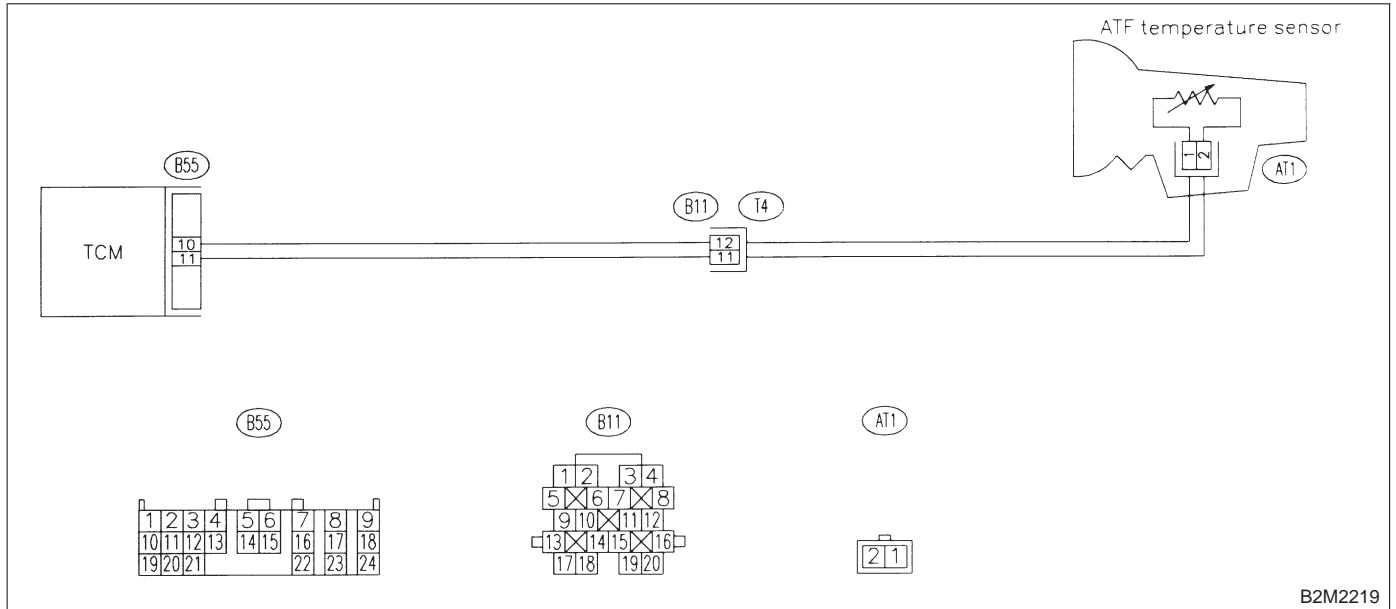
DIAGNOSIS:

Input signal circuit of TCM to ATF temperature sensor is open or shorted.

TROUBLE SYMPTOM:

Excessive shift shock.

WIRING DIAGRAM:



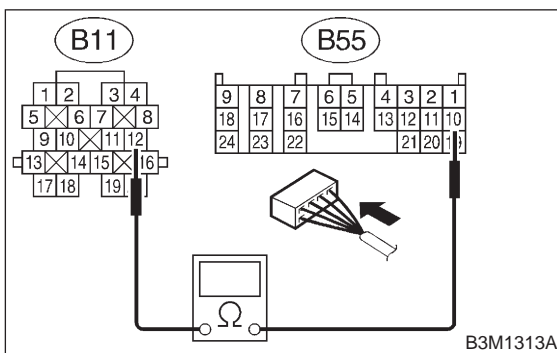
B2M2219

8E1 : CHECK HARNESS CONNECTOR BETWEEN TCM AND ATF TEMPERATURE SENSOR.

- 1) Turn ignition switch to OFF.
- 2) Disconnect connector from transmission and TCM.
- 3) Measure resistance of harness between TCM and transmission connector.

Connector & terminal

(B55) No. 10 — (B11) No. 12:



B3M1313A

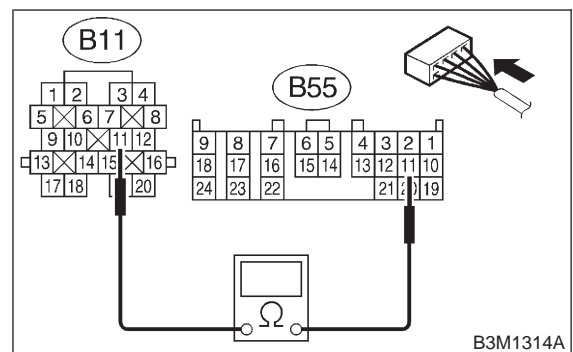
- CHECK** : *Is the resistance less than 1 Ω?*
- YES** : Go to step **8E2**.
- NO** : Repair open circuit in harness between TCM and transmission connector.

8E2 : CHECK HARNESS CONNECTOR BETWEEN TCM AND ATF TEMPERATURE SENSOR.

Measure resistance of harness between TCM and transmission connector.

Connector & terminal

(B55) No. 11 — (B11) No. 11:



B3M1314A

- CHECK** : *Is the resistance less than 1 Ω?*
- YES** : Go to step **8E3**.
- NO** : Repair open circuit in harness between TCM and transmission connector.

3-2 [T8E3] AUTOMATIC TRANSMISSION AND DIFFERENTIAL

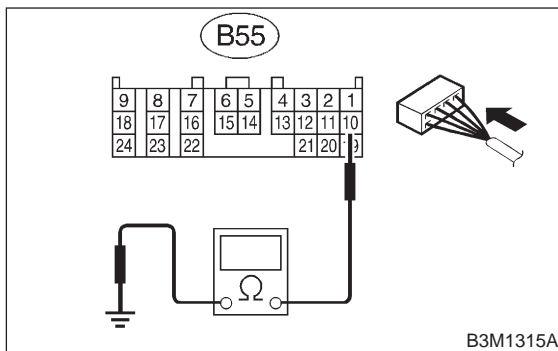
8. Diagnostic Chart with Trouble Code

8E3 : CHECK HARNESS CONNECTOR BETWEEN TCM AND ATF TEMPERATURE SENSOR.

Measure resistance of harness between TCM connector and transmission ground.

Connector & terminal

(B55) No. 10 — Chassis ground:



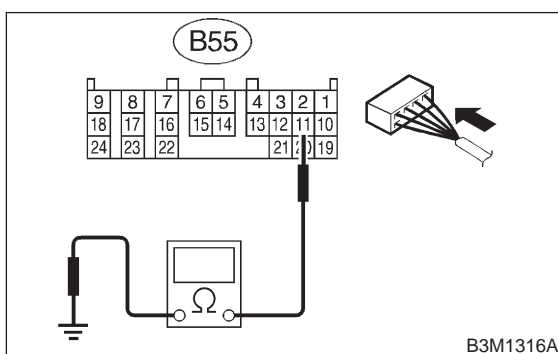
- CHECK** : Is the resistance more than 1 MΩ?
- YES** : Go to step 8E4.
- NO** : Repair short circuit in harness between TCM and transmission connector.

8E4 : CHECK HARNESS CONNECTOR BETWEEN TCM AND ATF TEMPERATURE SENSOR.

Measure resistance of harness between TCM connector and transmission ground.

Connector & terminal

(B55) No. 11 — Chassis ground:



- CHECK** : Is the resistance more than 1 MΩ?
- YES** : Go to step 8E5.
- NO** : Repair short circuit in harness between TCM and transmission connector.

8E5 : CHECK ATF TEMPERATURE SENSOR.

- 1) Turn ignition switch to OFF.
- 2) Connect connectors to transmission and TCM.
- 3) Turn ignition switch to ON and start engine.
- 4) Warm-up the transmission until ATF temperature reaches to 80°C (176°F).

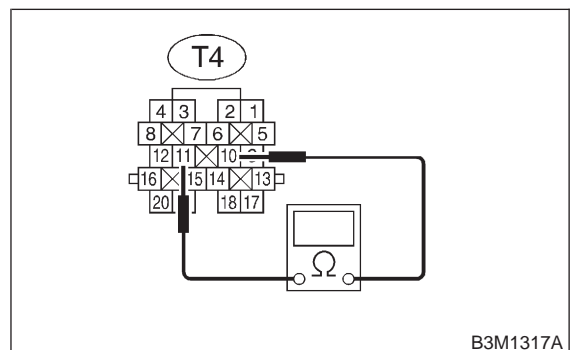
NOTE:

If ambient temperature is below 0°C (32°F), drive the vehicle until the ATF reaches its operating temperature.

- 5) Measure resistance between transmission connector terminals.
- 6) Disconnect connector from transmission.

Connector & terminal

(T4) No. 11 — No. 10:

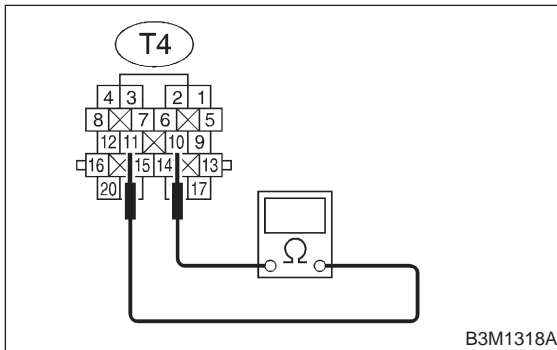


- CHECK** : Is the resistance between 275 and 375 Ω?
- YES** : Go to step 8E6.
- NO** : Go to step 8E13.

8E6 : CHECK ATF TEMPERATURE SENSOR.

- 1) Turn ignition switch to ON (engine OFF).
- 2) Measure resistance between transmission connector terminals.

Connector & terminal
(T4) No. 11 — No. 10:



CHECK : *Does the resistance value increase while the ATF temperature decreases?*

YES : Go to step 8E7.

NO : Go to step 8E13.

8E7 : PREPARE SUBARU SELECT MONITOR.

CHECK : *Do you have a Subaru Select Monitor?*

YES : Go to step 8E10.

NO : Go to step 8E8.

8E8 : CHECK INPUT SIGNAL FOR TCM.

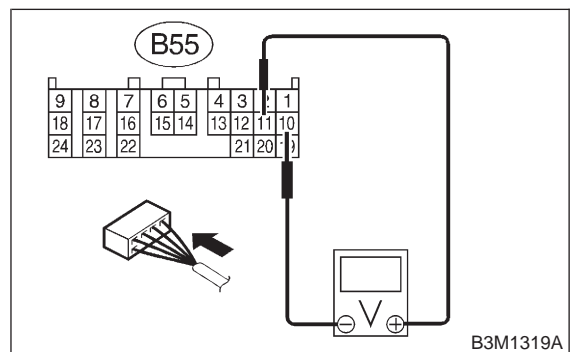
- 1) Warm-up the transmission until ATF temperature is about 80°C (176°F).

NOTE:

If ambient temperature is below 0°C (32°F), drive the vehicle until the ATF reaches its operating temperature.

- 2) Measure voltage between TCM connector terminal.

Connector & terminal
(B55) No. 11 (+) — No. 10:



CHECK : *Is the voltage between 2.9 and 4.0 V?*

YES : Go to step 8E9.

NO : Go to step 8E12.

3-2 [T8E9] AUTOMATIC TRANSMISSION AND DIFFERENTIAL

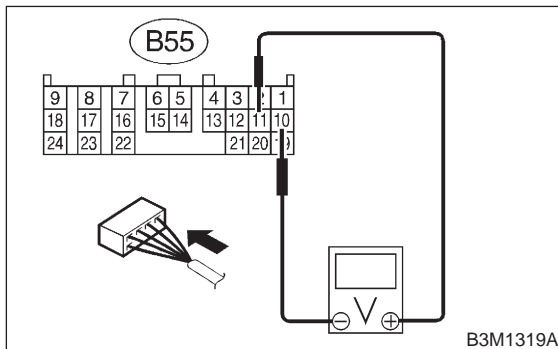
8. Diagnostic Chart with Trouble Code

8E9 : CHECK INPUT SIGNAL FOR TCM.

- 1) Turn ignition switch to ON (engine OFF).
- 2) Measure voltage between TCM connector terminal.

Connector & terminal

(B55) No. 11 (+) — No. 10 (-):



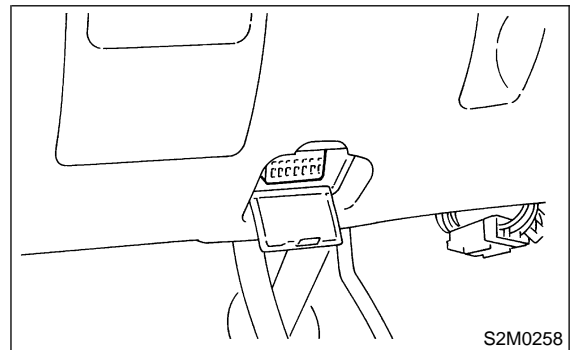
CHECK : *Is the voltage between 1.0 and 1.4 V?*

YES : Even if "AT OIL TEMP" lights up, the circuit has returned to a normal condition at this time. A temporary poor contact of the connector or harness may be the cause. Repair harness or contact in the TCM.

NO : Go to step **8E12**.

8E10 : CHECK INPUT SIGNAL FOR TCM USING SUBARU SELECT MONITOR.

- 1) Turn ignition switch to OFF.
- 2) Connect connectors to TCM and transmission.
- 3) Connect Subaru Select Monitor to data link connector.



- 4) Start the engine, and turn Subaru Select Monitor switch to ON.
- 5) Warm-up the transmission until ATF temperature is above 80°C (176°F).

NOTE:

If ambient temperature is below 0°C (32°F), drive the vehicle until the ATF reaches its operating temperature.

- 6) Read data of ATF temperature using Subaru Select Monitor.

- ATF temperature is indicated in "°F" or "°C".

CHECK : *Is the ATF temperature between 70 and 110°C (158 and 230°F).*

YES : Go to step **8E11**.

NO : Go to step **8E12**.

8E11 : CHECK INPUT SIGNAL FOR TCM USING SUBARU SELECT MONITOR.

Turn ignition switch to ON (engine OFF).

CHECK : *Does the ATF temperature gradually decrease?*

YES : Even if "AT OIL TEMP" light up, the circuit has returned to a normal condition at this time. Temporary poor contact of the connector or harness may be the case. Repair harness or contact in the ATF temperature sensor and transmission connector.

NO : Go to step **8E12**.

8E12 : CHECK POOR CONTACT.

- CHECK** : *Is there poor contact in ATF temperature sensor circuit?*
- YES** : Repair poor contact.
- NO** : Replace TCM. <Ref. to 3-2 [W22A0].>

8E13 : CHECK HARNESS CONNECTOR BETWEEN TRANSMISSION AND ATF TEMPERATURE SENSOR.

- 1) Turn ignition switch to OFF.
- 2) Disconnect connector from transmission.
- 3) Remove transmission connector from bracket.
- 4) Lift-up the vehicle and place safety stand.

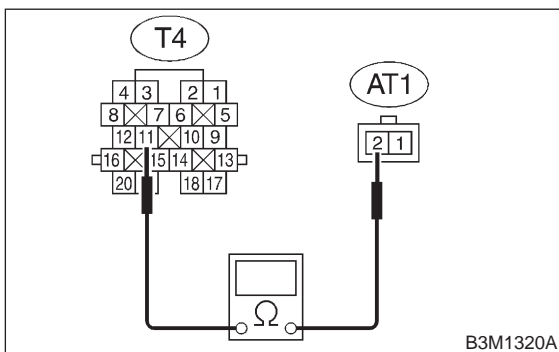
CAUTION:
On AWD models, raise all wheels off ground.

- 5) Drain automatic transmission fluid.

CAUTION:
Do not drain the automatic transmission fluid until it cools down.

- 6) Remove oil pan, and disconnect connector from ATF temperature sensor connector.
- 7) Measure resistance of harness between ATF temperature sensor and transmission connector.

Connector & terminal
(T4) No. 11 — (AT1) No. 2:

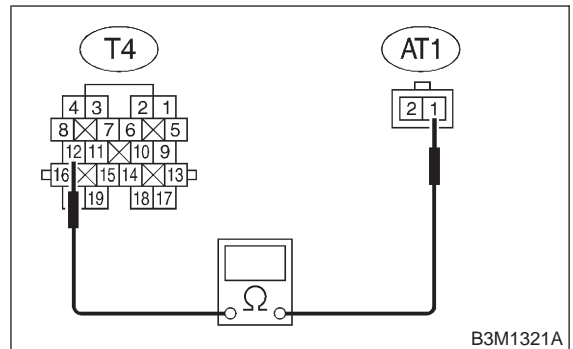


- CHECK** : *Is the resistance less than 1 Ω?*
- YES** : Go to step 8E14.
- NO** : Repair open circuit in harness between ATF temperature sensor and transmission connector.

8E14 : CHECK HARNESS CONNECTOR BETWEEN TRANSMISSION AND ATF TEMPERATURE SENSOR.

Measure resistance of harness between ATF temperature sensor and transmission connector.

Connector & terminal
(T4) No. 12 — (AT1) No. 1:

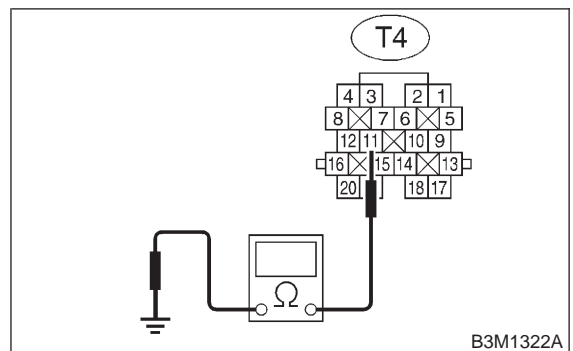


- CHECK** : *Is the resistance less than 1 Ω?*
- YES** : Go to step 8E15.
- NO** : Repair open circuit in harness between ATF temperature sensor and transmission connector.

8E15 : CHECK HARNESS CONNECTOR BETWEEN TRANSMISSION AND ATF TEMPERATURE SENSOR.

Measure resistance of harness between transmission connector and transmission ground.

Connector & terminal
(T4) No. 11 — Transmission ground:



- CHECK** : *Is the resistance more than 1 MΩ?*
- YES** : Go to step 8E16.
- NO** : Repair short circuit in harness between ATF temperature sensor and transmission connector.

3-2 [T8E16] AUTOMATIC TRANSMISSION AND DIFFERENTIAL

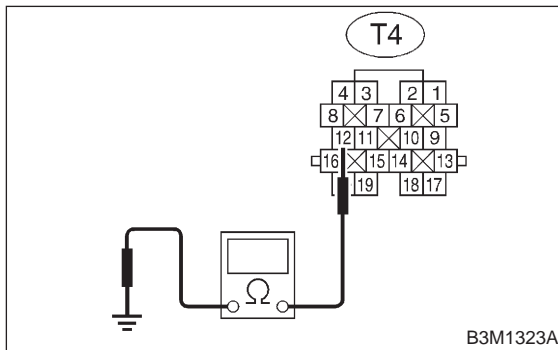
8. Diagnostic Chart with Trouble Code

8E16 : CHECK HARNESS CONNECTOR BETWEEN TRANSMISSION AND ATF TEMPERATURE SENSOR.

Measure resistance of harness between transmission connector and transmission ground.

Connector & terminal

(T4) No. 12 — Transmission ground:



- CHECK** : **Is the resistance more than 1 MΩ?**
- YES** : Replace ATF temperature sensor. <Ref. to 3-2 [W4A0].>
- NO** : Repair short circuit in harness between ATF temperature sensor and transmission connector.

F: TROUBLE CODE 31 — THROTTLE POSITION SENSOR —

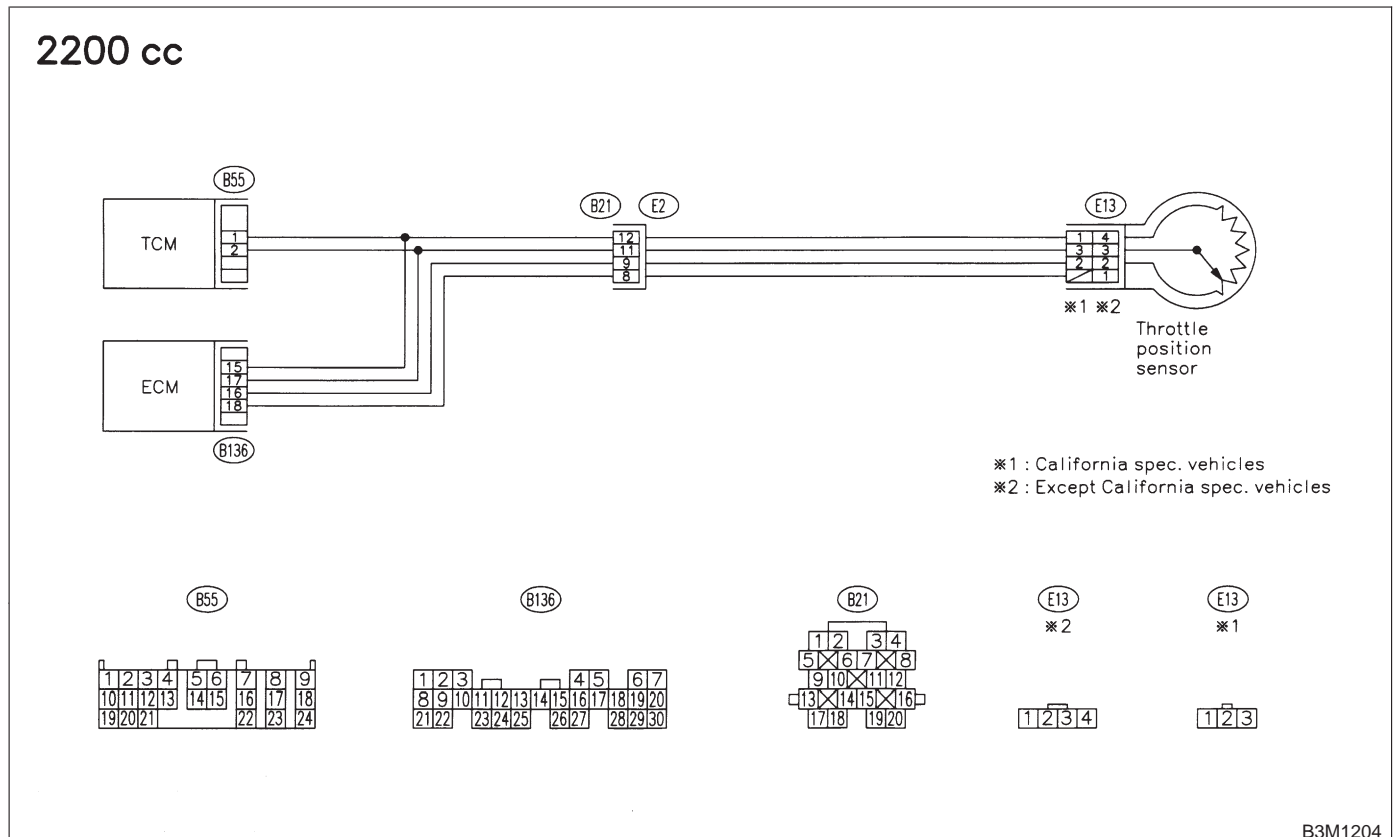
DIAGNOSIS:

Input signal circuit of throttle position sensor is open or shorted.

TROUBLE SYMPTOM:

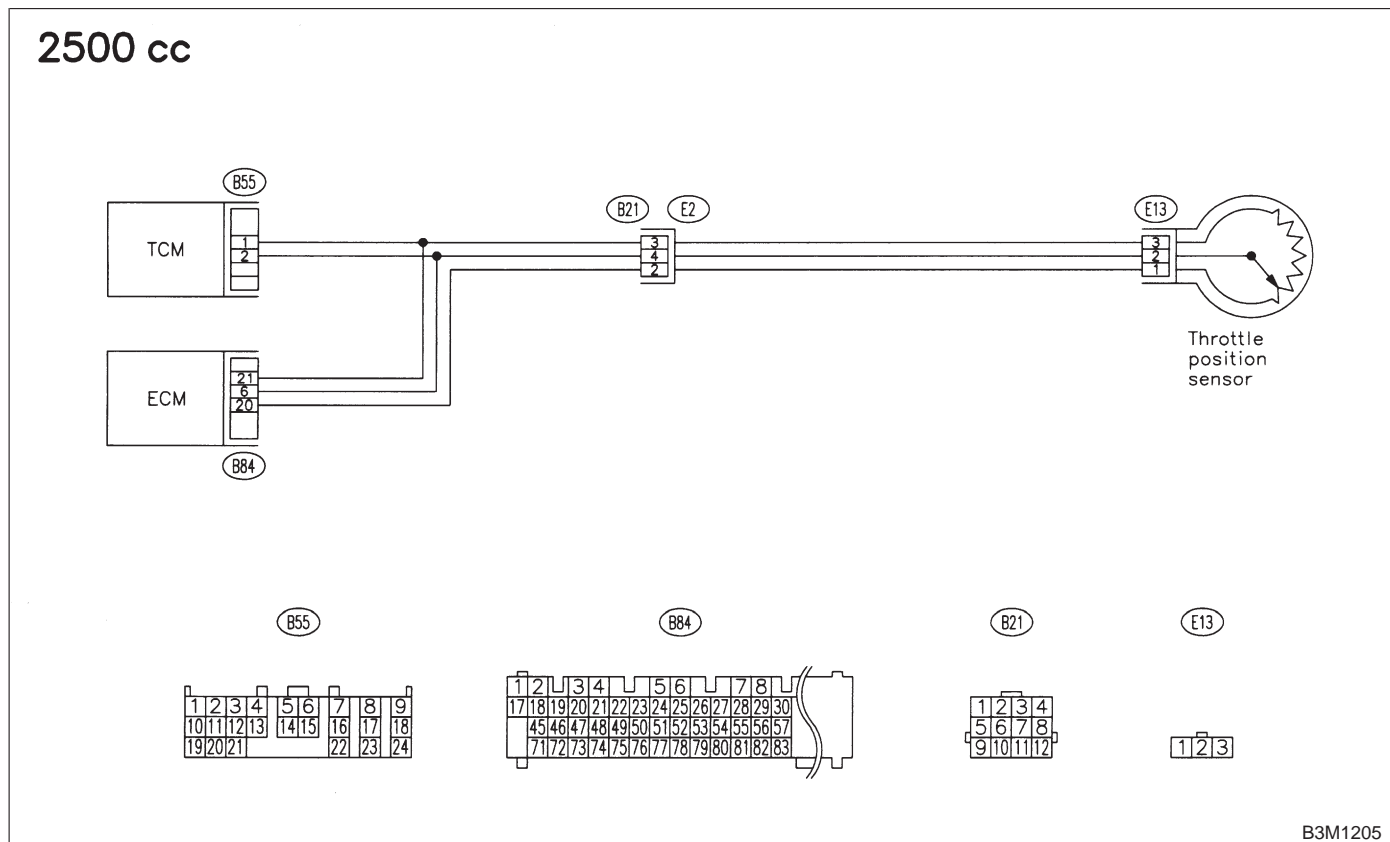
Shift point too high or too low; engine brake not effected in “3” range; excessive shift shock; excessive tight corner “braking”.

WIRING DIAGRAM:



3-2 [T8F1] AUTOMATIC TRANSMISSION AND DIFFERENTIAL

8. Diagnostic Chart with Trouble Code



8F1 : CHECK DISPLACEMENT OF THE VEHICLE.

- CHECK** : *Is the vehicle 2200 cc engine?*
YES : Go to step **8F2**.
NO : Go to step **8F22**.

8F2 : CHECK CALIFORNIA SPEC. VEHICLES.

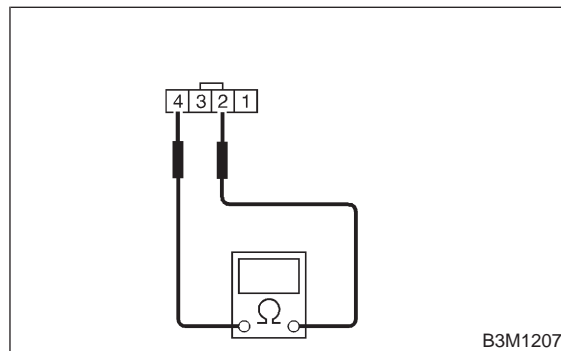
- CHECK** : *Is the vehicle California spec. vehicle?*
YES : Go to step **8F7**.
NO : Go to step **8F3**.

8F3 : CHECK THROTTLE POSITION SENSOR.

- 1) Turn ignition switch to OFF.
- 2) Disconnect connector from throttle position sensor.
- 3) Measure resistance between throttle position sensor connector receptacle's terminals.

Terminals

No. 4 — No. 2:



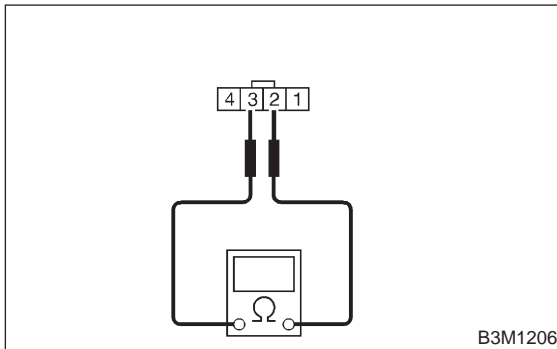
- CHECK** : *Is the resistance between 0.3 and 0.7 kΩ?*
YES : Go to step **8F4**.
NO : Replace throttle position sensor. <Ref. to 2-7 [W9A0].>

8F4 : CHECK THROTTLE POSITION SENSOR.

Measure resistance between throttle position sensor connector receptacle's terminals.

Terminals

No. 2 — No. 3:



CHECK : *Is the resistance between 3.5 and 6.5 kΩ?*

YES : Go to step **8F5**.

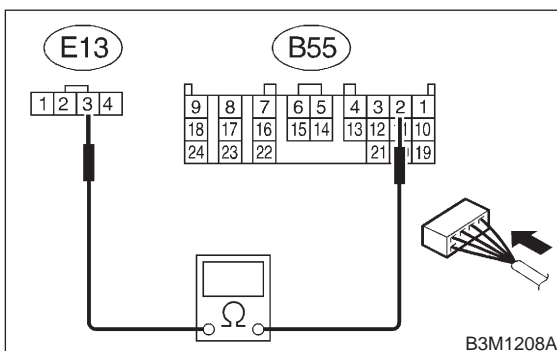
NO : Replace throttle position sensor. <Ref. to 2-7 [W9A0].>

8F5 : CHECK HARNESS CONNECTOR BETWEEN TCM AND THROTTLE POSITION SENSOR.

- 1) Disconnect connector from TCM.
- 2) Measure resistance of harness between TCM and throttle position sensor connector.

Connector & terminal

(B55) No. 2 — (E13) No. 3:



CHECK : *Is the resistance less than 1 Ω?*

YES : Go to step **8F6**.

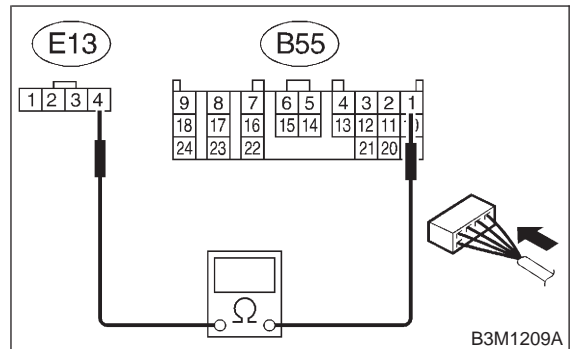
NO : Repair open circuit in harness between TCM and throttle position sensor connector.

8F6 : CHECK HARNESS CONNECTOR BETWEEN TCM AND THROTTLE POSITION SENSOR.

Measure resistance of harness between TCM and throttle position sensor connector.

Connector & terminal

(B55) No. 1 — (E13) No. 4:



CHECK : *Is the resistance less than 1 Ω?*

YES : Go to step **8F11**.

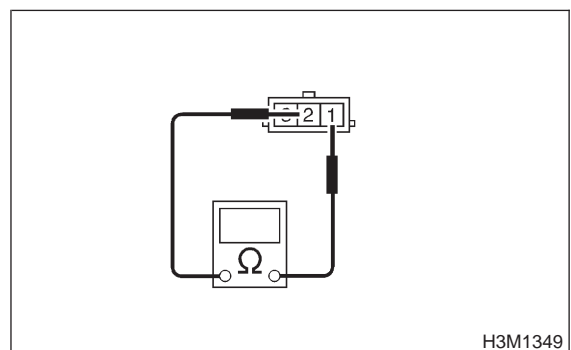
NO : Repair open circuit in harness between TCM and throttle position sensor connector.

8F7 : CHECK THROTTLE POSITION SENSOR.

- 1) Turn ignition switch to OFF.
- 2) Disconnect connector from throttle position sensor.
- 3) Measure resistance between throttle position sensor connector receptacle's terminals.

Terminals

No. 1 — No. 2:



CHECK : *Is the resistance between 0.3 and 0.7 kΩ?*

YES : Go to step **8F8**.

NO : Replace throttle position sensor. <Ref. to 2-7 [W9A0].>

3-2 [T8F8] AUTOMATIC TRANSMISSION AND DIFFERENTIAL

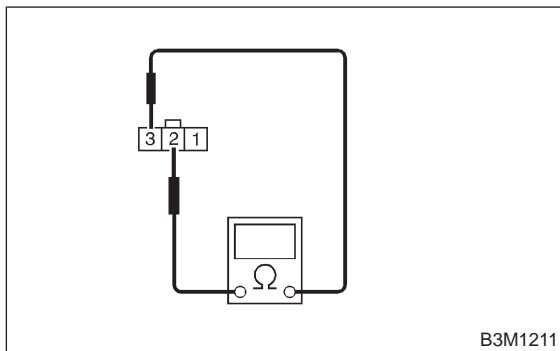
8. Diagnostic Chart with Trouble Code

8F8 : CHECK THROTTLE POSITION SENSOR.

Measure resistance between throttle position sensor connector receptacle's terminals.

Terminals

No. 2 — No. 3:



CHECK : Is the resistance between 3.5 and 6.5 k Ω ?

YES : Go to step 8F9.

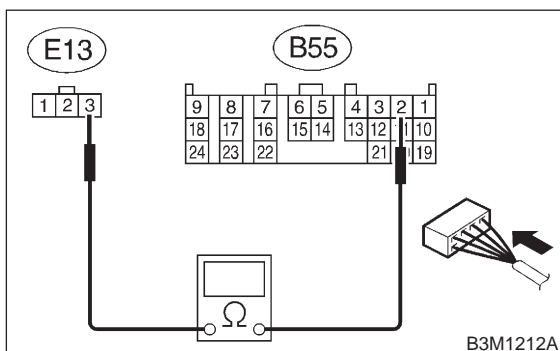
NO : Replace throttle position sensor. <Ref. to 2-7 [W9A0].>

8F9 : CHECK HARNESS CONNECTOR BETWEEN TCM AND THROTTLE POSITION SENSOR.

- 1) Disconnect connector from TCM.
- 2) Measure resistance of harness between TCM and throttle position sensor connector.

Connector & terminal

(B55) No. 2 — (E13) No. 3:



CHECK : Is the resistance less than 1 Ω ?

YES : Go to step 8F10.

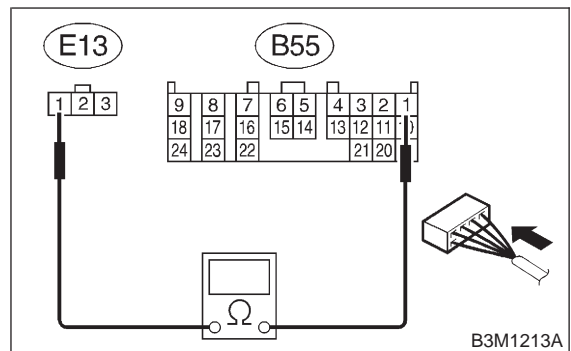
NO : Repair open circuit in harness between TCM and throttle position sensor connector.

8F10 : CHECK HARNESS CONNECTOR BETWEEN TCM AND THROTTLE POSITION SENSOR.

Measure resistance of harness between TCM and throttle position sensor connector.

Connector & terminal

(B55) No. 1 — (E13) No. 1:



CHECK : Is the resistance less than 1 Ω ?

YES : Go to step 8F11.

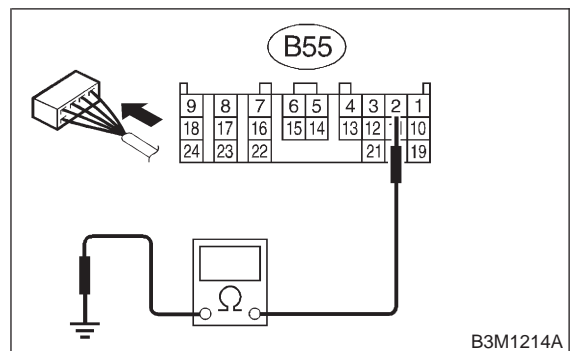
NO : Repair open circuit in harness between TCM and throttle position sensor connector.

8F11 : CHECK HARNESS CONNECTOR BETWEEN TCM AND THROTTLE POSITION SENSOR.

Measure resistance of harness between TCM connector and chassis ground.

Connector & terminal

(B55) No. 2 — Chassis ground:



CHECK : Is the resistance more than 1 M Ω ?

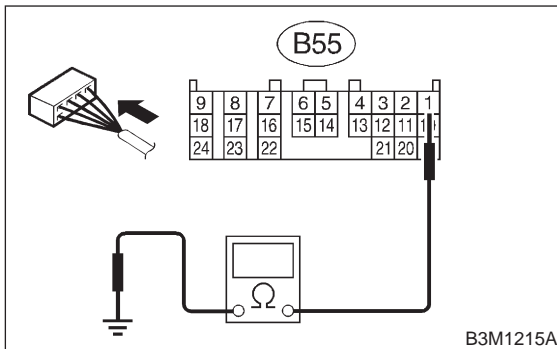
YES : Go to step 8F12.

NO : Repair short circuit in harness between TCM and throttle position sensor connector.

8F12 : CHECK HARNESS CONNECTOR BETWEEN TCM AND THROTTLE POSITION SENSOR.

Measure resistance of harness between TCM connector and chassis ground.

Connector & terminal
(B55) No. 1 — Chassis ground:

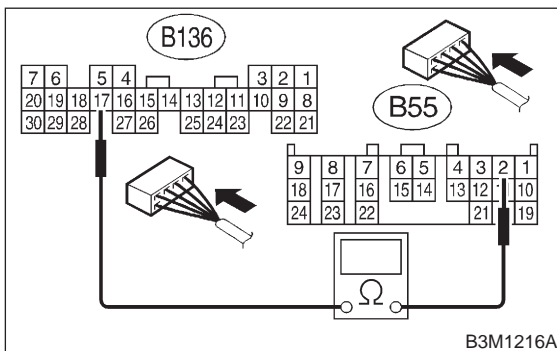


- CHECK** : Is the resistance more than 1 MΩ?
- YES** : Go to step 8F13.
- NO** : Repair short circuit in harness between TCM and throttle position sensor connector.

8F13 : CHECK HARNESS CONNECTOR BETWEEN TCM AND ECM.

- 1) Disconnect connector from ECM.
- 2) Measure resistance of harness between TCM and ECM connector.

Connector & terminal
(B55) No. 2 — (B136) No. 17:

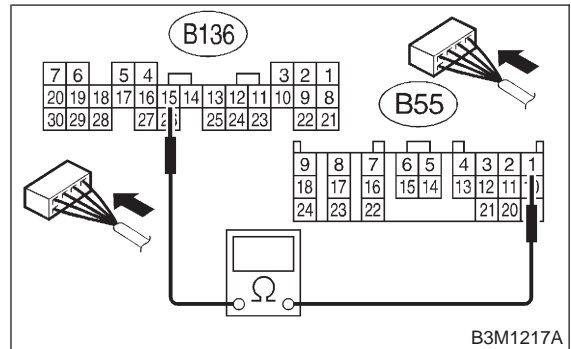


- CHECK** : Is the resistance less than 1 Ω?
- YES** : Go to step 8F14.
- NO** : Repair open circuit in harness between TCM and ECM connector.

8F14 : CHECK HARNESS CONNECTOR BETWEEN TCM AND ECM.

Measure resistance of harness between TCM and ECM connector.

Connector & terminal
(B55) No. 1 — (B136) No. 15:



- CHECK** : Is the resistance less than 1 Ω?
- YES** : Go to step 8F15.
- NO** : Repair open circuit in harness between TCM and ECM connector.

8F15 : PREPARE SUBARU SELECT MONITOR.

- CHECK** : Do you have a Subaru Select Monitor?
- YES** : Go to step 8F18.
- NO** : Go to step 8F16.

3-2 [T8F16] AUTOMATIC TRANSMISSION AND DIFFERENTIAL

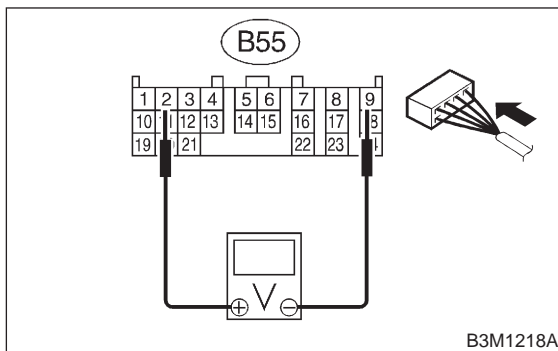
8. Diagnostic Chart with Trouble Code

8F16 : CHECK INPUT SIGNAL FOR TCM.

- 1) Connect connectors to TCM, throttle position sensor and ECM.
- 2) Turn ignition switch to ON (engine OFF).
- 3) Measure voltage between TCM connector terminals.

Connector & terminal

(B55) No. 2 (+) — No. 9 (-):



CHECK : Is the voltage between 0.3 and 0.7 V in throttle fully closed?

YES : Go to step 8F17.

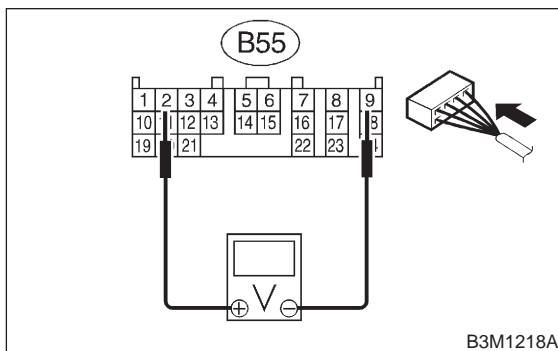
NO : Go to step 8F37.

8F17 : CHECK INPUT SIGNAL FOR TCM.

Measure voltage between TCM connector terminals.

Connector & terminal

(B55) No. 2 (+) — No. 9 (-):



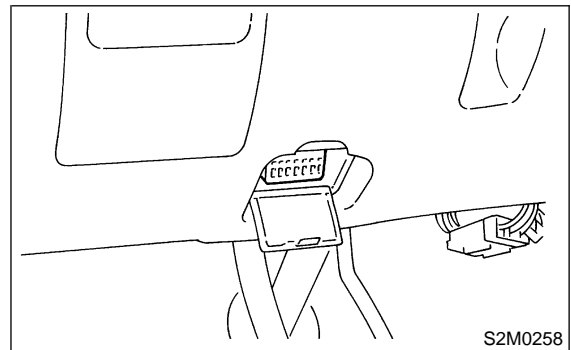
CHECK : Is the voltage between 4.3 and 4.9 V with throttle fully open?

YES : Go to step 8F20.

NO : Go to step 8F37.

8F18 : CHECK INPUT SIGNAL FOR TCM USING SUBARU SELECT MONITOR.

- 1) Connect connectors to TCM, throttle position sensor and ECM.
- 2) Connect Subaru Select Monitor to data link connector.



- 3) Turn ignition switch to ON (engine OFF).
- 4) Turn Subaru Select Monitor switch to ON.
- 5) Throttle fully closed.
- 6) Read data of throttle position sensor using Subaru Select Monitor.

• Throttle position sensor input signal is indicated.

CHECK : Is the value voltage between 0.3 and 0.7 V?

YES : Go to step 8F19.

NO : Go to step 8F37.

8F19 : CHECK INPUT SIGNAL FOR TCM USING SUBARU SELECT MONITOR.

Throttle fully open.

NOTE:

Must be changed correspondingly with accelerator pedal operation (from "released" to "depressed" position).

CHECK : Is the value voltage between 4.3 and 4.9 V?

YES : Go to step 8F21.

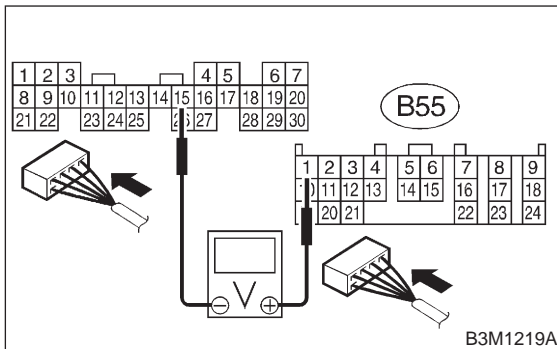
NO : Go to step 8F37.

8F20 : CHECK INPUT SIGNAL FOR TCM (THROTTLE POSITION SENSOR POWER SUPPLY).

Measure voltage between TCM connector terminals.

Connector & terminal

(B55) No. 1 (+) — (B136) No. 15 (-):



CHECK : **Is the voltage between 5.02 and 5.22 V?**

YES : Even if "AT OIL TEMP" lights up, the circuit has returned to a normal condition at this time. A temporary poor contact of the connector or harness may be the cause. Repair harness or connector in throttle position sensor circuit.

NO : Go to step **8F37**.

8F21 : CHECK INPUT SIGNAL FOR TCM USING SUBARU SELECT MONITOR (THROTTLE POSITION SENSOR POWER SUPPLY).

Read data of throttle position sensor power supply using Subaru Select Monitor.

● Throttle position sensor power supply voltage is indicated.

CHECK : **Is the value voltage between 5.02 and 5.22 V?**

YES : Even if "AT OIL TEMP" lights up, the circuit has returned to a normal condition at this time. A temporary poor contact of the connector or harness may be the cause. Repair harness or connector in throttle position sensor circuit.

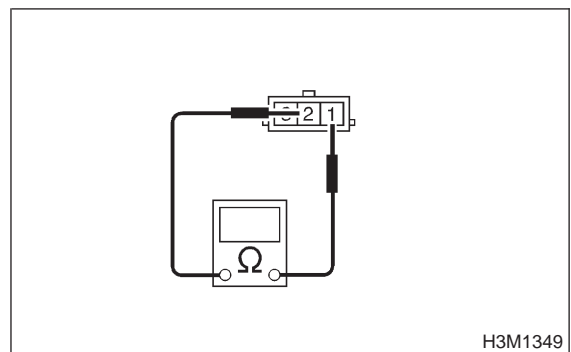
NO : Go to step **8F37**.

8F22 : CHECK THROTTLE POSITION SENSOR.

- 1) Turn ignition switch to OFF.
- 2) Disconnect connector from throttle position sensor.
- 3) Measure resistance between throttle position sensor connector receptacle's terminals.

Terminals

No. 1 — No. 2:



CHECK : **Is the resistance between 0.3 and 0.7 kΩ?**

YES : Go to step **8F23**.

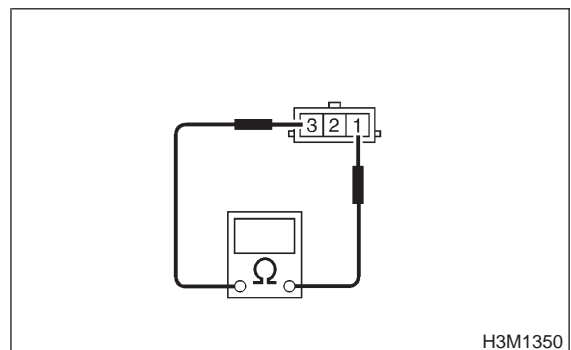
NO : Replace throttle position sensor. <Ref. to 2-7 [W9A0].>

8F23 : CHECK THROTTLE POSITION SENSOR.

Measure resistance between throttle position sensor connector receptacle's terminals.

Terminals

No. 1 — No. 3:



CHECK : **Is the resistance between 3.5 and 6.5 kΩ?**

YES : Go to step **8F24**.

NO : Replace throttle position sensor. <Ref. to 2-7 [W9A0].>

3-2 [T8F24] AUTOMATIC TRANSMISSION AND DIFFERENTIAL

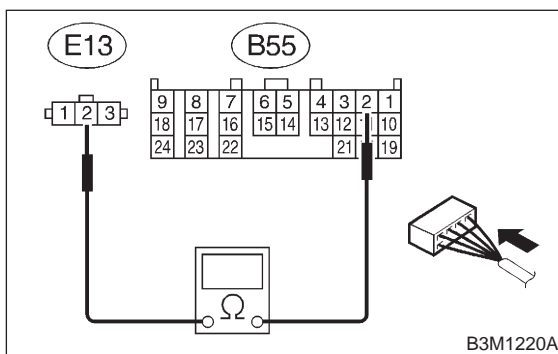
8. Diagnostic Chart with Trouble Code

8F24 : CHECK HARNESS CONNECTOR BETWEEN TCM AND THROTTLE POSITION SENSOR.

- 1) Disconnect connector from TCM.
- 2) Measure resistance of harness between TCM and throttle position sensor connector.

Connector & terminal

(B55) No. 2 — (E13) No. 2:



CHECK : Is the resistance less than 1 Ω?

YES : Go to step 8F25.

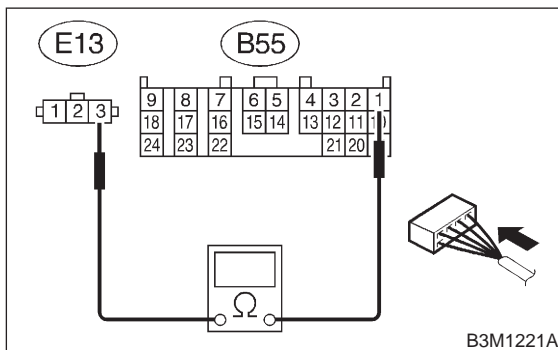
NO : Repair open circuit in harness between TCM and throttle position sensor connector.

8F25 : CHECK HARNESS CONNECTOR BETWEEN TCM AND THROTTLE POSITION SENSOR.

Measure resistance of harness between TCM and throttle position sensor connector.

Connector & terminal

(B55) No. 1 — (E13) No. 3:



CHECK : Is the resistance less than 1 Ω?

YES : Go to step 8F26.

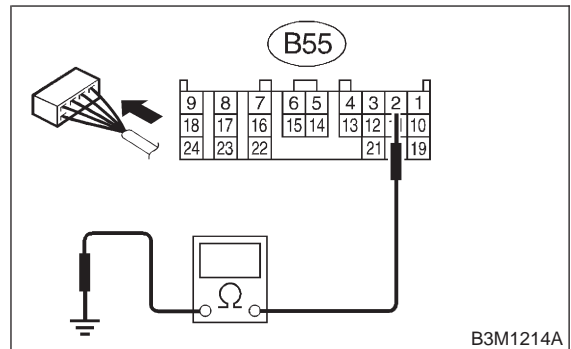
NO : Repair open circuit in harness between TCM and throttle position sensor connector.

8F26 : CHECK HARNESS CONNECTOR BETWEEN TCM AND THROTTLE POSITION SENSOR.

Measure resistance of harness between TCM connector and chassis ground.

Connector & terminal

(B55) No. 2 — Chassis ground:



CHECK : Is the resistance more than 1 MΩ?

YES : Go to step 8F27.

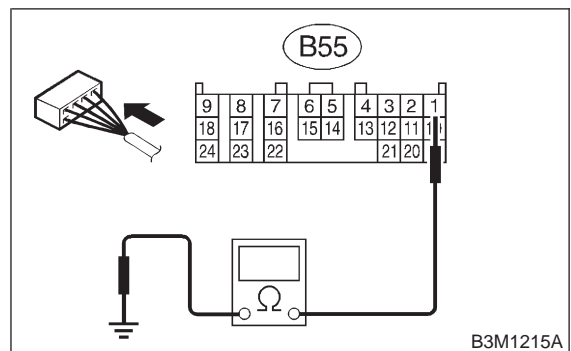
NO : Repair short circuit in harness between TCM and throttle position sensor connector.

8F27 : CHECK HARNESS CONNECTOR BETWEEN TCM AND THROTTLE POSITION SENSOR.

Measure resistance of harness between TCM connector and chassis ground.

Connector & terminal

(B55) No. 1 — Chassis ground:



CHECK : Is the resistance more than 1 MΩ?

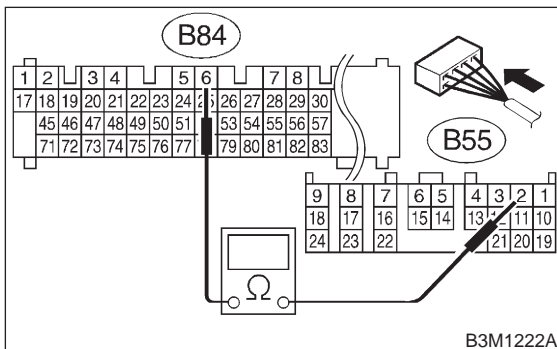
YES : Go to step 8F28.

NO : Repair short circuit in harness between TCM and throttle position sensor connector.

8F28 : CHECK HARNESS CONNECTOR BETWEEN TCM AND ECM.

- 1) Disconnect connector from ECM.
- 2) Measure resistance of harness between TCM and ECM connector.

Connector & terminal
(B55) No. 2 — (B84) No. 6:

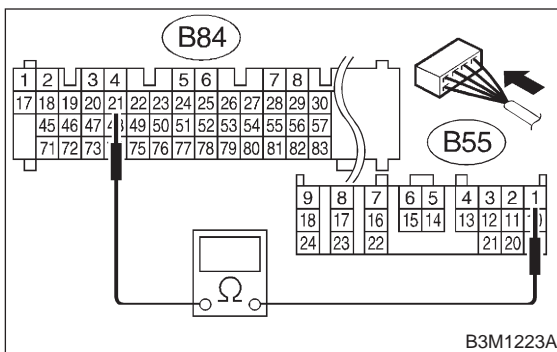


- CHECK** : Is the resistance less than 1 Ω?
- YES** : Go to step 8F29.
- NO** : Repair open circuit in harness between TCM and ECM connector.

8F29 : CHECK HARNESS CONNECTOR BETWEEN TCM AND ECM.

Measure resistance of harness between TCM and ECM connector.

Connector & terminal
(B55) No. 1 — (B84) No. 21:



- CHECK** : Is the resistance less than 1 Ω?
- YES** : Go to step 8F30.
- NO** : Repair open circuit in harness between TCM and ECM connector.

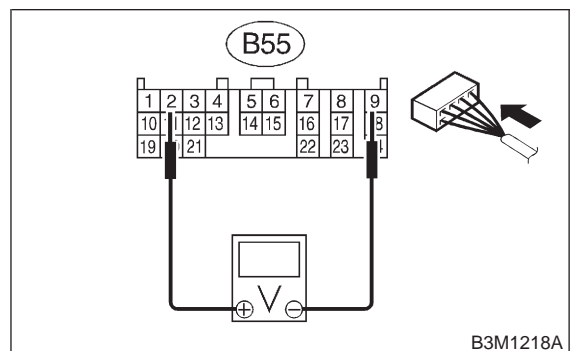
8F30 : PREPARE SUBARU SELECT MONITOR.

- CHECK** : Do you have a Subaru Select Monitor?
- YES** : Go to step 8F33.
- NO** : Go to step 8F31.

8F31 : CHECK INPUT SIGNAL FOR TCM.

- 1) Connect connectors to TCM, throttle position sensor and ECM.
- 2) Turn ignition switch to ON (engine OFF).
- 3) Measure voltage between TCM connector terminals.

Connector & terminal
(B55) No. 2 (+) — No. 9 (-):



- CHECK** : Is the voltage between 0.3 and 0.7 V in throttle fully closed?
- YES** : Go to step 8F32.
- NO** : Go to step 8F37.

3-2 [T8F32] AUTOMATIC TRANSMISSION AND DIFFERENTIAL

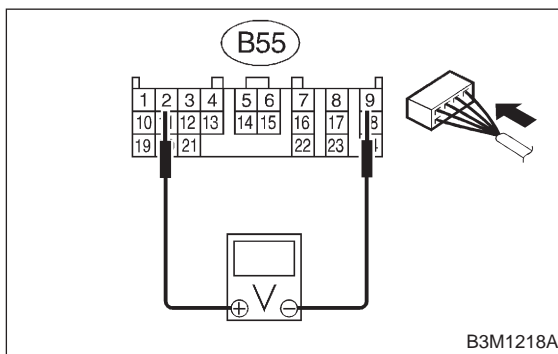
8. Diagnostic Chart with Trouble Code

8F32 : CHECK INPUT SIGNAL FOR TCM.

Measure voltage between TCM connector terminals.

Connector & terminal

(B55) No. 2 (+) — No. 9 (-):



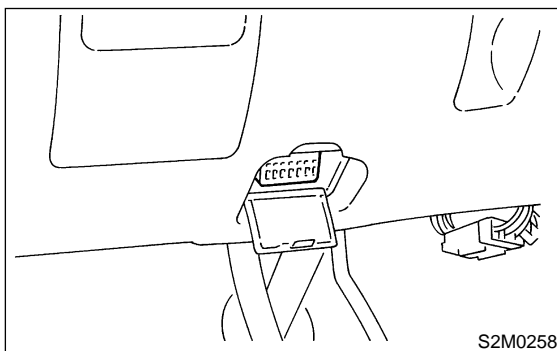
CHECK : Is the voltage between 4.3 and 4.9 V with throttle fully open?

YES : Go to step 8F35.

NO : Go to step 8F37.

8F33 : CHECK INPUT SIGNAL FOR TCM USING SUBARU SELECT MONITOR.

- 1) Connect connectors to TCM, throttle position sensor and ECM.
- 2) Connect Subaru Select Monitor to data link connector.



- 3) Turn ignition switch to ON (engine OFF).
 - 4) Turn Subaru Select Monitor switch to ON.
 - 5) Throttle fully closed.
 - 6) Read data of throttle position sensor using Subaru Select Monitor.
- Throttle position sensor input signal is indicated.

CHECK : Is the value voltage between 0.3 and 0.7 V?

YES : Go to step 8F34.

NO : Go to step 8F37.

8F34 : CHECK INPUT SIGNAL FOR TCM USING SUBARU SELECT MONITOR.

Throttle fully open.

NOTE:

Must be changed correspondingly with accelerator pedal operation (from "released" to "depressed" position).

CHECK : Is the value voltage between 4.3 and 4.9 V?

YES : Go to step 8F37.

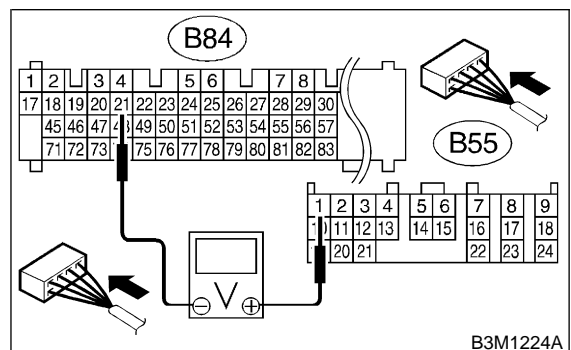
NO : Go to step 8F36.

8F35 : CHECK INPUT SIGNAL FOR TCM (THROTTLE POSITION SENSOR POWER SUPPLY).

Measure voltage between TCM connector terminals.

Connector & terminal

(B55) No. 1 (+) — (B84) No. 21 (-):



CHECK : Is the voltage between 5.02 and 5.22 V?

YES : Even if "AT OIL TEMP" lights up, the circuit has returned to a normal condition at this time. A temporary poor contact of the connector or harness may be the cause. Repair harness or connector in throttle position sensor circuit.

NO : Go to step 8F37.

8F36 : CHECK INPUT SIGNAL FOR TCM USING SUBARU SELECT MONITOR (THROTTLE POSITION SENSOR POWER SUPPLY).

Read data of throttle position sensor power supply using Subaru Select Monitor.

- Throttle position sensor power supply voltage is indicated.

CHECK : *Is the value voltage between 5.02 and 5.22 V?*

YES : Even if "AT OIL TEMP" lights up, the circuit has returned to a normal condition at this time. A temporary poor contact of the connector or harness may be the cause. Repair harness or connector in throttle position sensor circuit.

NO : Go to step **8F37**.

8F37 : CHECK POOR CONTACT.

CHECK : *Is there poor contact in throttle position sensor circuit?*

YES : Repair poor contact.

NO : Replace TCM. <Ref. to 3-2 [W22A0].>

3-2 [T8F37] AUTOMATIC TRANSMISSION AND DIFFERENTIAL
8. Diagnostic Chart with Trouble Code

MEMO:

G: TROUBLE CODE 33 — VEHICLE SPEED SENSOR 2 (FRONT) —

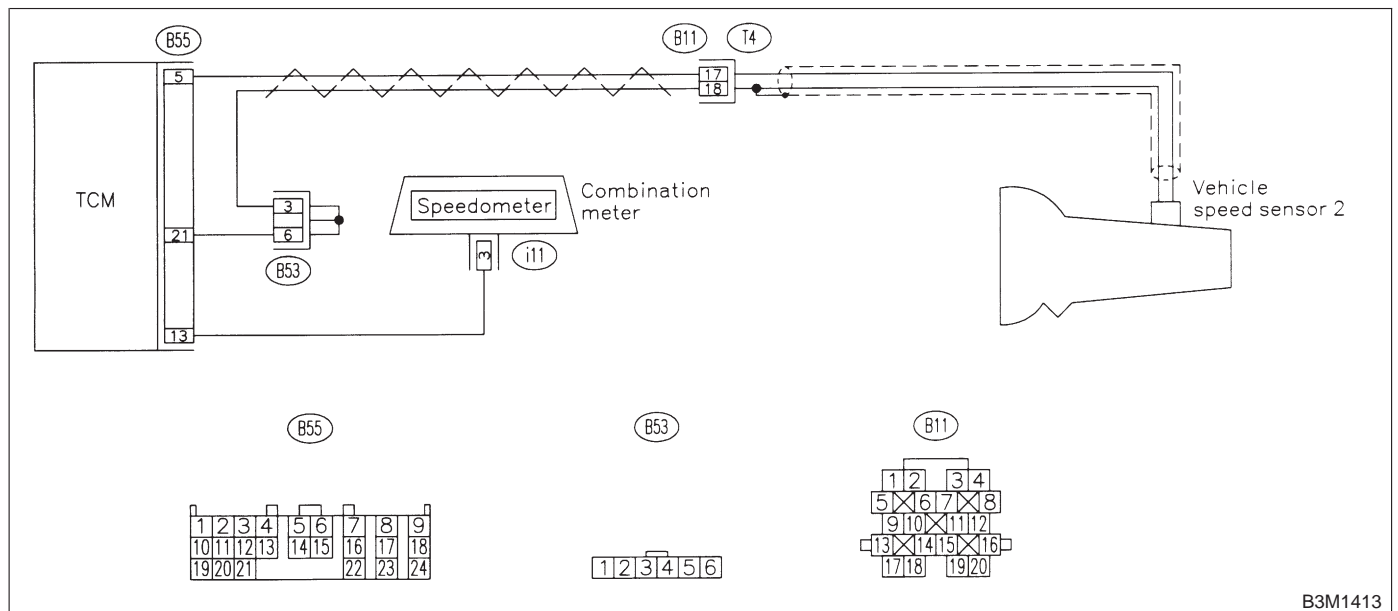
DIAGNOSIS:

- The vehicle speed signal is abnormal.
- The circuit in combination meter is faulty.
- The harness connector between TCM and vehicle speed sensor is in short or open.

TROUBLE SYMPTOM:

- Erroneous idling.
- Engine stalls.
- Poor driving performance.

WIRING DIAGRAM:



B3M1413

8G1 : CHECK OPERATION OF SPEEDOMETER.

CHECK : *Does speedometer operate normally?*

YES : Even if "AT OIL TEMP" lights up, the circuit has returned to a normal condition at this time. A temporary poor contact of the connector or harness may be the cause. Repair harness or connector in the TCM and transmission.

NO : Go to step **8G2**.

3-2 [T8G2] AUTOMATIC TRANSMISSION AND DIFFERENTIAL

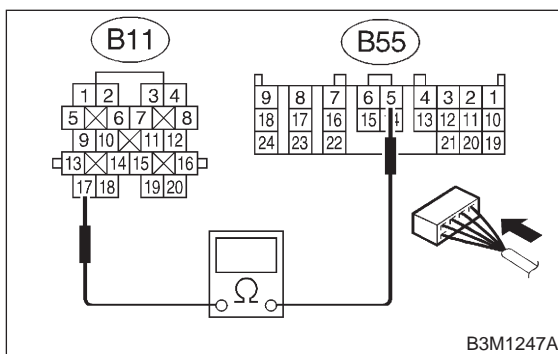
8. Diagnostic Chart with Trouble Code

8G2 : CHECK HARNESS CONNECTOR BETWEEN TCM AND TRANSMISSION.

- 1) Disconnect connector from TCM.
- 2) Measure resistance of harness between TCM and transmission connector.

Connector & terminal

(B55) No. 5 — (B11) No. 17:



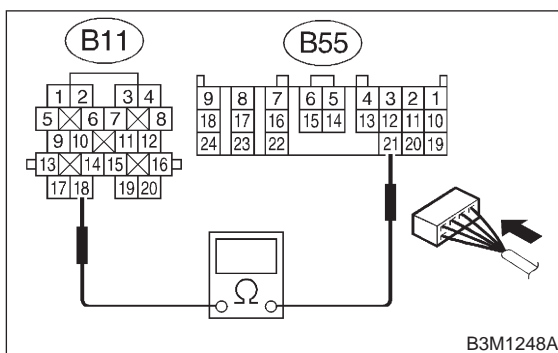
- CHECK** : Is the resistance less than 1 Ω?
- YES** : Go to step 8G3.
- NO** : Repair open circuit in harness between TCM and transmission connector.

8G3 : CHECK HARNESS CONNECTOR BETWEEN TCM AND TRANSMISSION.

Measure resistance of harness between TCM and transmission connector.

Connector & terminal

(B55) No. 21 — (B11) No. 18:



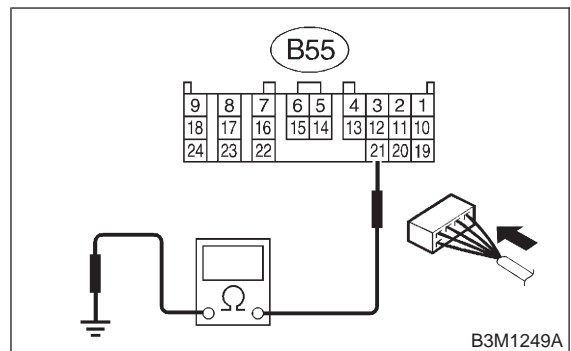
- CHECK** : Is the resistance less than 1 Ω?
- YES** : Go to step 8G4.
- NO** : Repair open circuit in harness between TCM and transmission connector, and poor contact in coupling connector.

8G4 : CHECK HARNESS CONNECTOR BETWEEN TCM AND TRANSMISSION.

Measure resistance of harness between TCM and transmission connector.

Connector & terminal

(B55) No. 21 — Chassis ground:



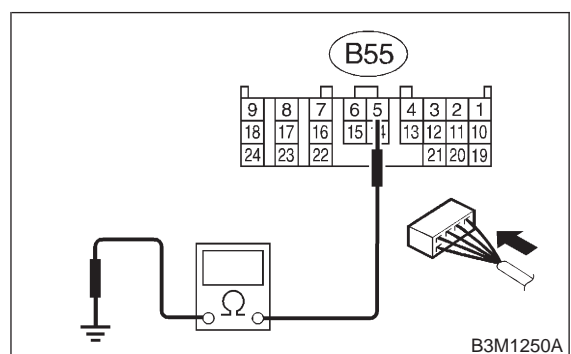
- CHECK** : Is the resistance more than 1 MΩ?
- YES** : Go to step 8G5.
- NO** : Repair short circuit in harness between TCM and transmission connector.

8G5 : CHECK HARNESS CONNECTOR BETWEEN TCM AND TRANSMISSION.

Measure resistance of harness between TCM and transmission connector.

Connector & terminal

(B55) No. 5 — Chassis ground:

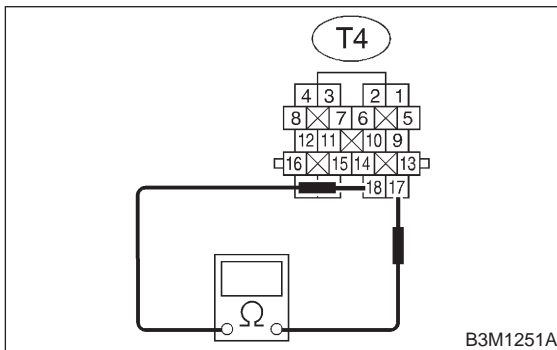


- CHECK** : Is the resistance more than 1 MΩ?
- YES** : Go to step 8G6.
- NO** : Repair short circuit in harness between TCM and transmission connector.

8G6 : CHECK VEHICLE SPEED SENSOR 2.

- 1) Turn ignition switch to OFF.
- 2) Disconnect connector from transmission.
- 3) Measure resistance between transmission connector receptacle's terminals.

Connector & terminal
(T4) No. 17 — No. 18:



- CHECK** : *Is the resistance between 450 and 650 Ω?*
- YES** : Go to step **8G7**.
- NO** : Replace transmission harness connector. <Ref. to 3-2 [W11B0].>

8G7 : PREPARE OSCILLOSCOPE.

- CHECK** : *Do you have oscilloscope?*
- YES** : Go to step **8G10**.
- NO** : Go to step **8G8**.

8G8 : PREPARE SUBARU SELECT MONITOR.

- CHECK** : *Do you have a Subaru Select Monitor?*
- YES** : Go to step **8G11**.
- NO** : Go to step **8G9**.

8G9 : CHECK INPUT SIGNAL FOR TCM.

- 1) Connect all connectors.
- 2) Lift-up or raise the vehicle and place safety stands.

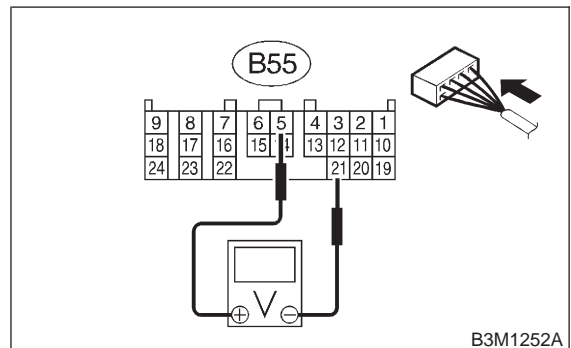
CAUTION:
On AWD models, raise all wheels off floor.

- 3) Start the engine and set vehicle in 20 km/h (12 MPH) condition.

NOTE:
The speed difference between front and rear wheels may light the ABS warning light, but this indicates no malfunction. When AT control diagnosis is finished, perform the ABS memory clearance procedure of on-board diagnostics system. <Ref. to 4-4 [T6D2].>

- 4) Measure voltage between TCM connector terminals.

Connector & terminal
(B55) No. 5 (+) — No. 21 (-):



- CHECK** : *Is the voltage more than AC 1 V?*
- YES** : Go to step **8G12**.
- NO** : Go to step **8G19**.

3-2 [T8G10] AUTOMATIC TRANSMISSION AND DIFFERENTIAL

8. Diagnostic Chart with Trouble Code

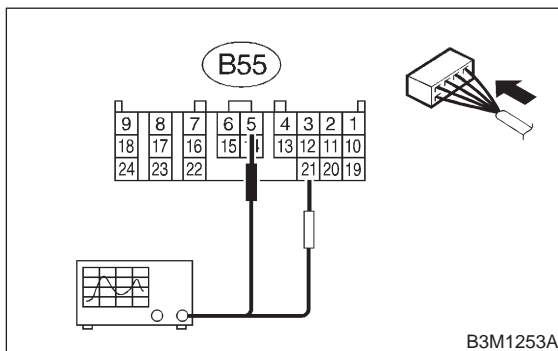
8G10 : CHECK VEHICLE SPEED SENSOR 2 USING OSCILLOSCOPE.

- 1) Connect all connectors.
- 2) Lift-up the vehicle and place safety stand.

CAUTION:

On AWD models, raise all wheels off ground.

- 3) Set oscilloscope to TCM connector terminals. Positive probe; (B55) No. 5
Earth lead; (B55) No. 21

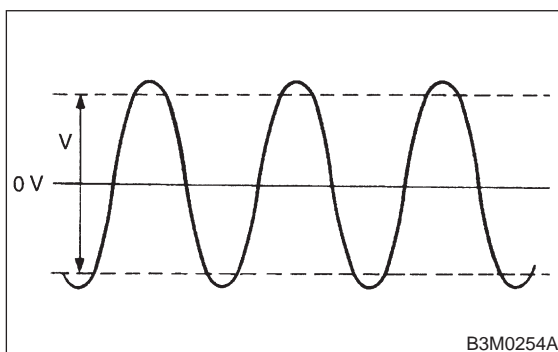


- 4) Start the engine, and drive the wheels slowly.

NOTE:

The speed difference between front and rear wheels may light the ABS warning light, but this indicates no malfunctions. When AT control diagnosis is finished, perform the ABS memory clearance procedure of self-diagnosis system. <Ref. to 4-4 [T6D2].>

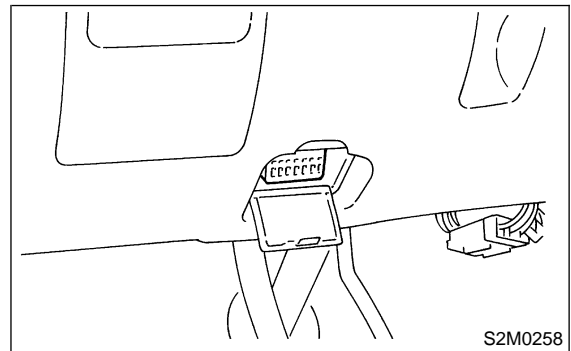
- 5) Measure signal voltage indicated on oscilloscope.



- CHECK** : Is the voltage more than AC 4 V?
YES : Go to step 8G12.
NO : Go to step 8G19.

8G11 : CHECK INPUT SIGNAL FOR TCM USING SUBARU SELECT MONITOR.

- 1) Connect all connectors.
- 2) Connect Subaru Select Monitor to data link connector.



- 3) Lift-up or raise the vehicle and place safety stands.

CAUTION:

On AWD models, raise all wheels off floor.

- 4) Turn ignition switch to ON and turn Subaru Select Monitor switch to ON.
- 5) Start the engine.
- 6) Read data of vehicle speed using Subaru Select Monitor.
 - Compare speedometer with Subaru Select Monitor indications.
 - Vehicle speed is indicated in "km/h" or "MPH".
- 7) Slowly increase vehicle speed to 60 km/h or 37 MPH.

NOTE:

The speed difference between front and rear wheels may light the ABS warning light, but this indicates no malfunction. When AT control diagnosis is finished, perform the ABS memory clearance procedure of on-board diagnostics system. <Ref. to 4-4 [T6D2].>

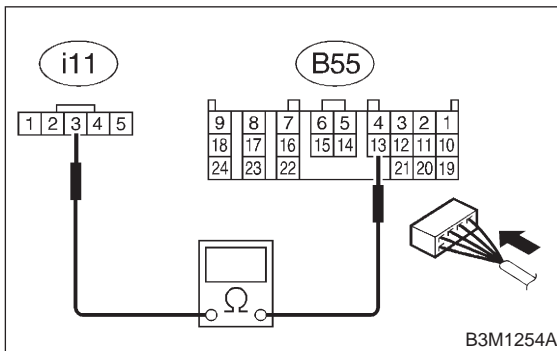
- CHECK** : Does the speedometer indication increase as the Subaru Select Monitor data increases?
YES : Go to step 8G12.
NO : Go to step 8G19.

8G12 : CHECK HARNESS CONNECTOR BETWEEN TCM AND COMBINATION METER.

- 1) Turn ignition switch to OFF.
- 2) Disconnect connectors from TCM and combination meter.
- 3) Measure resistance of harness between TCM and combination meter connector.

Connector & terminal

(B55) No. 13 — (i11) No. 3:



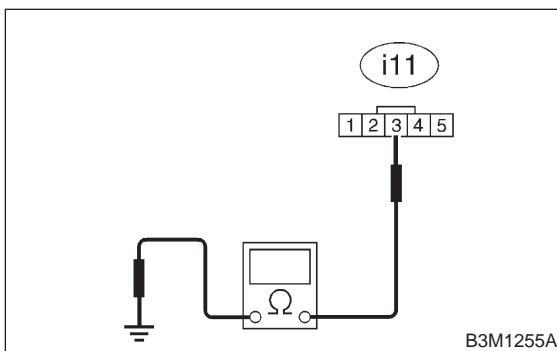
- CHECK** : **Is the resistance less than 1 Ω?**
- YES** : Go to step **8G13**.
- NO** : Repair open circuit in harness between TCM and combination meter connector, and poor contact in coupling connector.

8G13 : CHECK HARNESS CONNECTOR BETWEEN TCM AND COMBINATION METER.

Measure resistance of harness between combination meter and chassis ground.

Connector & terminal

(i11) No. 3 — Chassis ground:



- CHECK** : **Is the resistance more than 1 MΩ?**
- YES** : Go to step **8G14**.
- NO** : Repair short circuit in harness between TCM and combination meter connector.

8G14 : PREPARE OSCILLOSCOPE.

- CHECK** : **Do you have oscilloscope?**
- YES** : Go to step **8G17**.
- NO** : Go to step **8G15**.

8G15 : PREPARE SUBARU SELECT MONITOR.

- CHECK** : **Do you have a Subaru Select Monitor?**
- YES** : Go to step **8G18**.
- NO** : Go to step **8G16**.

3-2 [T8G16] AUTOMATIC TRANSMISSION AND DIFFERENTIAL

8. Diagnostic Chart with Trouble Code

8G16 : CHECK OUTPUT SIGNAL FOR TCM.

- 1) Connect all connectors.
- 2) Lift-up the vehicle and place safety stand.

CAUTION:

On AWD models, raise all wheels off ground.

- 3) Set vehicle in 10 km/h (6 MPH) condition.

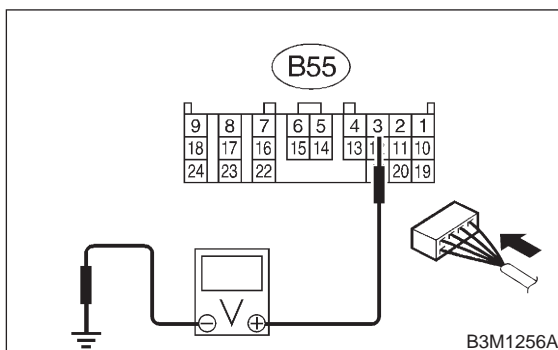
NOTE:

The speed difference between front and rear wheels may light ABS warning light, but this indicates no malfunction. When AT control diagnosis is finished, perform the ABS memory clearance procedure on on-board diagnostics system. <Ref. to 4-4 [T6D2].>

- 4) Measure voltage between TCM connector terminals.

Connector & terminal

(B55) No. 3 — Chassis ground:



CHECK : **Is the voltage less than 1 V ←→ more than 4 V?**

YES : Even if "AT OIL TEMP" lights up, the circuit has returned to a normal condition at this time. A temporary poor contact of the connector or harness may be the cause. Repair harness or connector in the TCM.

NO : Go to step **8G19**.

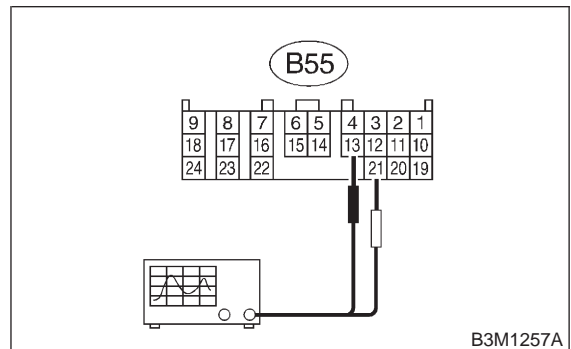
8G17 : CHECK INPUT SIGNAL FOR TCM USING OSCILLOSCOPE.

- 1) Connect connectors to TCM and combination meter.
- 2) Lift-up or raise the vehicle and place safety stands.

CAUTION:

On AWD models, raise all wheels off floor.

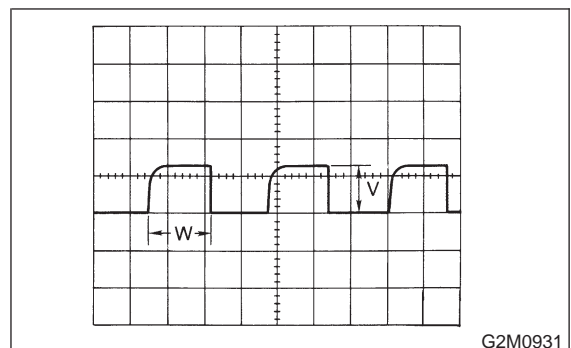
- 3) Set oscilloscope to TCM connector terminals. Positive probe; (B55) No. 13
Earth lead; (B55) No. 21



- 4) Start the engine.
- 5) Shift on the gear position, and keep the vehicle speed at constant.
- 6) Measure signal voltage indicated on oscilloscope.

NOTE:

- If vehicle speed increases, the width of amplitude (W) decreases.
- The speed difference between front and rear wheels may light the ABS warning light, but this indicates no malfunction. When AT control diagnosis is finished, perform the ABS memory clearance procedure of on-board diagnostics system. <Ref. to 4-4 [T6D2].>



CHECK : **Is the voltage more than AC 2 V?**

YES : Even if "AT OIL TEMP" lights up, the circuit has returned to a normal condition at this time. A temporary poor contact of the connector or harness may be the cause. Repair harness or connector in the TCM.

NO : Go to step **8G19**.

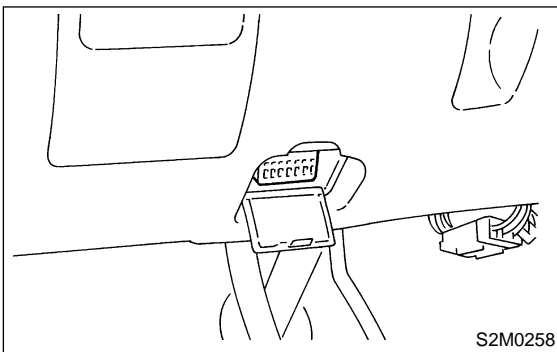
8G18 : CHECK INPUT SIGNAL FOR TCM USING SUBARU SELECT MONITOR.

- 1) Connect all connectors.
- 2) Lift-up the vehicle and place safety stand.

CAUTION:

On AWD models, raise all wheels off ground.

- 3) Connect Subaru Select Monitor to data link connector.



- 4) Turn ignition switch to ON and Subaru Select Monitor switch to ON.
- 5) Start the engine, and drive all wheels.
- 6) Read data of vehicle speed using Subaru Select Monitor.
 - Compare speedometer with Subaru Select Monitor indications.
 - Vehicle speed is indicated in “km/h” or “MPH”.
- 7) Slowly increase vehicle speed to 60 km/h or 37 MPH.

NOTE:

The speed difference between front and rear wheels may light the ABS warning light, but this indicates no malfunction. When AT control diagnosis is finished, perform the ABS memory clearance procedure of on-board diagnostics system. <Ref. to 4-4 [T6D2].>

CHECK : **Does the speedometer indication increase as the Subaru Select Monitor data increases?**

YES : Even if “AT OIL TEMP” lights up, the circuit has returned to a normal condition at this time. A temporary poor contact of the connector or harness may be the cause. Repair harness or connector in the TCM.

NO : Go to step **8G19**.

8G19 : CHECK POOR CONTACT.

CHECK : **Is there poor contact in vehicle speed sensor 2 circuit?**

YES : Repair poor contact.

NO : Replace TCM. <Ref. to 3-2 [W22A0].>

3-2 [T8G19] AUTOMATIC TRANSMISSION AND DIFFERENTIAL
8. Diagnostic Chart with Trouble Code

MEMO:

H: TROUBLE CODE 36 — TORQUE CONVERTER TURBINE SPEED SENSOR

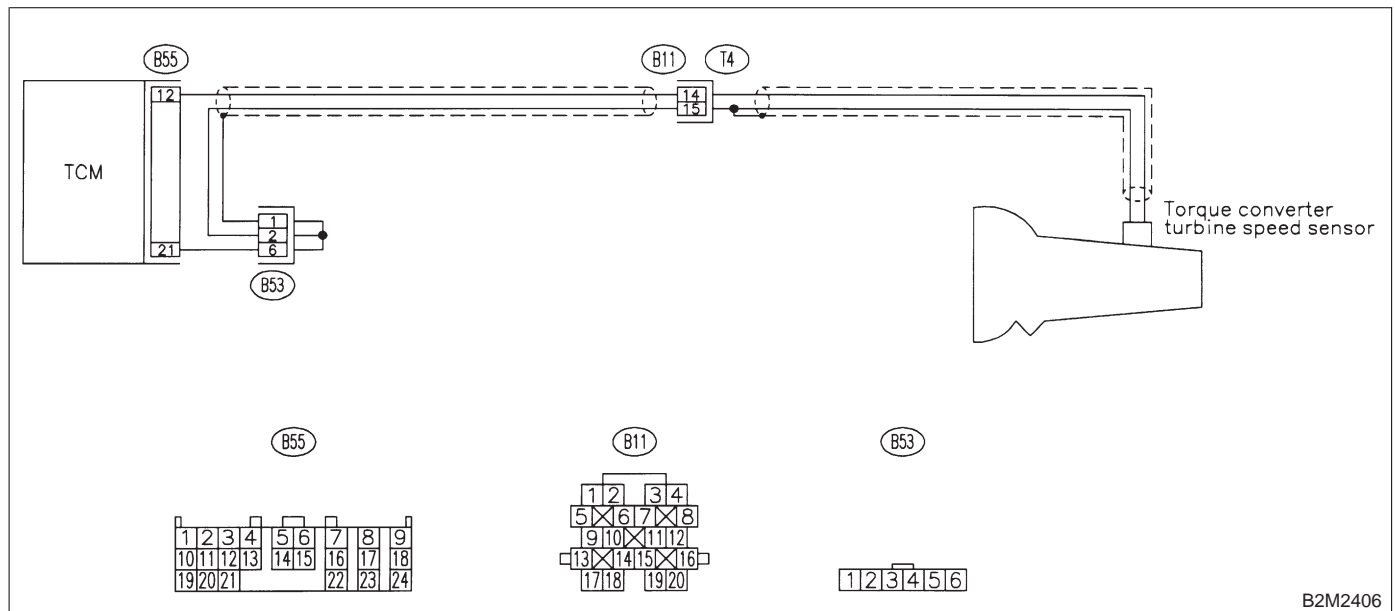
DIAGNOSIS:

Input signal circuit of TCM is open or shorted.

TROUBLE SYMPTOM:

Excessive shift shock.

WIRING DIAGRAM:



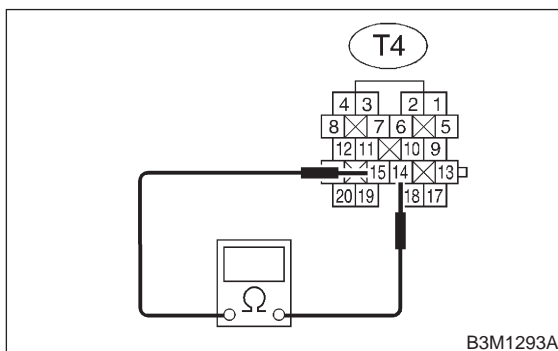
B2M2406

8H1 : CHECK TORQUE CONVERTER TURBINE SPEED SENSOR.

- 1) Turn ignition switch to OFF.
- 2) Disconnect connector from transmission.
- 3) Measure resistance between transmission connector receptacle's terminals.

Connector & terminal

(T4) No. 14 — No. 15:



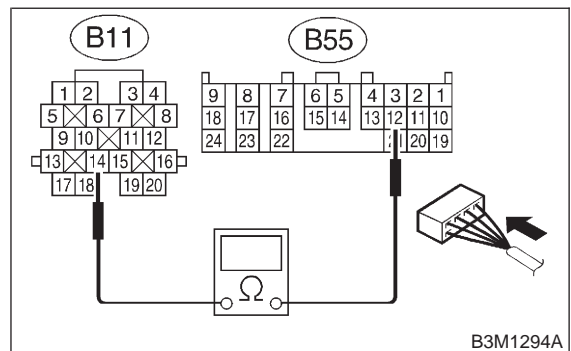
B3M1293A

8H2 : CHECK HARNESS CONNECTOR BETWEEN TCM AND TRANSMISSION.

- 1) Disconnect connector from TCM.
- 2) Measure resistance of harness between TCM and transmission connector.

Connector & terminal

(B55) No. 12 — (B11) No. 14:



B3M1294A

CHECK : Is the resistance between 450 and 650 Ω?

YES : Go to step 8H2.

NO : Replace turbine speed sensor. <Ref. to 3-2 [W11B0].>

CHECK : Is the resistance less than 1 Ω?

YES : Go to step 8H3.

NO : Repair open circuit in harness between TCM and transmission connector.

3-2 [T8H3] AUTOMATIC TRANSMISSION AND DIFFERENTIAL

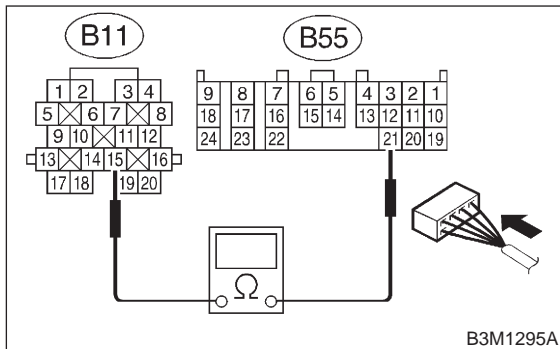
8. Diagnostic Chart with Trouble Code

8H3 : CHECK HARNESS CONNECTOR BETWEEN TCM AND TRANSMISSION.

Measure resistance of harness between TCM and transmission connector.

Connector & terminal

(B55) No. 21 — (B11) No. 15:



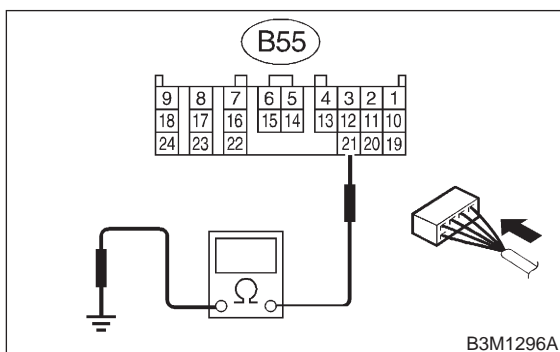
- CHECK** : Is the resistance less than 1 Ω?
- YES** : Go to step 8H4.
- NO** : Repair open circuit in harness between TCM and transmission connector.

8H4 : CHECK HARNESS CONNECTOR BETWEEN TCM AND TRANSMISSION.

Measure resistance of harness between TCM and transmission connector.

Connector & terminal

(B55) No. 21 — Chassis ground:



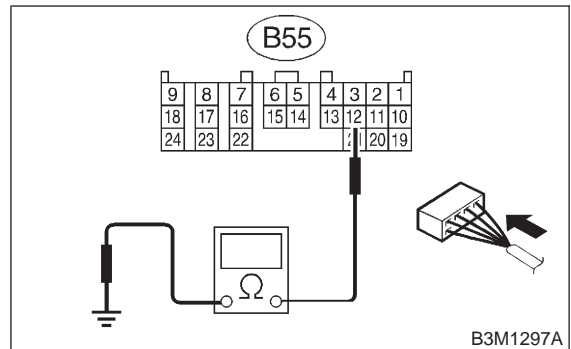
- CHECK** : Is the resistance more than 1 MΩ?
- YES** : Go to step 8H5.
- NO** : Repair short circuit in harness between TCM and transmission connector.

8H5 : CHECK HARNESS CONNECTOR BETWEEN TCM AND TRANSMISSION.

Measure resistance of harness between TCM and transmission connector.

Connector & terminal

(B55) No. 12 — Chassis ground:



- CHECK** : Is the resistance more than 1 MΩ?
- YES** : Go to step 8H6.
- NO** : Repair short circuit in harness between TCM and transmission connector.

8H6 : PREPARE OSCILLOSCOPE.

- CHECK** : Do you have oscilloscope?
- YES** : Go to step 8H10.
- NO** : Go to step 8H7.

8H7 : PREPARE SUBARU SELECT MONITOR.

- CHECK** : Do you have a Subaru Select Monitor?
- YES** : Go to step 8H9.
- NO** : Go to step 8H8.

8H8 : CHECK INPUT SIGNAL FOR TCM.

- 1) Connect connectors to TCM and transmission.
- 2) Lift-up or raise the vehicle and place safety stands.

CAUTION:

Raise all wheels off floor.

- 3) Start the engine and set vehicle in 20 km/h (12 MPH) condition.

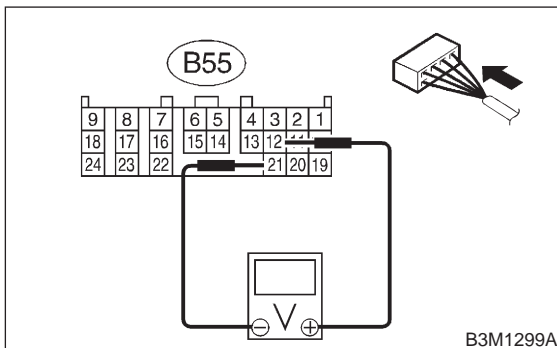
NOTE:

The speed difference between front and rear wheels may light the ABS warning light, but this indicates no malfunction. When AT control diagnosis is finished, perform the ABS memory clearance procedure of on-board diagnostics system. <Ref. to 4-4 [T6D2].>

- 4) Measure voltage between TCM connector terminals.

Connector & terminal

(B55) No. 12 (+) — No. 21 (-):



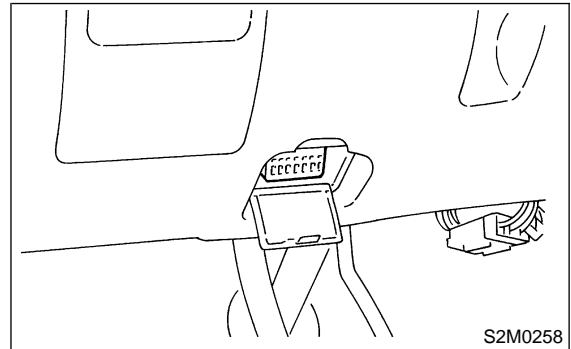
CHECK : **Is the voltage more than AC 1 V?**

YES : Even if "AT OIL TEMP" lights up, the circuit has returned to a normal condition at this time. A temporary poor contact of the connector or harness may be the cause. Repair harness or connector in the TCM and transmission.

NO : Go to step **8H11**.

8H9 : CHECK INPUT SIGNAL FOR TCM USING SUBARU SELECT MONITOR.

- 1) Connect connectors to TCM and transmission.
- 2) Connect Subaru Select Monitor to data link connector.



- 3) Lift-up or raise the vehicle and place safety stands.

CAUTION:

Raise all wheels off floor.

- 4) Turn ignition switch to ON and turn Subaru Select Monitor switch to ON.
- 5) Start the engine.
- 6) Read data of vehicle speed using Subaru Select Monitor.

- Compare speedometer with Subaru Select Monitor indications.
 - Vehicle speed is indicated in "km/h" or "MPH".
- 7) Slowly increase vehicle speed to 20 km/h or 12 MPH.

NOTE:

The speed difference between front and rear wheels may light the ABS warning light, but this indicates no malfunction. When AT control diagnosis is finished, perform the ABS memory clearance procedure of on-board diagnostics system. <Ref. to 4-4 [T6D2].>

CHECK : **Is the revolution value same as the tachometer reading shown on the combination meter?**

YES : Even if "AT OIL TEMP" lights up, the circuit has returned to a normal condition at this time. A temporary poor contact of the connector or harness may be the cause. Repair harness or connector in the TCM and transmission.

NO : Go to step **8H11**.

3-2 [T8H10] AUTOMATIC TRANSMISSION AND DIFFERENTIAL

8. Diagnostic Chart with Trouble Code

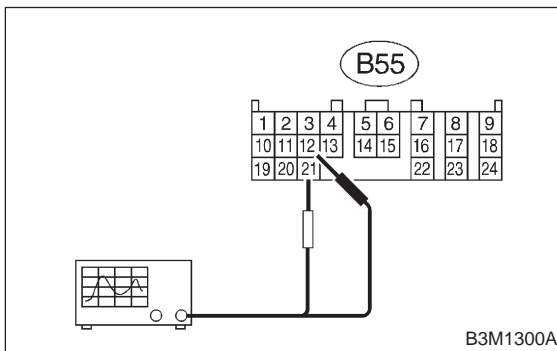
8H10 : CHECK INPUT SIGNAL FOR TCM USING OSCILLOSCOPE.

- 1) Connect connectors to TCM and transmission.
- 2) Lift-up or raise the vehicle and place safety stands.

CAUTION:

Raise all wheels off floor.

- 3) Set oscilloscope to TCM connector terminals.
Position probe; (B55) No. 12
Earth lead; (B55) No. 21

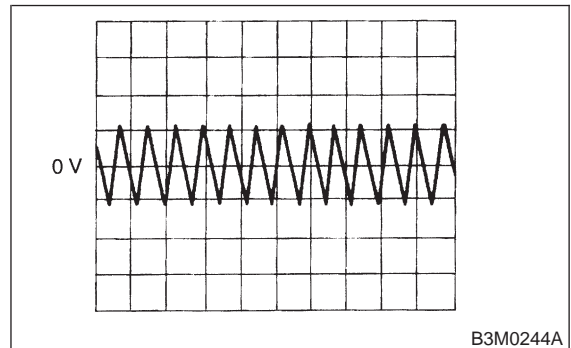


- 4) Start the engine and set vehicle in 20 km/h (12 MPH) condition.

NOTE:

The speed difference between front and rear wheels may light the ABS warning light, but this indicates no malfunction. When AT control diagnosis is finished, perform the ABS memory clearance procedure of on-board diagnostics system. <Ref. to 4-4 [T6D2].>

- 5) Measure signal voltage indicated on oscilloscope.



CHECK : *Is the signal voltage more than AC 1 V?*

YES : Even if "AT OIL TEMP" lights up, the circuit has returned to a normal condition at this time. A temporary poor contact of the connector or harness may be the cause. Repair harness or connector in the TCM and transmission.

NO : Go to step **8H11**.

8H11 : CHECK POOR CONTACT.

CHECK : *Is there poor contact in vehicle speed sensor 1 circuit?*

YES : Repair poor contact.

NO : Replace TCM. <Ref. to 3-2 [W22A0].>

I: TROUBLE CODE 38 — TORQUE CONTROL SIGNAL —

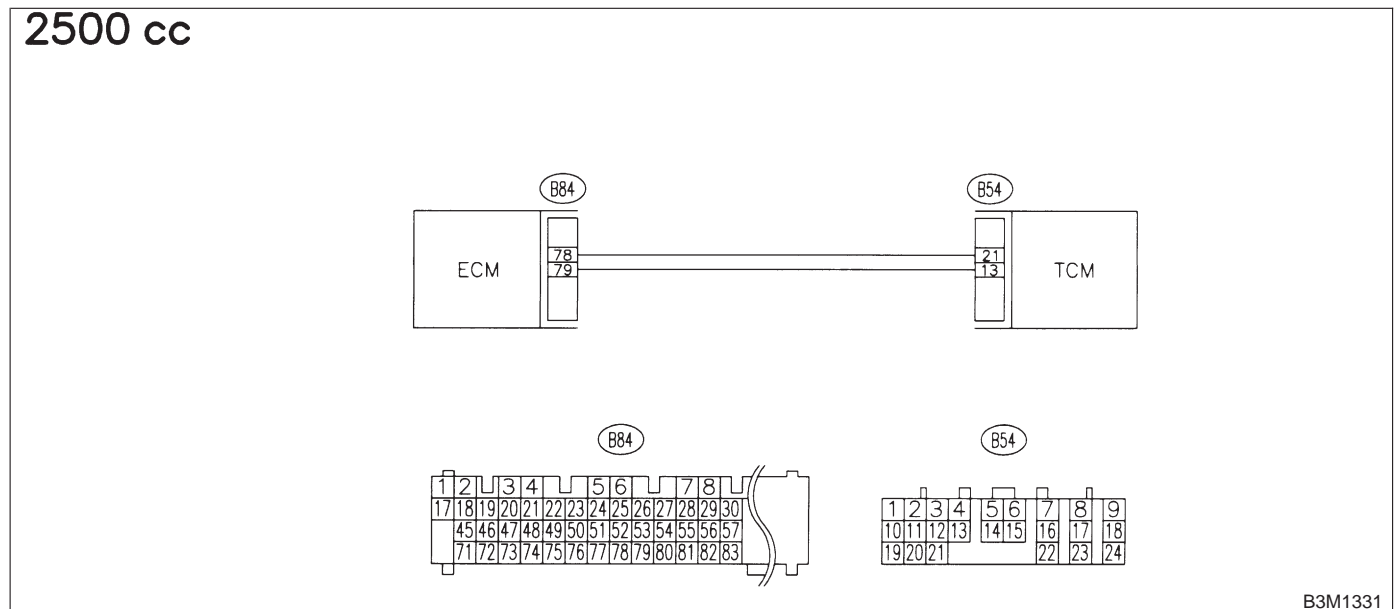
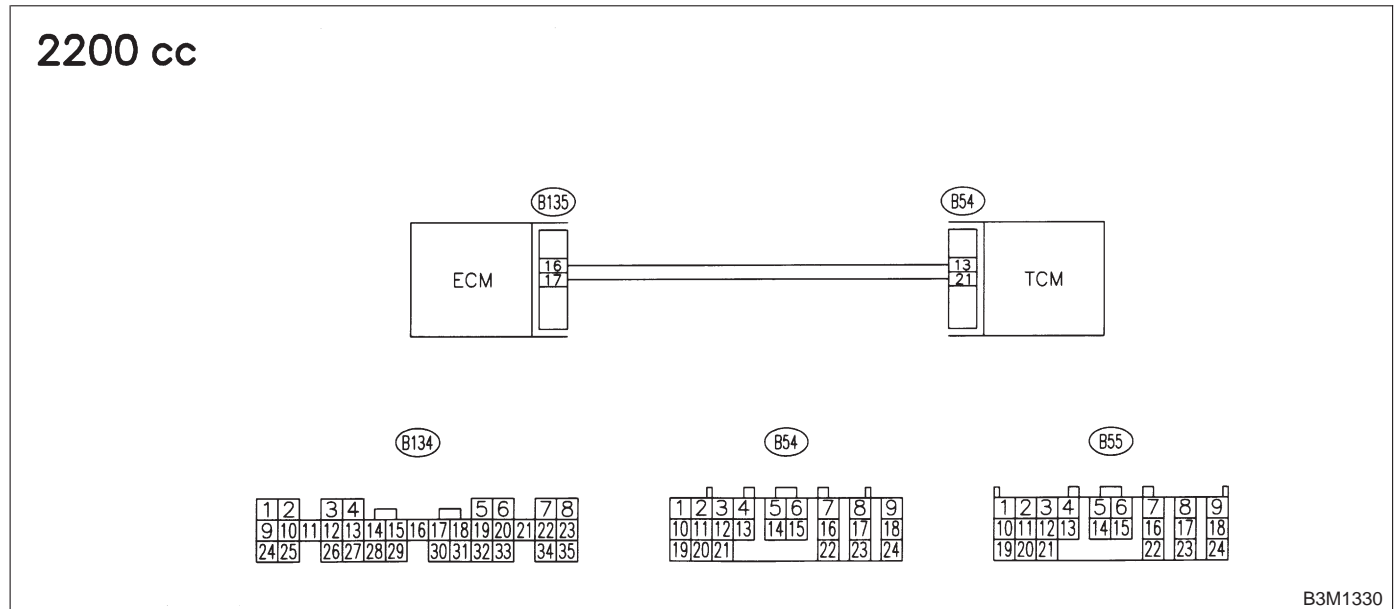
DIAGNOSIS:

- The signal circuit is open or shorted.

TROUBLE SYMPTOM:

Excessive shift shock.

WIRING DIAGRAM:



811 : CHECK DISPLACEMENT OF THE VEHICLE.

- CHECK** : *Is the vehicle 2200 cc engine?*
- YES** : Go to step **812**.
- NO** : Go to step **814**.

3-2 [T8I2] AUTOMATIC TRANSMISSION AND DIFFERENTIAL

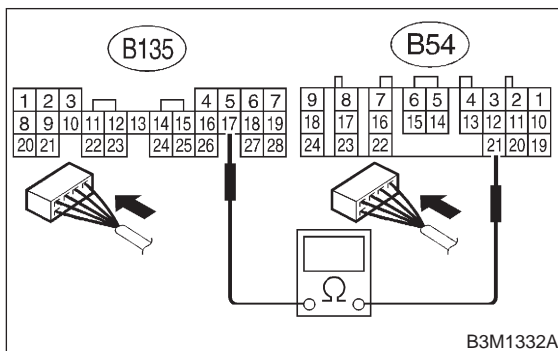
8. Diagnostic Chart with Trouble Code

8I2 : CHECK HARNESS CONNECTOR BETWEEN TCM AND ECM.

- 1) Turn ignition switch to OFF.
- 2) Disconnect connectors from TCM and ECM.
- 3) Measure resistance of harness between TCM and ECM connector.

Connector & terminal

(B54) No. 21 — (B135) No. 17:



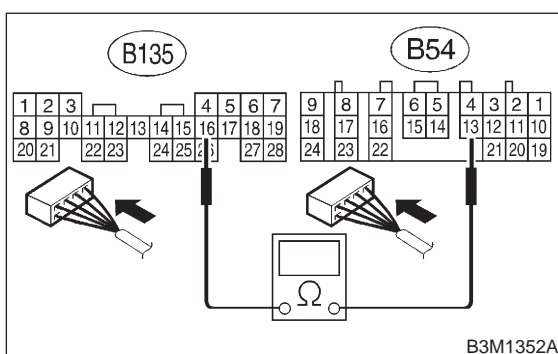
- CHECK** : Is the resistance less than 1 Ω?
- YES** : Go to step 8I3.
- NO** : Repair open circuit in harness between TCM and ECM connector.

8I3 : CHECK HARNESS CONNECTOR BETWEEN TCM AND ECM.

Measure resistance of harness between TCM and ECM connector.

Connector & terminal

(B54) No. 13 — (B135) No. 16:



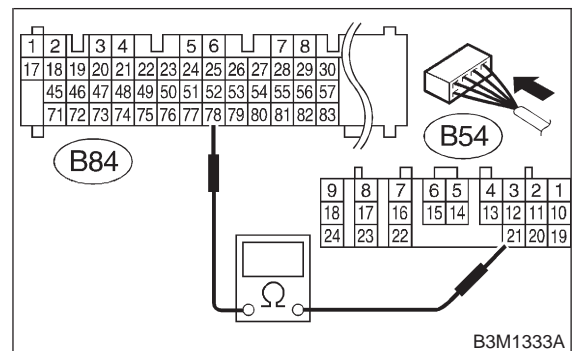
- CHECK** : Is the resistance less than 1 Ω?
- YES** : Go to step 8I6.
- NO** : Repair open circuit in harness between TCM and ECM connector.

8I4 : CHECK HARNESS CONNECTOR BETWEEN TCM AND ECM.

- 1) Turn ignition switch to OFF.
- 2) Disconnect connectors from TCM and ECM.
- 3) Measure resistance of harness between TCM and ECM connector.

Connector & terminal

(B54) No. 21 — (B84) No. 78:



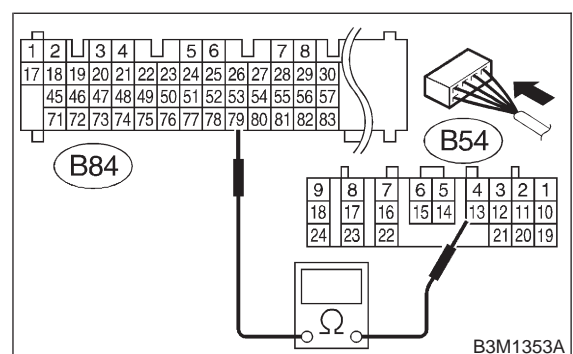
- CHECK** : Is the resistance less than 1 Ω?
- YES** : Go to step 8I5.
- NO** : Repair open circuit in harness between TCM and ECM connector.

8I5 : CHECK HARNESS CONNECTOR BETWEEN TCM AND ECM.

Measure resistance of harness between TCM and ECM connector.

Connector & terminal

(B54) No. 13 — (B84) No. 79:

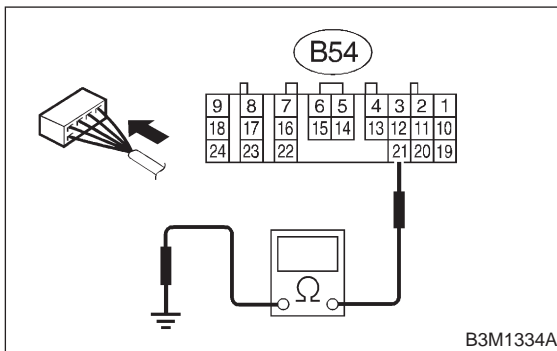


- CHECK** : Is the resistance less than 1 Ω?
- YES** : Go to step 8I6.
- NO** : Repair open circuit in harness between TCM and ECM connector.

816 : CHECK HARNESS CONNECTOR BETWEEN TCM AND ECM.

Measure resistance of harness between TCM connector and chassis ground.

Connector & terminal
(B54) No. 21 — Chassis ground:

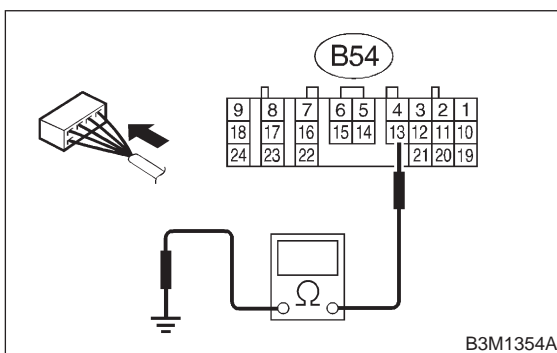


- CHECK** : *Is the resistance more than 1 MΩ?*
- YES** : Go to step **817**.
- NO** : Repair short circuit in harness between TCM and ECM connector.

817 : CHECK HARNESS CONNECTOR BETWEEN TCM AND ECM.

Measure resistance of harness between TCM connector and chassis ground.

Connector & terminal
(B54) No. 13 — Chassis ground:

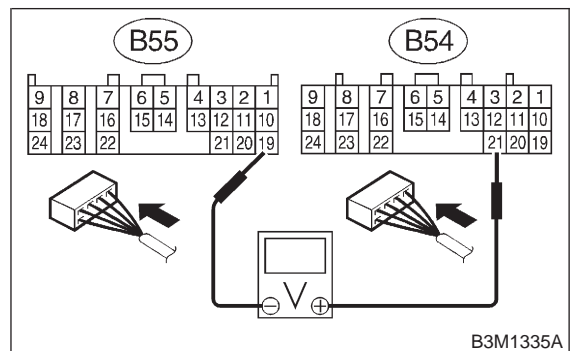


- CHECK** : *Is the resistance more than 1 MΩ?*
- YES** : Go to step **818**.
- NO** : Repair short circuit in harness between TCM and ECM connector.

818 : CHECK OUTPUT SIGNAL EMITTED FROM TCM.

- 1) Connect connectors to TCM and ECM.
- 2) Turn ignition switch to ON (engine OFF).
- 3) Measure voltage between TCM connector terminals.

Connector & terminal
(B54) No. 21 (+) — (B55) No. 19:



- CHECK** : *Is the voltage more than 9 V?*
- YES** : Even if “AT OIL TEMP” lights up, the circuit has returned to a normal condition at this time. A temporary poor contact of the connector or harness may be the cause. Repair harness or connector in the TCM and ECM.
- NO** : Go to step **819**.

3-2 [T819] AUTOMATIC TRANSMISSION AND DIFFERENTIAL

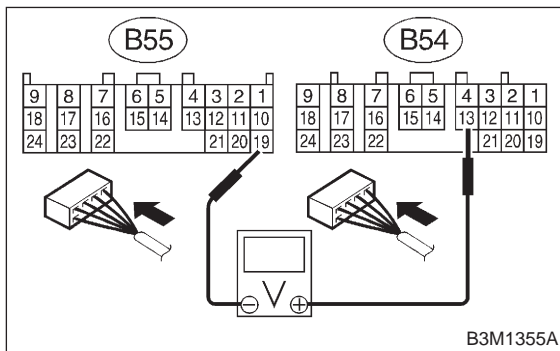
8. Diagnostic Chart with Trouble Code

8I9 : CHECK OUTPUT SIGNAL EMITTED FROM TCM.

Measure voltage between TCM connector terminals.

Connector & terminal

(B54) No. 13 (+) — (B55) No. 19 (-):



CHECK : *Is the voltage more than 9 V?*

YES : Even if "AT OIL TEMP" lights up, the circuit has returned to a normal condition at this time. A temporary poor contact of the connector or harness may be the cause. Repair harness or connector in the TCM and ECM.

NO : Go to step **8I10**.

8I10 : CHECK POOR CONTACT.

CHECK : *Is there poor contact in torque control signal circuit?*

YES : Repair poor contact.

NO : Go to step **8I11**.

8I11 : CONFIRM TROUBLE CODE 38.

CHECK : *Replace ECM with a new one. Does the trouble code appear again, after the memory has been cleared?*

YES : Replace TCM. <Ref. to 3-2 [W22A0].>

NO : Replace ECM. <Ref. to 2-7 [W15A0].>

J: TROUBLE CODE 45 — AT LOAD SIGNAL (2200 cc CALIFORNIA SPEC. VEHICLES) —

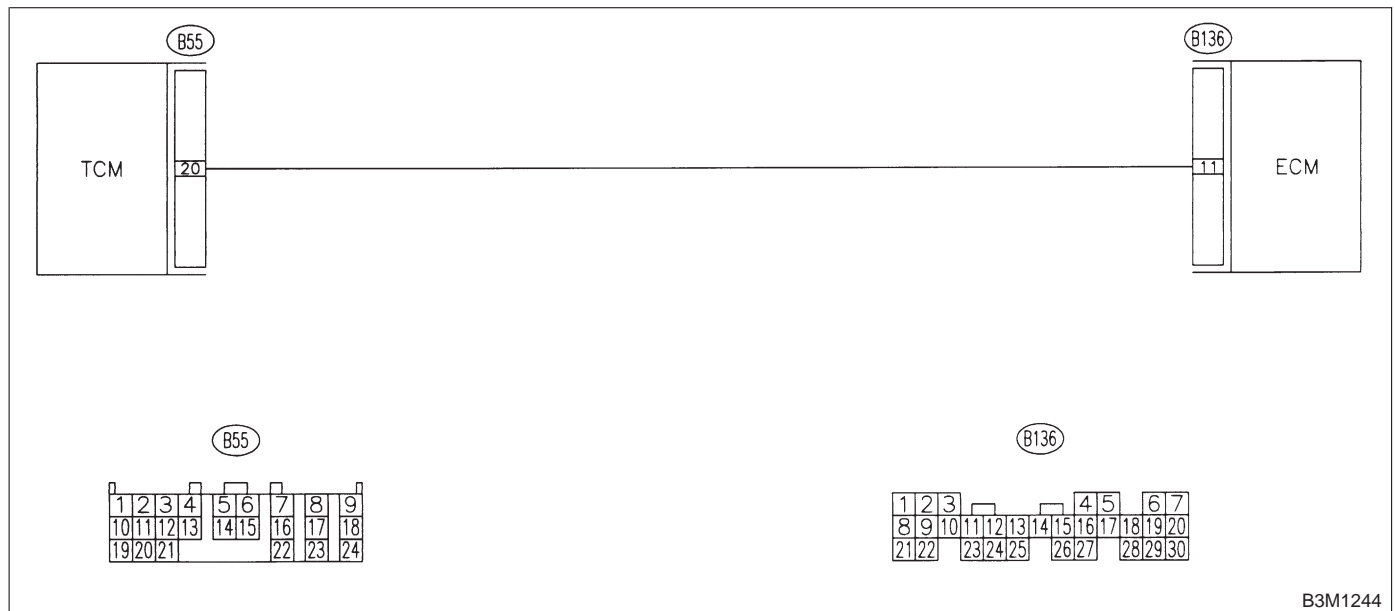
DIAGNOSIS:

Input signal circuit of TCM from ECM is open or shorted.

TROUBLE SYMPTOM:

Excessive shift shock.

WIRING DIAGRAM:



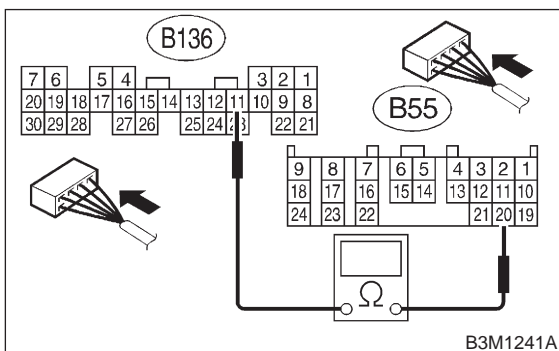
B3M1244

8J1 : CHECK HARNESS CONNECTOR BETWEEN TCM AND ECM.

- 1) Turn ignition switch to OFF.
- 2) Disconnect connectors from TCM and ECM.
- 3) Measure resistance of harness between TCM and ECM connector.

Connector & terminal

(B55) No. 20 — (B136) No. 11:



B3M1241A

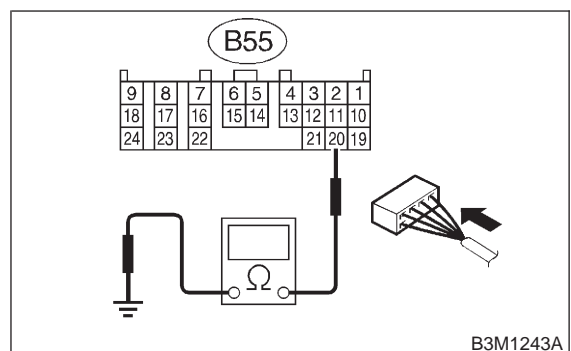
- CHECK** : Is the resistance less than 1 Ω?
- YES** : Go to step 8J2.
- NO** : Repair open circuit in harness between TCM and ECM connector.

8J2 : CHECK HARNESS CONNECTOR BETWEEN TCM AND ECM.

Measure resistance of harness between TCM connector and chassis ground.

Connector & terminal

(B55) No. 20 — Chassis ground:



B3M1243A

- CHECK** : Is the resistance more than 1 MΩ?
- YES** : Go to step 8J3.
- NO** : Repair short circuit in harness between TCM and ECM connector.

3-2 [T8J3] AUTOMATIC TRANSMISSION AND DIFFERENTIAL

8. Diagnostic Chart with Trouble Code

8J3 : PREPARE SUBARU SELECT MONITOR.

CHECK : *Do you have a Subaru Select Monitor?*

YES : Go to step 8J5.

NO : Go to step 8J4.

8J4 : CHECK INPUT SIGNAL FOR TCM.

- 1) Connect connectors to TCM and ECM.
- 2) Start the engine, and warm-up the transmission until ATF temperature is above 80°C (176°F).

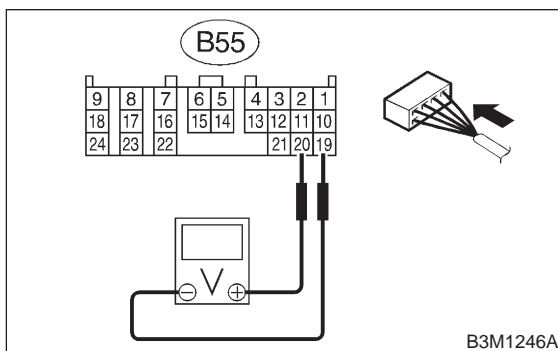
NOTE:

If ambient temperature is below 0°C (32°F), drive the vehicle until the ATF reaches its operating temperature.

- 3) Engine idling.
- 4) Measure voltage between TCM connectors.

Connector & terminal

(B55) No. 20 (+) — No. 19 (-):



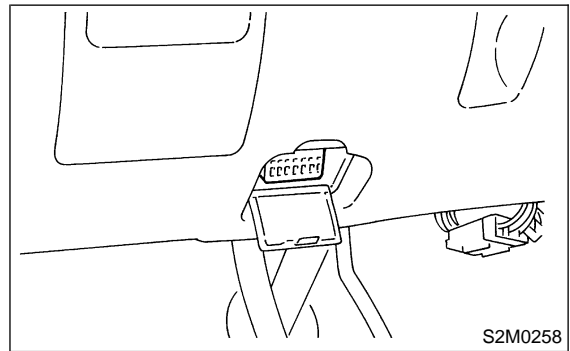
CHECK : *Is the voltage between 1.2 and 1.8 V?*

YES : Even if "AT OIL TEMP" lights up, the circuit has returned to a normal condition at this time. A temporary poor contact of the connector or harness may be the cause. Repair harness or connector in the TCM and ECM.

NO : Go to step 8J6.

8J5 : CHECK INPUT SIGNAL FOR TCM USING SUBARU SELECT MONITOR.

- 1) Connect connectors to TCM and ECM.
- 2) Turn ignition switch to OFF.
- 3) Connect Subaru Select Monitor to data link connector.



- 4) Start the engine, and turn Subaru Select monitor switch to ON.
 - 5) Warm-up the engine until engine coolant temperature is above 80°C (176°F).
 - 6) Engine idling.
 - 7) Read data of mass air flow signal using Subaru Select Monitor.
- Display shows mass air flow signal value sent from ECM.

CHECK : *Is the value between 1.2 and 1.8 V?*

YES : Even if "AT OIL TEMP" lights up, the circuit has returned to a normal condition at this time. A temporary poor contact of the connector or harness may be the cause. Repair harness or connector in the TCM and ECM.

NO : Go to step 8J6.

8J6 : CHECK POOR CONTACT.

CHECK : *Is there poor contact in mass air flow signal circuit?*

YES : Repair poor contact.

NO : Replace TCM. <Ref. to 3-2 [W22A0].>

K: TROUBLE CODE 71 — SHIFT SOLENOID 1 —

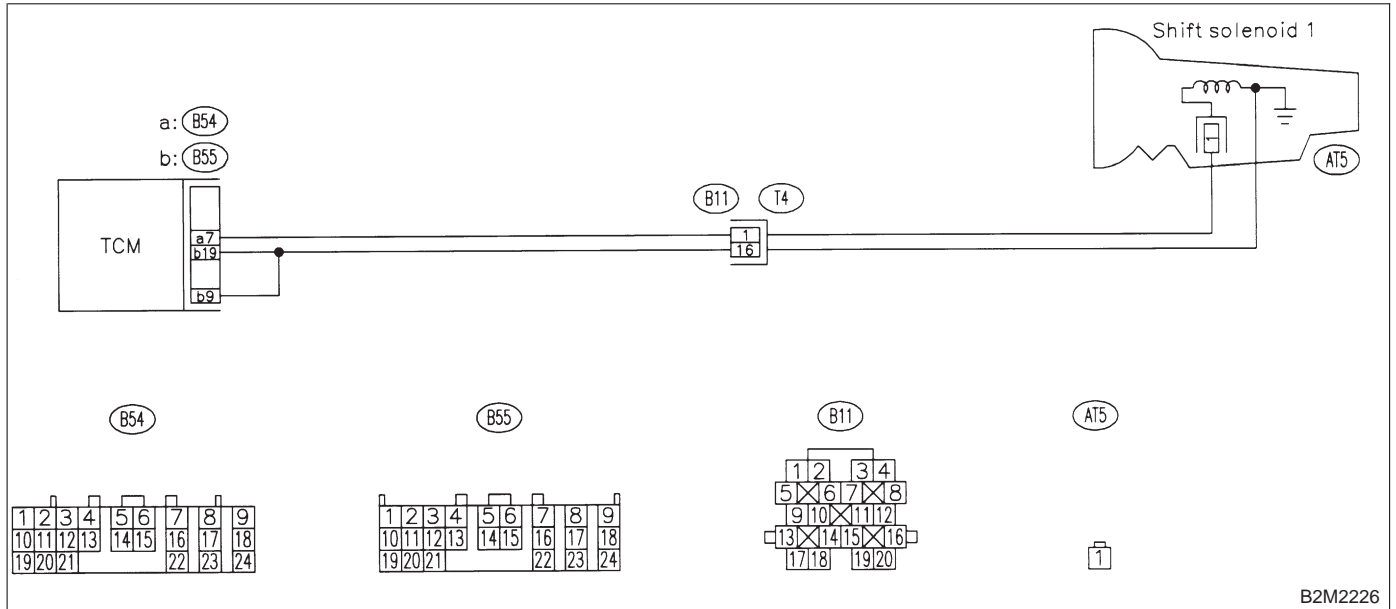
DIAGNOSIS:

Output signal circuit of shift solenoid 1 is open or shorted.

TROUBLE SYMPTOM:

Does not shift.

WIRING DIAGRAM:



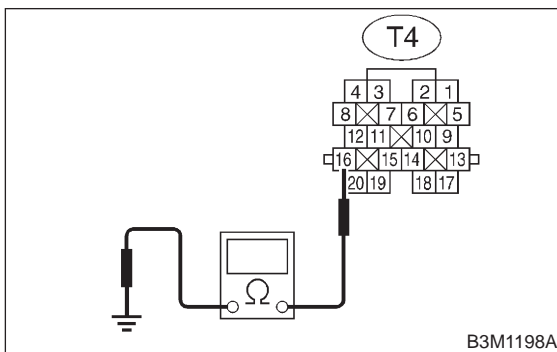
B2M2226

8K1 : CHECK SHIFT SOLENOID 1 GROUND LINE.

- 1) Turn ignition switch to OFF.
- 2) Disconnect connector from transmission.
- 3) Measure resistance between transmission connector and transmission ground.

Connector & terminal

(T4) No. 16 — Chassis ground:



B3M1198A

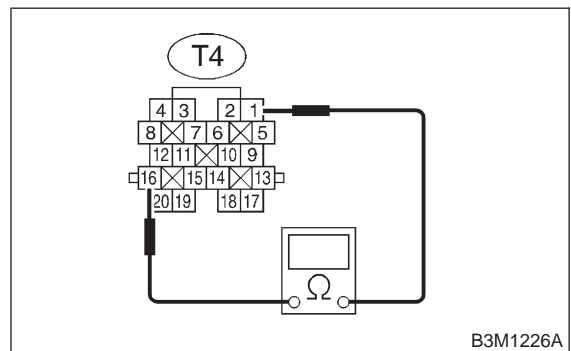
- CHECK** : Is the resistance less than 1 Ω?
- YES** : Go to step 8K2.
- NO** : Repair open circuit in transmission harness.

8K2 : CHECK SHIFT SOLENOID 1.

Measure resistance between transmission connector terminals.

Connector & terminal

(T4) No. 1 — No. 16:



B3M1226A

- CHECK** : Is the resistance between 10 and 16 Ω?
- YES** : Go to step 8K3.
- NO** : Go to step 8K9.

3-2 [T8K3] AUTOMATIC TRANSMISSION AND DIFFERENTIAL

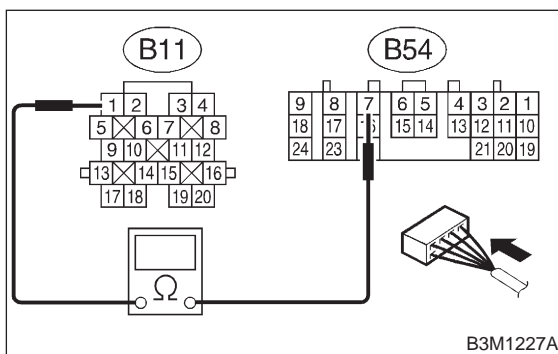
8. Diagnostic Chart with Trouble Code

8K3 : CHECK HARNESS CONNECTOR BETWEEN TCM AND TRANSMISSION.

- 1) Disconnect connector from TCM.
- 2) Measure resistance of harness between TCM and shift solenoid 1 connector.

Connector & terminal

(B54) No. 7 — (B11) No. 1:



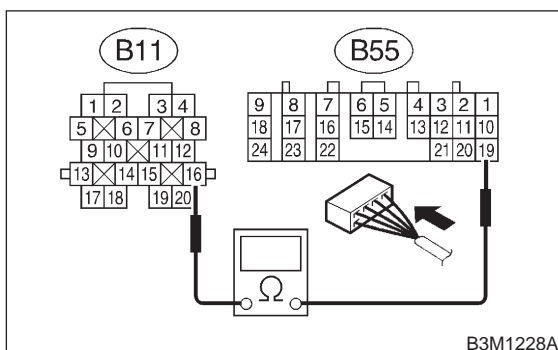
- CHECK** : Is the resistance less than 1 Ω?
- YES** : Go to step 8K4.
- NO** : Repair open circuit in harness between TCM and transmission connector.

8K4 : CHECK HARNESS CONNECTOR BETWEEN TCM AND TRANSMISSION.

Measure resistance of harness between TCM and shift solenoid 1 connector.

Connector & terminal

(B55) No. 19 — (B11) No. 16:



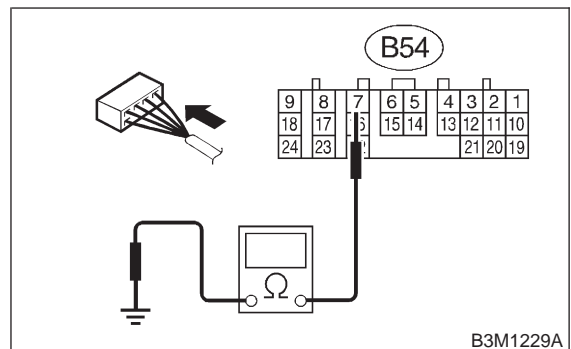
- CHECK** : Is the resistance less than 1 Ω?
- YES** : Go to step 8K5.
- NO** : Repair open circuit in harness between TCM and transmission connector.

8K5 : CHECK HARNESS CONNECTOR BETWEEN TCM AND TRANSMISSION.

Measure resistance of harness between TCM connector and transmission ground.

Connector & terminal

(B54) No. 7 — Chassis ground:



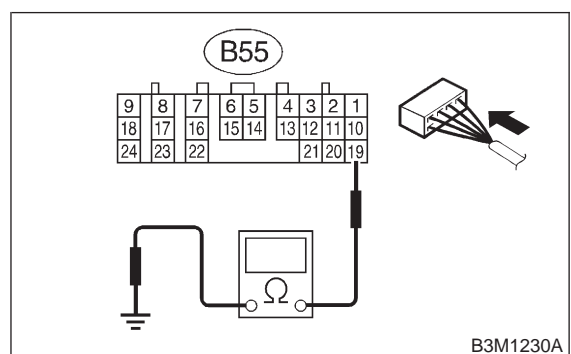
- CHECK** : Is the resistance more than 1 MΩ?
- YES** : Go to step 8K6.
- NO** : Repair short circuit in harness between TCM and transmission connector.

8K6 : CHECK HARNESS CONNECTOR BETWEEN TCM AND TRANSMISSION.

Measure resistance of harness TCM connector and transmission ground.

Connector & terminal

(B55) No. 19 — Chassis ground:



- CHECK** : Is the resistance more than 1 MΩ?
- YES** : Go to step 8K7.
- NO** : Repair short circuit in harness between TCM and transmission connector.

8K7 : CHECK OUTPUT SIGNAL EMITTED FROM TCM.

- 1) Connect connectors to TCM and transmission.
- 2) Lift-up or raise the vehicle and support with safety stand.

CAUTION:

On AWD models, raise all wheels off ground.

- 3) Start the engine and warm-up the transmission until ATF temperature is above 80°C (176°F).

NOTE:

If ambient temperature is below 0°C (32°F), drive the vehicle until the ATF reaches its operating temperature.

- 4) Move selector lever to “D”, and slowly increase vehicle speed to 50 km/h (31 MPH).

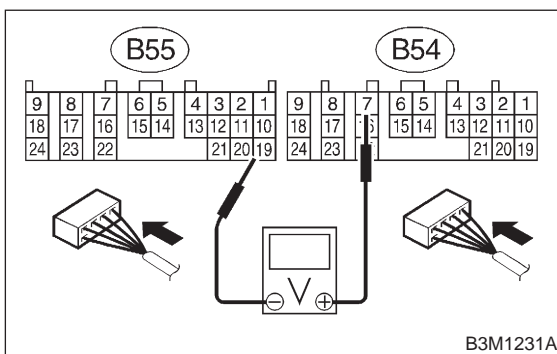
NOTE:

The speed difference between front and rear wheels may light the ABS warning light, but this indicates no malfunction. When AT control diagnosis is finished, perform the ABS memory clearance procedure of on-board diagnostics system. <Ref. to 4-4 [T6D2].>

- 5) Measure voltage between TCM connector terminals.

Connector & terminal

(B54) No. 7 (+) — (B55) No. 19 (-):



- CHECK** : **Is the voltage 1 V → 9 V?**
- YES** : Even if “AT OIL TEMP” lights up, the circuit has returned to a normal condition at this time. A temporary poor contact of the connector or harness may be the cause. Repair harness or connector in the TCM.
- NO** : Go to step **8K8**.

8K8 : CHECK POOR CONTACT.

- CHECK** : **Is there poor contact in shift solenoid 1 circuit?**
- YES** : Repair poor contact.
- NO** : Replace TCM. <Ref. to 3-2 [W22A0].>

8K9 : CHECK SHIFT SOLENOID 1 (IN TRANSMISSION).

- 1) Remove transmission connector from bracket.
- 2) Lift-up or raise the vehicle and support with safety stand.

CAUTION:

On AWD models, raise all wheels off ground.

- 3) Drain automatic transmission fluid.

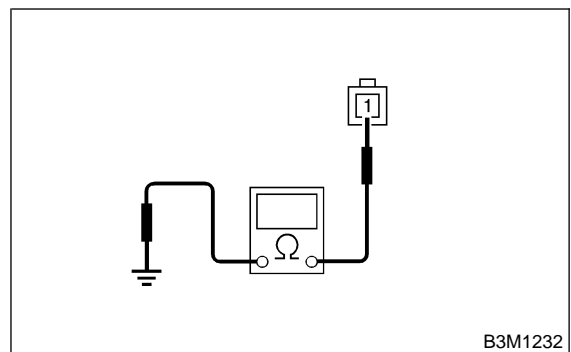
CAUTION:

Do not drain the automatic transmission fluid until it cools down.

- 4) Remove oil pan, and disconnect connector from shift solenoid 1.
- 5) Measure resistance between shift solenoid 1 connector and transmission ground.

Terminal

No. 1 — Transmission ground:



- CHECK** : **Is the resistance between 10 and 16 Ω?**
- YES** : Go to step **8K10**.
- NO** : Replace shift solenoid 1. <Ref. to 3-2 [W4A0].>

3-2 [T8K10] AUTOMATIC TRANSMISSION AND DIFFERENTIAL

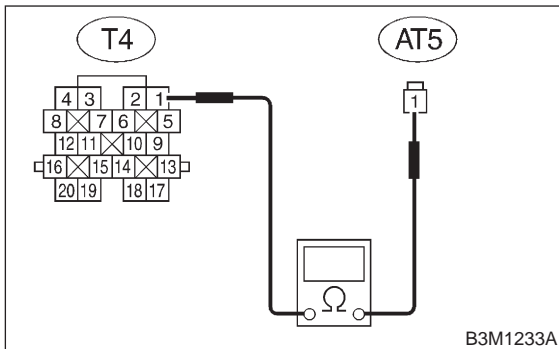
8. Diagnostic Chart with Trouble Code

8K10 : CHECK HARNESS CONNECTOR BETWEEN SHIFT SOLENOID 1 AND TRANSMISSION.

Measure resistance of harness between shift solenoid 1 and transmission connector.

Connector & terminal

(AT5) No. 1 — (T4) No. 1:



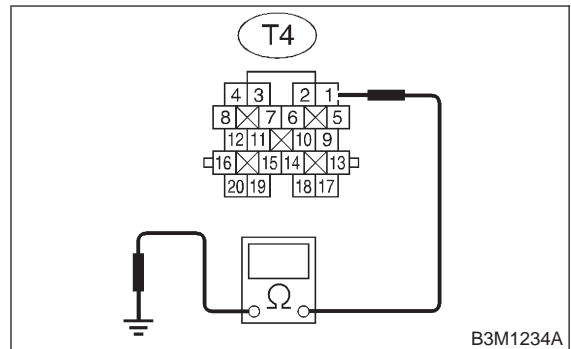
- CHECK** : **Is the resistance less than 1 Ω?**
- YES** : Go to step **8K11**.
- NO** : Repair open circuit in harness between TCM and transmission connector.

8K11 : CHECK HARNESS CONNECTOR BETWEEN SHIFT SOLENOID 1 AND TRANSMISSION.

Measure resistance of harness between shift solenoid 1 connector and transmission ground.

Connector & terminal

(T4) No. 1 — Transmission ground:



- CHECK** : **Is the resistance more than 1 MΩ?**
- YES** : Even if "AT OIL TEMP" lights up, the circuit has returned to a normal condition at this time. A temporary poor contact of the connector or harness may be the cause. Repair harness or connector in shift solenoid 1 and transmission.
- NO** : Repair short circuit harness between TCM and transmission connector.

L: TROUBLE CODE 72 — SHIFT SOLENOID 2 —

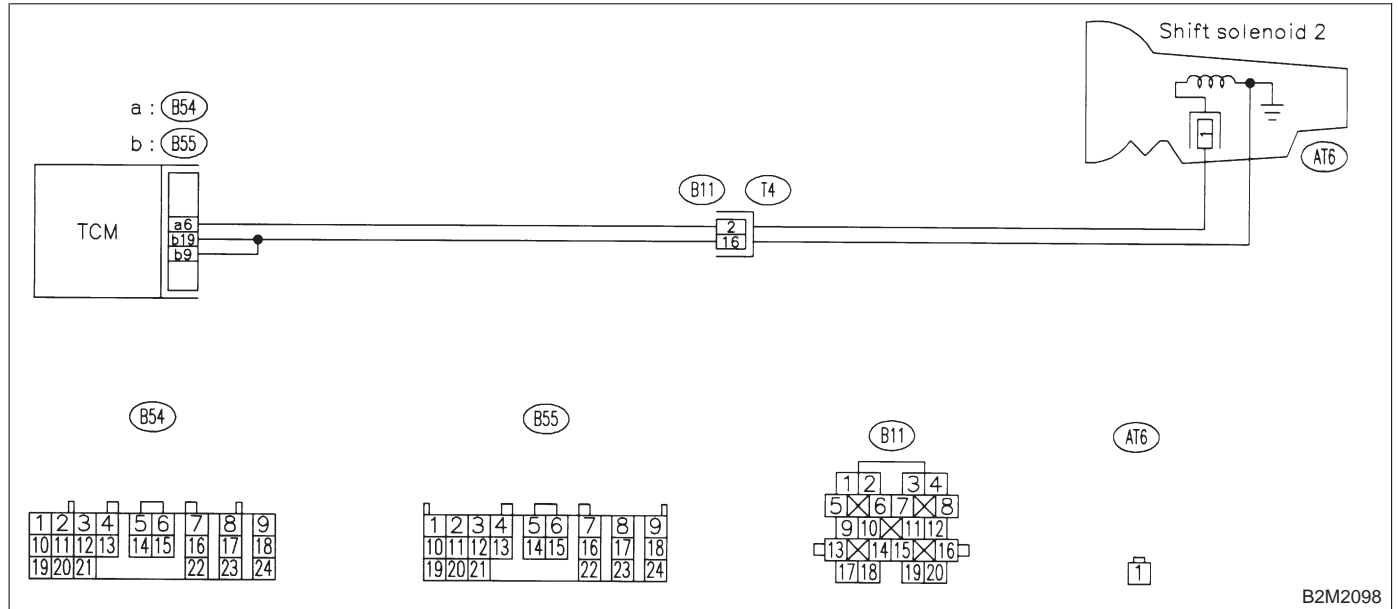
DIAGNOSIS:

Output signal circuit of shift solenoid 2 is open or shorted.

TROUBLE SYMPTOM:

Does not shift.

WIRING DIAGRAM:

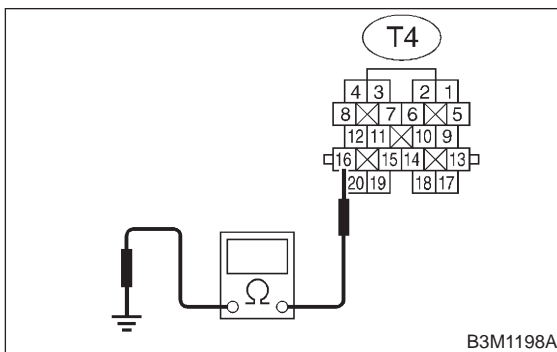


8L1 : CHECK SHIFT SOLENOID 2 GROUND LINE.

- 1) Turn ignition switch to OFF.
- 2) Disconnect connector from transmission.
- 3) Measure resistance between transmission connector and transmission ground.

Connector & terminal

(T4) No. 16 — Chassis ground:



CHECK : Is the resistance less than 1 Ω?

YES : Go to step 8L2.

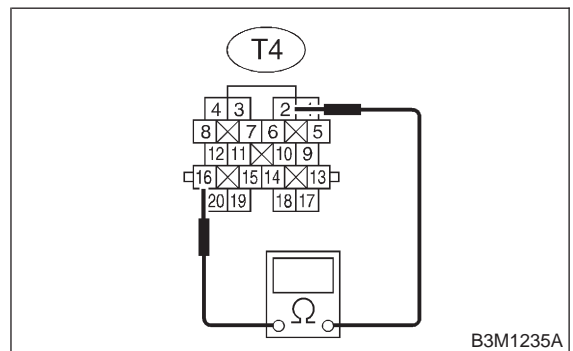
NO : Repair open circuit in transmission harness.

8L2 : CHECK SHIFT SOLENOID 2.

Measure resistance between transmission connector terminals.

Connector & terminal

(T4) No. 2 — No. 16:



CHECK : Is the resistance between 10 and 16 Ω?

YES : Go to step 8L3.

NO : Go to step 8L9.

3-2 [T8L3] AUTOMATIC TRANSMISSION AND DIFFERENTIAL

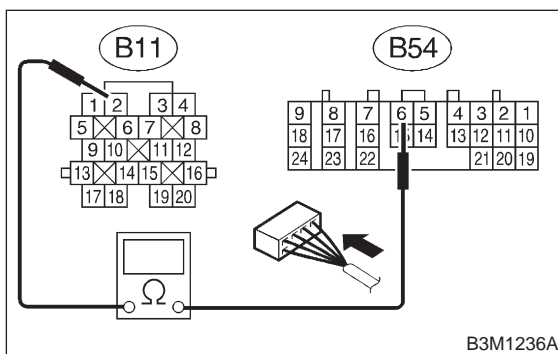
8. Diagnostic Chart with Trouble Code

8L3 : CHECK HARNESS CONNECTOR BETWEEN TCM AND TRANSMISSION.

- 1) Disconnect connector from TCM.
- 2) Measure resistance of harness between TCM and shift solenoid 2 connector.

Connector & terminal

(B54) No. 6 — (B11) No. 2:



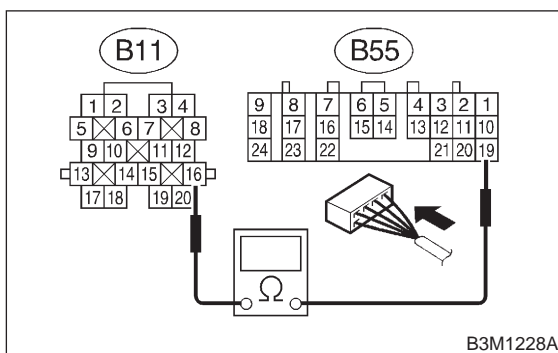
- CHECK** : Is the resistance less than 1 Ω?
- YES** : Go to step 8L4.
- NO** : Repair open circuit in harness between TCM and transmission connector.

8L4 : CHECK HARNESS CONNECTOR BETWEEN TCM AND TRANSMISSION.

Measure resistance of harness between TCM and shift solenoid 2 connector.

Connector & terminal

(B55) No. 19 — (B11) No. 16:



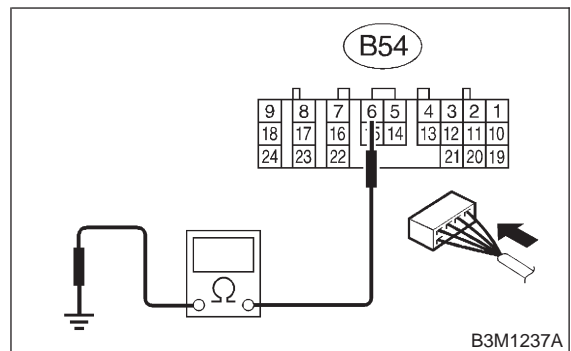
- CHECK** : Is the resistance less than 1 Ω?
- YES** : Go to step 8L5.
- NO** : Repair open circuit in harness between TCM and transmission connector.

8L5 : CHECK HARNESS CONNECTOR BETWEEN TCM AND TRANSMISSION.

Measure resistance of harness between TCM connector and transmission ground.

Connector & terminal

(B54) No. 6 — Chassis ground:



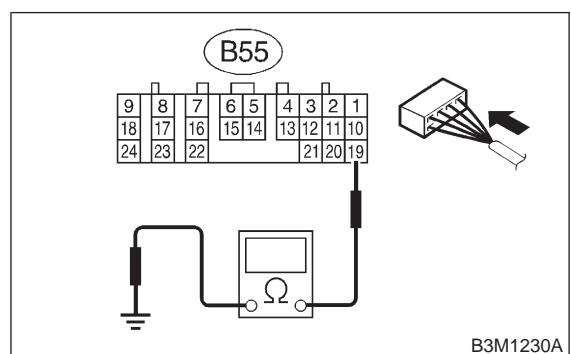
- CHECK** : Is the resistance more than 1 MΩ?
- YES** : Go to step 8L6.
- NO** : Repair short circuit in harness between TCM and transmission connector.

8L6 : CHECK HARNESS CONNECTOR BETWEEN TCM AND TRANSMISSION.

Measure resistance of harness between TCM connector and transmission ground.

Connector & terminal

(B55) No. 19 — Chassis ground:



- CHECK** : Is the resistance more than 1 MΩ?
- YES** : Go to step 8L7.
- NO** : Repair short circuit in harness between TCM and transmission connector.

8L7 : CHECK OUTPUT SIGNAL EMITTED FROM TCM.

- 1) Connect connectors to TCM and transmission.
- 2) Lift-up or raise the vehicle and support with safety stand.

CAUTION:

On AWD models, raise all wheels off ground.

- 3) Start the engine, and warm-up the transmission until ATF temperature is above 80°C (176°F).

NOTE:

If ambient temperature is below 0°C (32°F), drive the vehicle until the ATF reaches its operating temperature.

- 4) Move selector lever to "D", and slowly increase vehicle speed to 50 km/h (31 MPH).

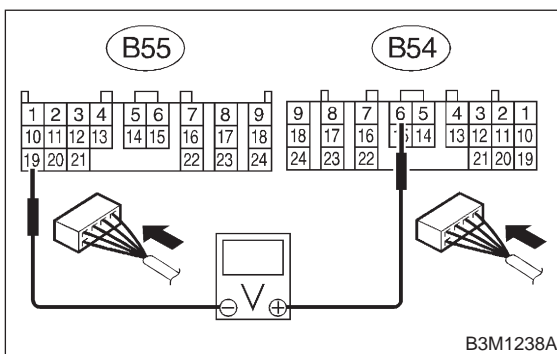
NOTE:

The speed difference between front and rear wheels may light the ABS warning light, but this indicates no malfunction. When AT control diagnosis is finished, perform the ABS memory clearance procedure of on-board diagnostics system. <Ref. to 4-4 [T6D2].>

- 5) Measure voltage between TCM connector terminals.

Connector & terminal

(B54) No. 6 (+) — (B55) No. 19:



- CHECK** : **Is the voltage 9 V → 1 V?**
- YES** : Even if "AT OIL TEMP" lights up, the circuit has returned to a normal condition at this time. A temporary poor contact of the connector or harness may be the cause. Repair harness or contact in the TCM.
- NO** : Go to step **8L8**.

8L8 : CHECK POOR CONTACT.

- CHECK** : **Is there poor contact in shift solenoid 2 circuit?**
- YES** : Repair poor contact.
- NO** : Replace TCM. <Ref. to 3-2 [W22A0].>

8L9 : CHECK SHIFT SOLENOID 2 (IN TRANSMISSION).

- 1) Remove transmission connector from bracket.
- 2) Drain automatic transmission fluid.

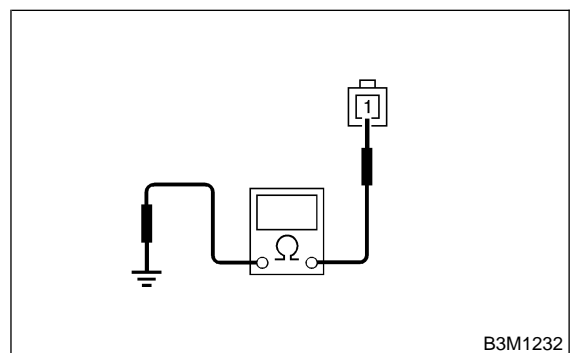
CAUTION:

Do not drain the automatic transmission fluid until it cools down.

- 3) Remove oil pan, and disconnect connector from shift solenoid 2.
- 4) Measure resistance between shift solenoid 2 connector and transmission ground.

Connector & terminal

No. 1 — Transmission ground:



- CHECK** : **Is the resistance between 10 and 16 Ω?**
- YES** : Go to step **8L10**.
- NO** : Replace shift solenoid assembly. <Ref. to 3-2 [W4A0].>

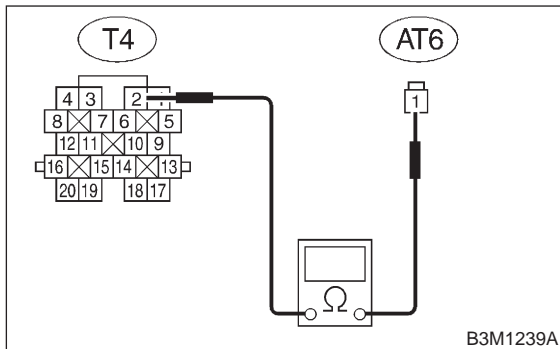
3-2 [T8L10] AUTOMATIC TRANSMISSION AND DIFFERENTIAL

8. Diagnostic Chart with Trouble Code

8L10 : CHECK HARNESS CONNECTOR BETWEEN SHIFT SOLENOID 2 AND TRANSMISSION.

Measure resistance of harness between shift solenoid 2 and transmission connector.

Connector & terminal
(AT6) No. 1 — (T4) No. 2:

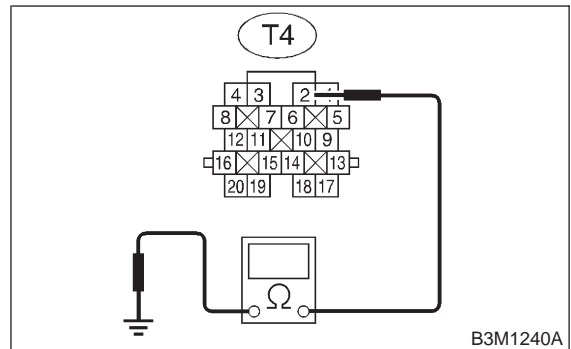


- CHECK** : Is the resistance less than 1 Ω?
- YES** : Go to step 8L11.
- NO** : Repair open circuit in harness between shift solenoid 2 and transmission connector.

8L11 : CHECK HARNESS CONNECTOR BETWEEN SHIFT SOLENOID 2 AND TRANSMISSION.

Measure resistance of harness between shift solenoid 2 connector and transmission ground.

Connector & terminal
(T4) No. 2 — Transmission ground:



- CHECK** : Is the resistance more than 1 MΩ?
- YES** : Even if "AT OIL TEMP" lights up, the circuit has returned to a normal condition at this time. A temporary poor contact of the connector or harness may be the cause. Repair harness or contact in the TCM.
- NO** : Repair short circuit harness between TCM and transmission connector.

M: TROUBLE CODE 73 — LOW CLUTCH TIMING SOLENOID —

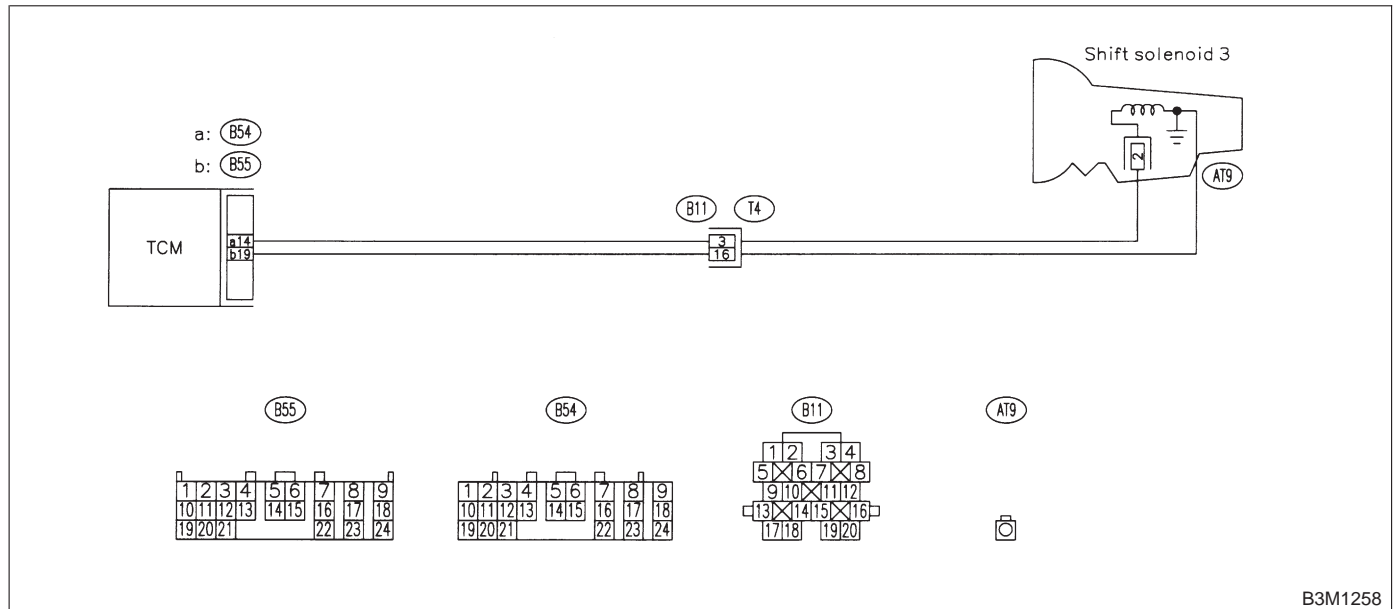
DIAGNOSIS:

Output signal circuit of low clutch timing solenoid is open or shorted.

TROUBLE SYMPTOM:

Excessive shift shock.

WIRING DIAGRAM:

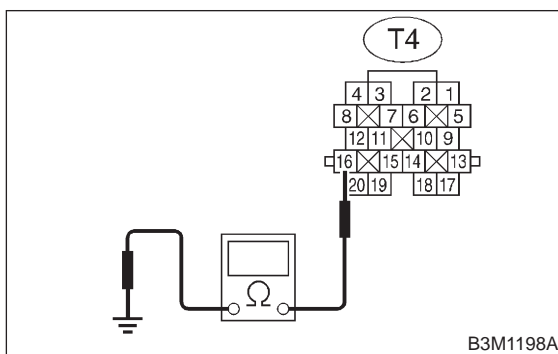


8M1 : CHECK LOW CLUTCH TIMING SOLENOID GROUND LINE.

- 1) Turn ignition switch to OFF.
- 2) Disconnect connector from transmission.
- 3) Measure resistance between transmission connector and transmission ground.

Connector & terminal

(T4) No. 16 — Chassis ground:



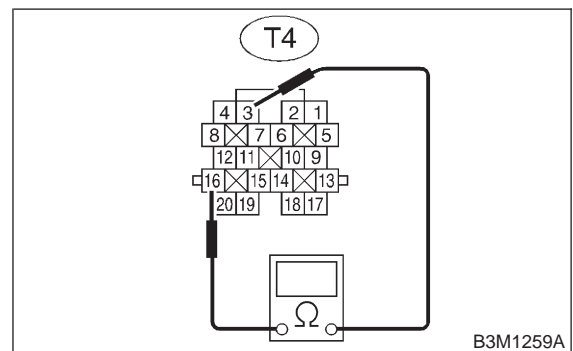
- CHECK** : Is the resistance less than 1 Ω?
- YES** : Go to step 8M2.
- NO** : Repair open circuit in transmission harness.

8M2 : CHECK LOW CLUTCH TIMING SOLENOID.

Measure resistance between transmission connector terminals.

Connector & terminal

(T4) No. 3 — No. 16:



- CHECK** : Is the resistance between 10 and 16 Ω?
- YES** : Go to step 8M3.
- NO** : Go to step 8M10.

3-2 [T8M3] AUTOMATIC TRANSMISSION AND DIFFERENTIAL

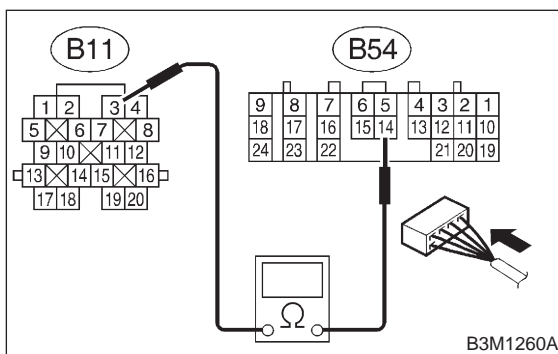
8. Diagnostic Chart with Trouble Code

8M3 : CHECK HARNESS CONNECTOR BETWEEN TCM AND TRANSMISSION.

- 1) Disconnect connector from TCM.
- 2) Measure resistance of harness between TCM and transmission connector.

Connector & terminal

(B54) No. 14 — (B11) No. 3:



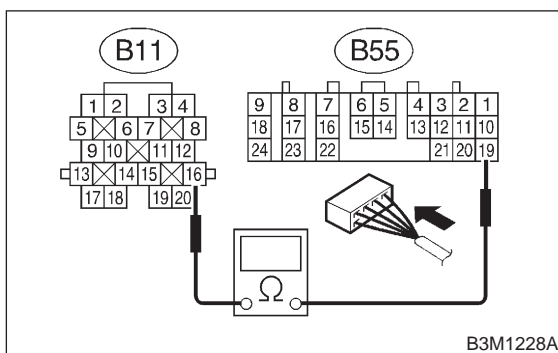
- CHECK** : Is the resistance less than 1 Ω?
- YES** : Go to step 8M4.
- NO** : Repair open circuit in harness between TCM and transmission connector.

8M4 : CHECK HARNESS CONNECTOR BETWEEN TCM AND TRANSMISSION.

Measure resistance of harness between TCM and transmission connector.

Connector & terminal

(B55) No. 19 — (B11) No. 16:



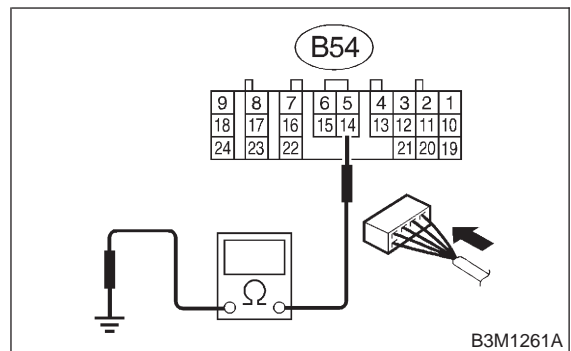
- CHECK** : Is the resistance less than 1 Ω?
- YES** : Go to step 8M5.
- NO** : Repair open circuit in harness between TCM and transmission connector.

8M5 : CHECK HARNESS CONNECTOR BETWEEN TCM AND TRANSMISSION.

Measure resistance of harness between TCM connector and transmission ground.

Connector & terminal

(B54) No. 14 — Chassis ground:



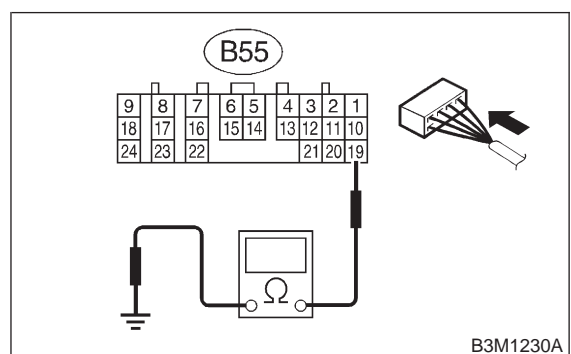
- CHECK** : Is the resistance more than 1 MΩ?
- YES** : Go to step 8M6.
- NO** : Repair short circuit in harness between TCM and transmission connector.

8M6 : CHECK HARNESS CONNECTOR BETWEEN TCM AND TRANSMISSION.

Measure resistance of harness between TCM connector and transmission ground.

Connector & terminal

(B55) No. 10 — Chassis ground:



- CHECK** : Is the resistance more than 1 MΩ?
- YES** : Go to step 8M7.
- NO** : Repair short circuit in harness between TCM and transmission connector.

8M7 : CHECK OUTPUT SIGNAL EMITTED FROM TCM.

- 1) Connect connectors to TCM and transmission.
- 2) Lift-up or raise the vehicle and support with safety stand.

CAUTION:

On AWD models, raise all wheels off ground.

- 3) Start the engine and warm-up the transmission until ATF temperature is above 80°C (176°F).

NOTE:

If ambient temperature is below 0°C (32°F), drive the vehicle until the ATF reaches its operating temperature.

- 4) Move selector lever to "2", and slowly increase vehicle speed to 35 km/h (22 MPH).

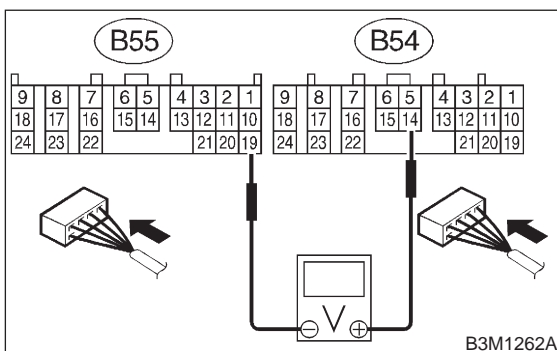
NOTE:

The speed difference between front and rear wheels may light the ABS warning light, but this indicates no malfunction. When AT control diagnosis is finished, perform the ABS memory clearance procedure of on-board diagnostics system. <Ref. to 4-4 [T6D2].>

- 5) Measure voltage between TCM connector terminals.

Connector & terminal

(B54) No. 14 (+) — (B55) No. 19 (-):



CHECK : Is the voltage less than 1 V?

YES : Go to step 8M8.

NO : Go to step 8M9.

8M8 : CHECK OUTPUT SIGNAL EMITTED FROM TCM.

- 1) Move selector lever to "D", and slowly increase vehicle speed to 65 km/h (41 MPH).

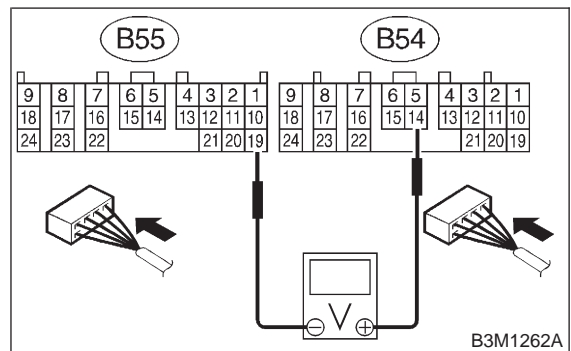
NOTE:

The speed difference between front and rear wheels may light the ABS warning light, but this indicates no malfunction. When AT control diagnosis is finished, perform the ABS memory clearance procedure of on-board diagnostics system. <Ref. to 4-4 [T6D2].>

- 2) Measure voltage between TCM connector terminals.

Connector & terminal

(B54) No. 14 (+) — (B55) No. 19 (-):



CHECK : Is the voltage more than 9 V?

YES : Even if "AT OIL TEMP" lights up, the circuit has returned to a normal condition at this time. A temporary poor contact of the connector or harness may be the cause. Repair harness or contact in the TCM.

NO : Go to step 8M9.

8M9 : CHECK POOR CONTACT.

CHECK : Is there poor contact in low clutch timing solenoid circuit?

YES : Repair poor contact.

NO : Replace TCM. <Ref. to 3-2 [W22A0].>

3-2 [T8M10] AUTOMATIC TRANSMISSION AND DIFFERENTIAL

8. Diagnostic Chart with Trouble Code

8M10 : CHECK LOW CLUTCH TIMING SOLENOID (IN TRANSMISSION).

- 1) Remove transmission connector from bracket.
- 2) Lift-up or raise the vehicle and support with safety stand.

CAUTION:

On AWD models, raise all wheels off ground.

- 3) Drain automatic transmission fluid.

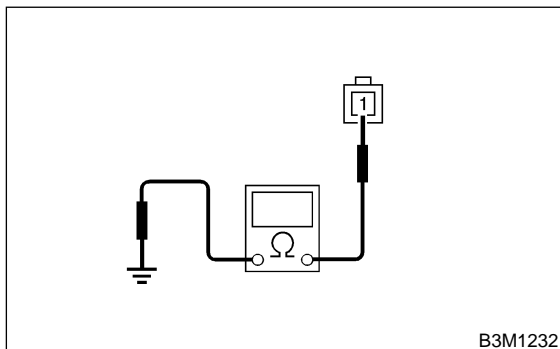
CAUTION:

Do not drain the automatic transmission fluid until it cools down.

- 4) Remove oil pan, and disconnect connector from low clutch timing solenoid.
- 5) Measure resistance between low clutch timing solenoid connector and transmission ground.

Terminal

No. 1 — Transmission ground:



CHECK : Is the resistance between 10 and 16 Ω ?

YES : Go to step 8M11.

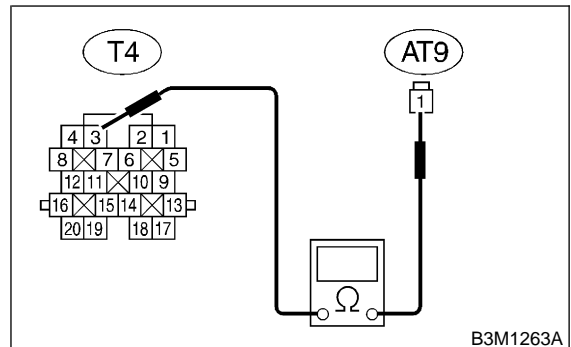
NO : Replace low clutch timing solenoid.
<Ref. to 3-2 [W4A0].>

8M11 : CHECK HARNESS CONNECTOR BETWEEN LOW CLUTCH TIMING SOLENOID AND TRANSMISSION.

Measure resistance of harness between low clutch timing solenoid and transmission connector.

Connector & terminal

(AT9) No. 1 — (T4) No. 3:



CHECK : Is the resistance less than 1 Ω ?

YES : Go to step 8M12.

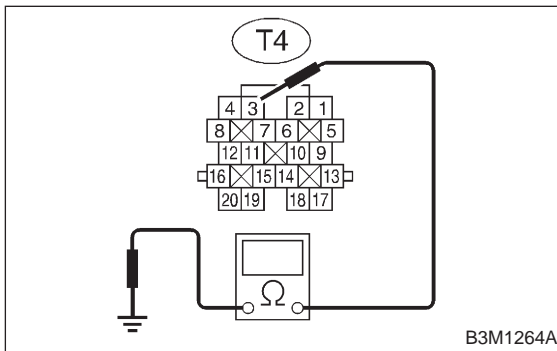
NO : Repair open circuit in harness between low clutch timing solenoid and transmission connector.

8M12 : CHECK HARNESS CONNECTOR BETWEEN LOW CLUTCH TIMING SOLENOID AND TRANSMISSION.

Measure resistance of harness between low clutch timing solenoid connector and transmission ground.

Connector & terminal

(T4) No. 3 — Transmission ground:



- CHECK** : **Is the resistance more than 1 MΩ?**
- YES** : Even if "AT OIL TEMP" lights up, the circuit has returned to a normal condition at this time. A temporary poor contact of the connector or harness may be the cause. Repair harness or connector in low clutch timing solenoid and transmission.
- NO** : Repair short circuit harness between TCM and transmission connector.

3-2 [T8M12] AUTOMATIC TRANSMISSION AND DIFFERENTIAL

8. Diagnostic Chart with Trouble Code

MEMO:

N: TROUBLE CODE 74 — 2-4 BRAKE TIMING SOLENOID —

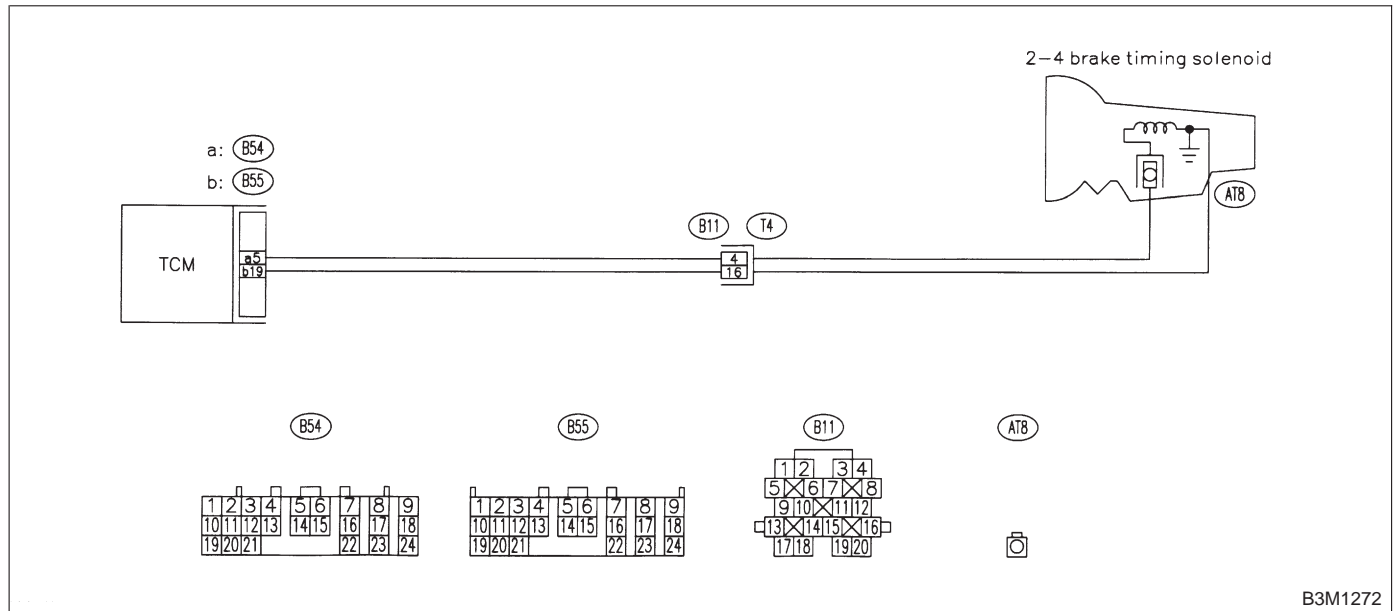
DIAGNOSIS:

Output signal circuit of 2-4 brake timing solenoid is open or shorted.

TROUBLE SYMPTOM:

Excessive shift shock.

WIRING DIAGRAM:



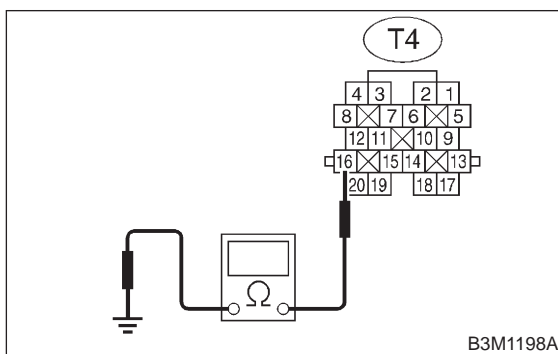
B3M1272

8N1 : CHECK 2-4 BRAKE TIMING SOLENOID GROUND LINE.

- 1) Turn ignition switch to OFF.
- 2) Disconnect connector from transmission.
- 3) Measure resistance between transmission connector and transmission ground.

Connector & terminal

(T4) No. 16 — Chassis ground:



B3M1198A

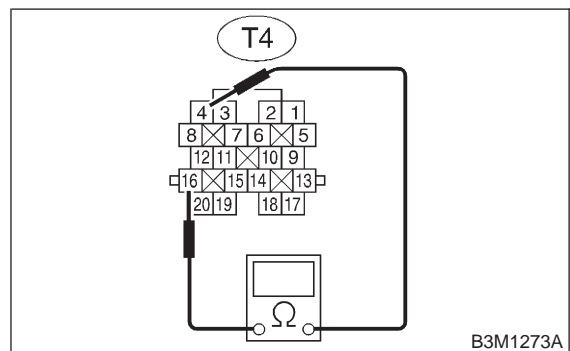
- CHECK** : Is the resistance less than 1 Ω?
- YES** : Go to step 8N2.
- NO** : Repair open circuit in transmission harness.

8N2 : CHECK 2-4 BRAKE TIMING SOLENOID.

Measure resistance between transmission connector terminals.

Connector & terminal

(T4) No. 4 — No. 16:



B3M1273A

- CHECK** : Is the resistance between 10 and 16 Ω?
- YES** : Go to step 8N3.
- NO** : Go to step 8N10.

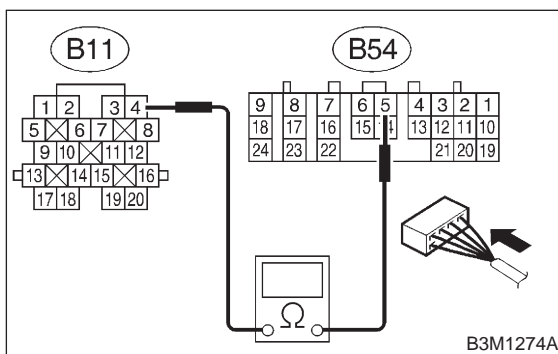
3-2 [T8N3] AUTOMATIC TRANSMISSION AND DIFFERENTIAL

8. Diagnostic Chart with Trouble Code

8N3 : CHECK HARNESS CONNECTOR BETWEEN TCM AND TRANSMISSION.

- 1) Disconnect connector from TCM.
- 2) Measure resistance of harness between TCM and transmission connector.

Connector & terminal
(B54) No. 5 — (B11) No. 4:

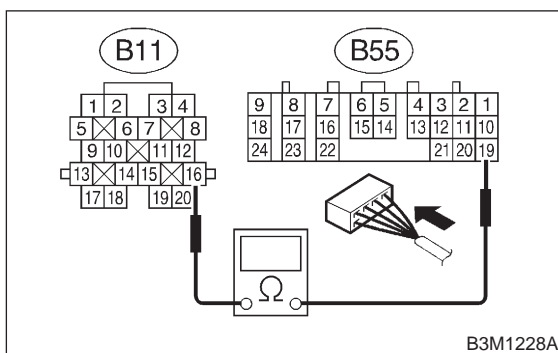


- CHECK** : Is the resistance less than 1 Ω?
YES : Go to step 8N4.
NO : Repair open circuit in harness between TCM and transmission connector.

8N4 : CHECK HARNESS CONNECTOR BETWEEN TCM AND TRANSMISSION.

Measure resistance of harness between TCM and transmission connector.

Connector & terminal
(B55) No. 19 — (B11) No. 16:

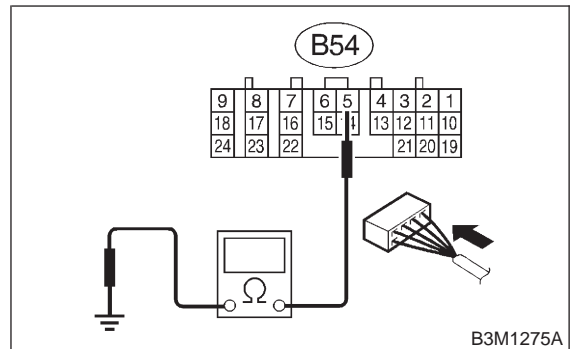


- CHECK** : Is the resistance less than 1 Ω?
YES : Go to step 8N5.
NO : Repair open circuit in harness between TCM and transmission connector.

8N5 : CHECK HARNESS CONNECTOR BETWEEN TCM AND TRANSMISSION.

Measure resistance of harness between TCM connector and transmission ground.

Connector & terminal
(B54) No. 5 — Chassis ground:

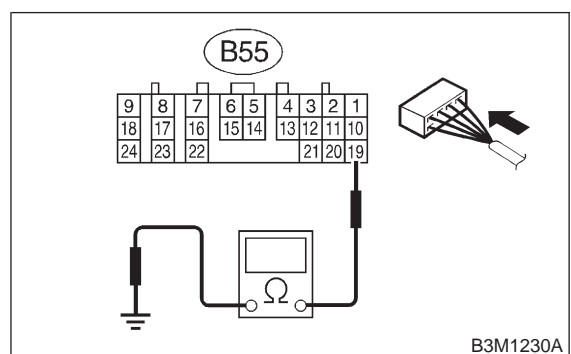


- CHECK** : Is the resistance more than 1 MΩ?
YES : Go to step 8N6.
NO : Repair short circuit in harness between TCM and transmission connector.

8N6 : CHECK HARNESS CONNECTOR BETWEEN TCM AND TRANSMISSION.

Measure resistance of harness between TCM connector and transmission ground.

Connector & terminal
(B55) No. 19 — Chassis ground:



- CHECK** : Is the resistance more than 1 MΩ?
YES : Go to step 8N7.
NO : Repair short circuit in harness between TCM and transmission connector.

8N7 : CHECK OUTPUT SIGNAL EMITTED FROM TCM.

- 1) Connect connectors to TCM and transmission.
- 2) Lift-up or raise the vehicle and support with safety stand.

CAUTION:

On AWD models, raise all wheels off ground.

- 3) Start the engine and warm-up the transmission until ATF temperature is above 80°C (176°F).

NOTE:

If ambient temperature is below 0°C (32°F), drive the vehicle until the ATF reaches its operating temperature.

- 4) Move selector lever to "1", and slowly increase vehicle speed to 10 km/h (6 MPH).

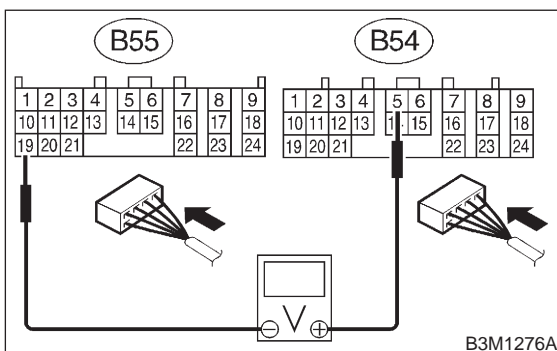
NOTE:

The speed difference between front and rear wheels may light the ABS warning light, but this indicates no malfunction. When AT control diagnosis is finished, perform the ABS memory clearance procedure of on-board diagnostics system. <Ref. to 4-4 [T6D2].>

- 5) Measure voltage between TCM connector terminals.

Connector & terminal

(B54) No. 5 (+) — (B55) No. 19 (-):



CHECK : Is the voltage less than 1 V?

YES : Go to step **8N8**.

NO : Go to step **8N9**.

8N8 : CHECK OUTPUT SIGNAL EMITTED FROM TCM.

- 1) Move selector lever to "D", and slowly increase vehicle speed to 65 km/h (41 MPH).

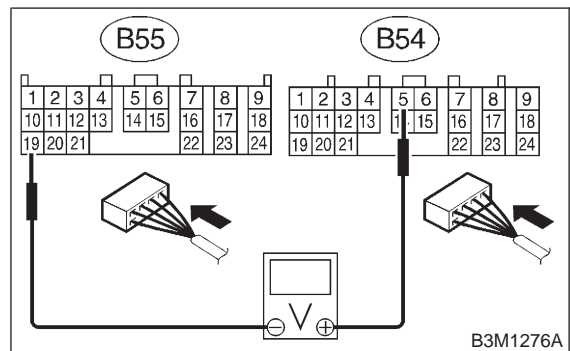
NOTE:

The speed difference between front and rear wheels may light the ABS warning light, but this indicates no malfunction. When AT control diagnosis is finished, perform the ABS memory clearance procedure of on-board diagnostics system. <Ref. to 4-4 [T6D2].>

- 2) Measure voltage between TCM connector terminals.

Connector & terminal

(B54) No. 5 (+) — (B55) No. 19 (-):



CHECK : Is the voltage more than 9 V?

YES : Even if "AT OIL TEMP" lights up, the circuit has returned to a normal condition at this time. A temporary poor contact of the connector or harness may be the cause. Repair harness or contact in the TCM.

NO : Go to step **8N9**.

8N9 : CHECK POOR CONTACT.

CHECK : Is there poor contact in 2-4 brake timing solenoid circuit?

YES : Repair poor contact.

NO : Replace TCM. <Ref. to 3-2 [W22A0].>

3-2 [T8N10] AUTOMATIC TRANSMISSION AND DIFFERENTIAL

8. Diagnostic Chart with Trouble Code

8N10 : CHECK 2-4 BRAKE TIMING SOLENOID (IN TRANSMISSION).

- 1) Remove transmission connector from bracket.
- 2) Lift-up or raise the vehicle and support with safety stand.

CAUTION:

On AWD models, raise all wheels off ground.

- 3) Drain automatic transmission fluid.

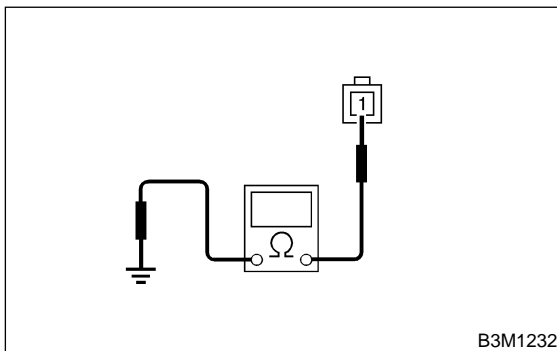
CAUTION:

Do not drain the automatic transmission fluid until it cools down.

- 4) Remove oil pan, and disconnect connector from 2-4 brake timing solenoid.
- 5) Measure resistance between 2-4 brake timing solenoid connector and transmission ground.

Terminal

No. 1 — Transmission ground:



CHECK : Is the resistance between 10 and 16 Ω ?

YES : Go to step 8N11.

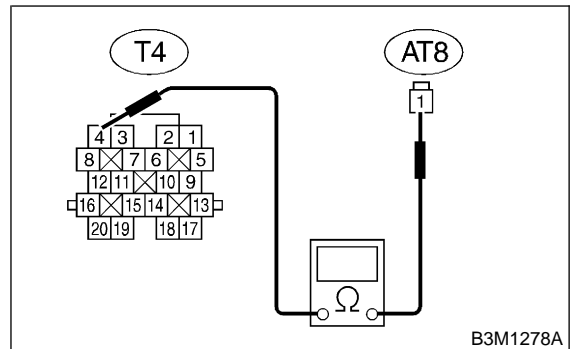
NO : Replace 2-4 brake timing solenoid.
<Ref. to 3-2 [W4A0].>

8N11 : CHECK HARNESS CONNECTOR BETWEEN 2-4 BRAKE TIMING SOLENOID AND TRANSMISSION.

Measure resistance of harness between 2-4 brake timing solenoid and transmission connector.

Connector & terminal

(AT8) No. 1 — (T4) No. 4:



CHECK : Is the resistance less than 1 Ω ?

YES : Go to step 8N12.

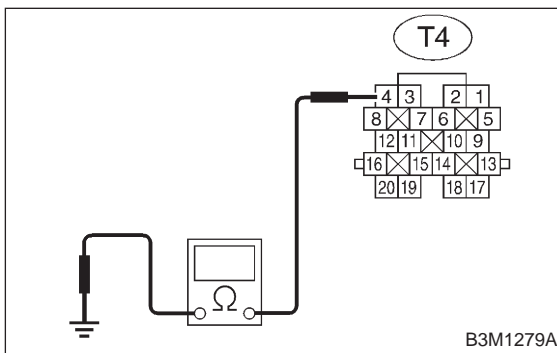
NO : Repair open circuit in harness between 2-4 brake timing solenoid and transmission connector.

8N12 : CHECK HARNESS CONNECTOR BETWEEN 2-4 BRAKE TIMING SOLENOID AND TRANSMISSION.

Measure resistance of harness between 2-4 brake timing solenoid connector and transmission ground.

Connector & terminal

(T4) No. 4 — Transmission ground:



- CHECK** : **Is the resistance more than 1 MΩ?**
- YES** : Even if "AT OIL TEMP" lights up, the circuit has returned to a normal condition at this time. A temporary poor contact of the connector or harness may be the cause. Repair harness or connector in 2-4 brake timing solenoid and transmission.
- NO** : Repair short circuit harness between TCM and transmission connector.

3-2 [T8N12] AUTOMATIC TRANSMISSION AND DIFFERENTIAL
8. Diagnostic Chart with Trouble Code

MEMO:

O: TROUBLE CODE 75 — DUTY SOLENOID A —

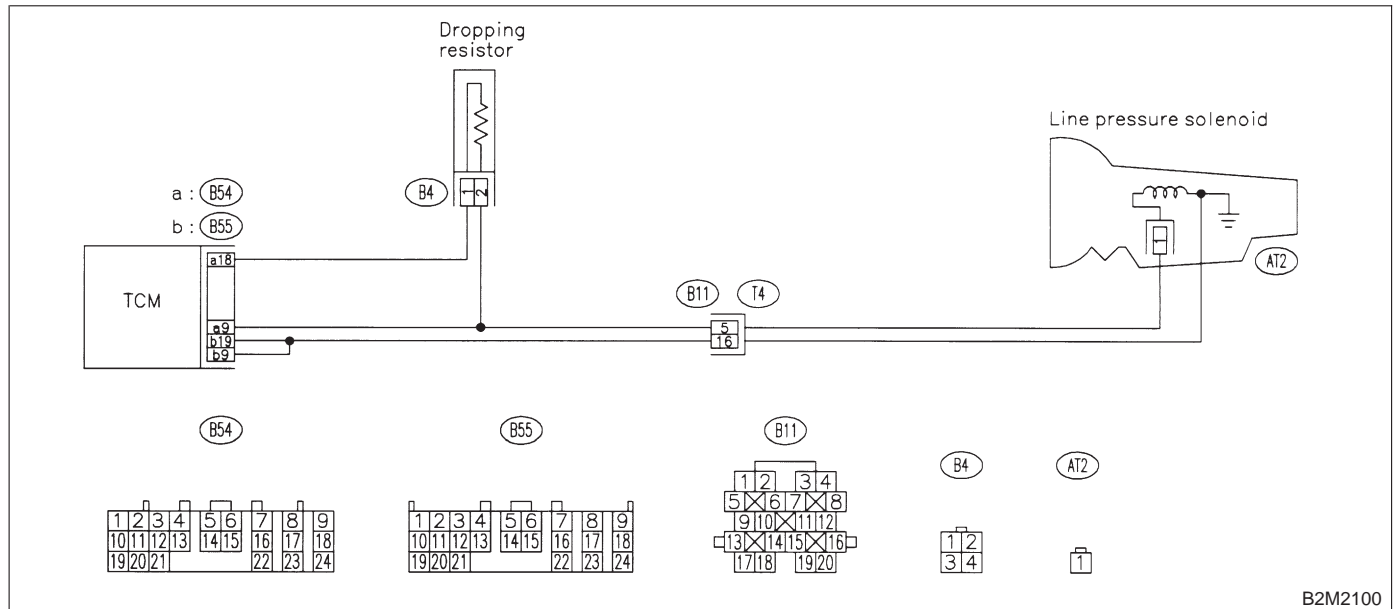
DIAGNOSIS:

Output signal circuit of duty solenoid A or resistor is open or shorted.

TROUBLE SYMPTOM:

Excessive shift shock.

WIRING DIAGRAM:

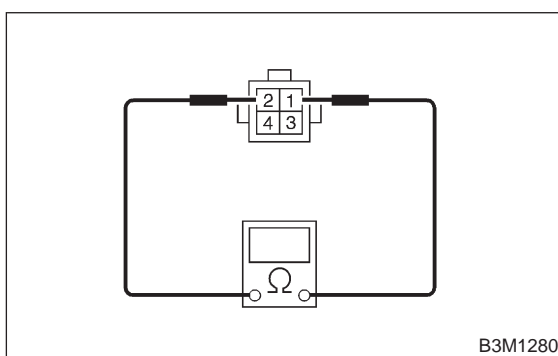


801 : CHECK RESISTOR.

- 1) Turn ignition switch to OFF.
- 2) Disconnect connector from dropping resistor.
- 3) Measure resistance between dropping resistor terminal.

Terminals

No. 1 — No. 2:



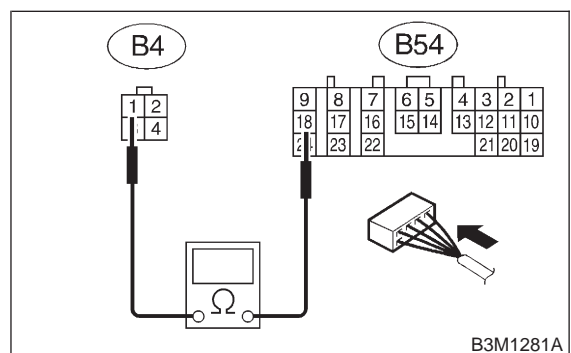
- CHECK** : Is the resistance between 9 and 15 Ω ?
- YES** : Go to step 802.
- NO** : Replace dropping resistor. <Ref. to 3-2 [W23A0].>

802 : CHECK HARNESS CONNECTOR BETWEEN TCM AND DROPPING RESISTOR.

- 1) Disconnect connector from TCM.
- 2) Measure resistance of harness between TCM connector and dropping resistor connector.

Connector & terminal

(B54) No. 18 — (B4) No. 1:



- CHECK** : Is the resistance less than 1 Ω ?
- YES** : Go to step 803.
- NO** : Repair open circuit in harness between TCM and dropping resistor connector.

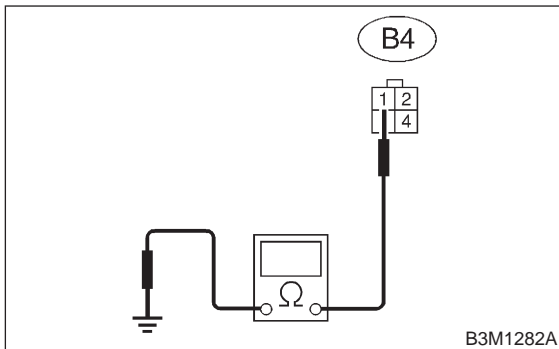
3-2 [T803] AUTOMATIC TRANSMISSION AND DIFFERENTIAL

8. Diagnostic Chart with Trouble Code

803 : CHECK HARNESS CONNECTOR BETWEEN TCM AND DROPPING RESISTOR.

Measure resistance of harness between dropping resistor connector and chassis ground.

Connector & terminal
(B4) No. 1 — Chassis ground:

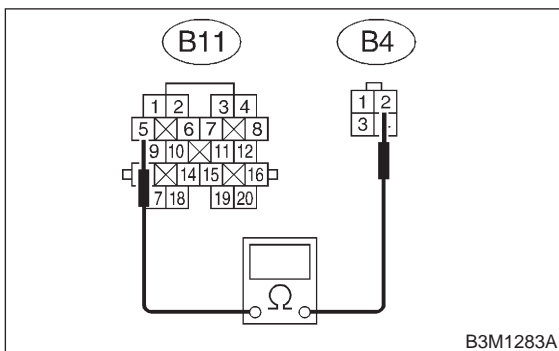


- CHECK** : Is the resistance more than 1 M Ω ?
- YES** : Go to step 804.
- NO** : Repair short circuit in harness between TCM and dropping resistor connector.

804 : CHECK HARNESS CONNECTOR BETWEEN TRANSMISSION AND DROPPING RESISTOR.

- 1) Disconnect connector from transmission.
- 2) Measure resistance of harness between transmission and dropping resistor connector.

Connector & terminal
(B4) No. 2 — (B11) No. 5:

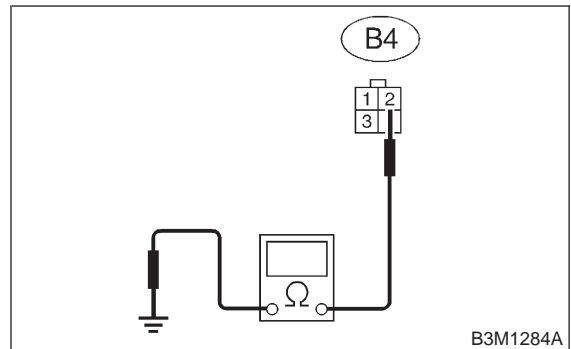


- CHECK** : Is the resistance less than 1 Ω ?
- YES** : Go to step 805.
- NO** : Repair open circuit in harness between dropping resistor and transmission connector.

805 : CHECK HARNESS CONNECTOR BETWEEN TRANSMISSION AND DROPPING RESISTOR.

Measure resistance of harness between dropping resistor connector and chassis ground.

Connector & terminal
(B4) No. 2 — Chassis ground:

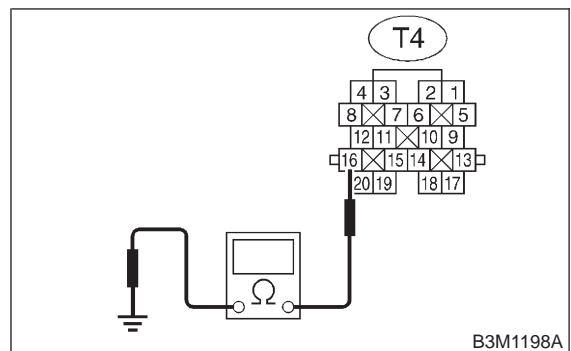


- CHECK** : Is the resistance more than 1 M Ω ?
- YES** : Go to step 806.
- NO** : Repair short circuit in harness between dropping resistor and transmission connector.

806 : CHECK DUTY SOLENOID A GROUND LINE.

Measure resistance between transmission connector and transmission ground.

Connector & terminal
(T4) No. 16 — Transmission ground:



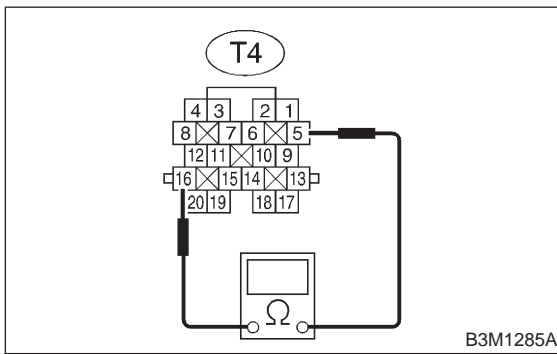
- CHECK** : Is the resistance less than 1 Ω ?
- YES** : Go to step 807.
- NO** : Repair open circuit in transmission harness.

807 : CHECK DUTY SOLENOID A.

Measure resistance between transmission connector receptacle's terminals.

Terminal

(T4) No. 5 — No. 16:



CHECK : *Is the resistance between 2.0 and 4.5 Ω ?*

YES : Go to step **808**.

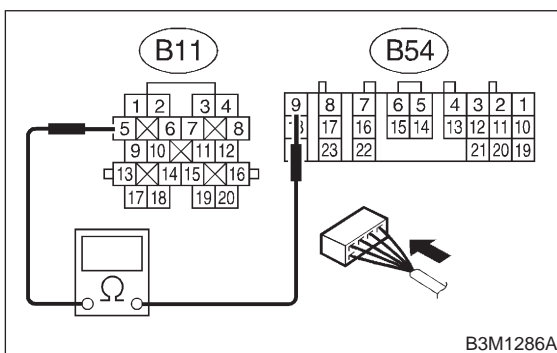
NO : Go to step **8020**.

808 : CHECK HARNESS CONNECTOR BETWEEN TCM AND TRANSMISSION.

Measure resistance of harness between TCM and transmission connector.

Connector & terminal

(B54) No. 9 — (B11) No. 5:



CHECK : *Is the resistance less than 1 Ω ?*

YES : Go to step **809**.

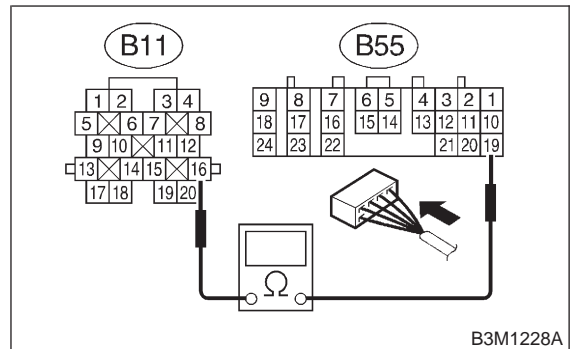
NO : Repair open circuit in harness between TCM and transmission connector.

809 : CHECK HARNESS CONNECTOR BETWEEN TCM AND TRANSMISSION.

Measure resistance of harness between TCM and transmission connector.

Connector & terminal

(B55) No. 19 — (B11) No. 16:



CHECK : *Is the resistance less than 1 Ω ?*

YES : Go to step **8010**.

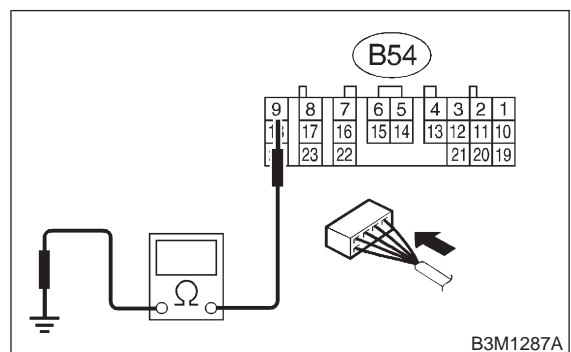
NO : Repair open circuit in harness between TCM and transmission connector.

8010 : CHECK HARNESS CONNECTOR BETWEEN TCM AND CHASSIS GROUND.

Measure resistance of harness between TCM and chassis ground.

Connector & terminal

(B54) No. 9 — Chassis ground:



CHECK : *Is the resistance more than 1 $M\Omega$?*

YES : Go to step **8011**.

NO : Repair short circuit in harness between TCM and transmission connector.

3-2 [T8011] AUTOMATIC TRANSMISSION AND DIFFERENTIAL

8. Diagnostic Chart with Trouble Code

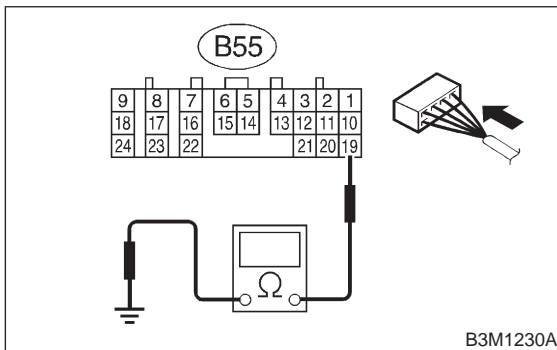
8011 : PREPARE SUBARU SELECT MONITOR.

- CHECK** : *Do you have a Subaru Select Monitor?*
- YES** : Go to step **8017**.
- NO** : Go to step **8012**.

8012 : CHECK HARNESS CONNECTOR BETWEEN TCM AND CHASSIS GROUND.

Measure resistance of harness between TCM and chassis ground.

Connector & terminal
(B55) No. 19 — Chassis ground:



- CHECK** : *Is the resistance more than 1 MΩ?*
- YES** : Go to step **8013**.
- NO** : Repair short circuit harness between TCM and transmission connector.

8013 : CHECK OUTPUT SIGNAL EMITTED FROM TCM.

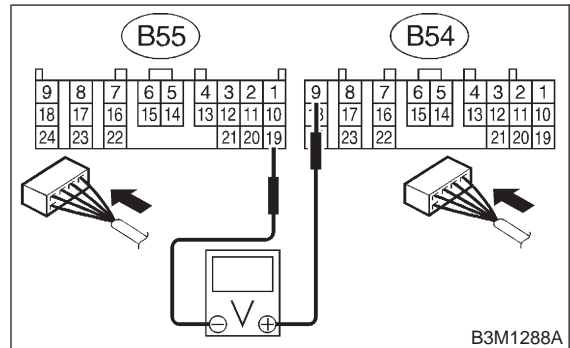
- 1) Connect all connectors.
- 2) Start the engine and warm-up the transmission until ATF temperature is above 80°C (176°F).

NOTE:

If ambient temperature is below 0°C (32°F), drive the vehicle until the ATF reaches its operating temperature.

- 3) Turn ignition switch to ON (engine OFF).
- 4) Move selector lever to "N".
- 5) Measure voltage between TCM connector terminal.

Connector & terminal
(B54) No. 9 (+) — (B55) No. 19 (-):

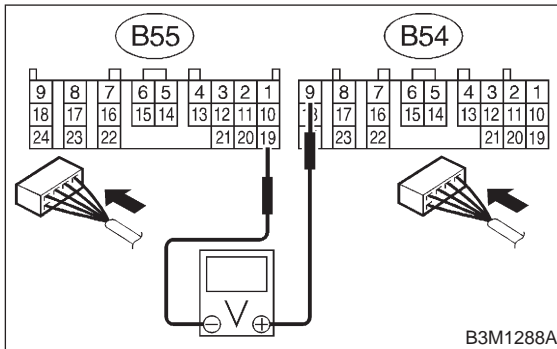


- CHECK** : *Is the voltage between 1.5 and 4.0 V with throttle fully closed?*
- YES** : Go to step **8014**.
- NO** : Go to step **8019**.

8014 : CHECK OUTPUT SIGNAL EMITTED FROM TCM.

Measure voltage between TCM connector terminal.

Connector & terminal
(B54) No. 9 (+) — (B55) No. 19 (-):

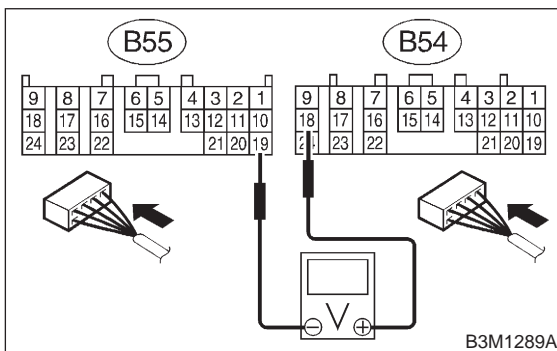


- CHECK** : Is the voltage less than 1 V with throttle fully open?
- YES** : Go to step 8015.
- NO** : Go to step 8019.

8015 : CHECK OUTPUT SIGNAL EMITTED FROM TCM.

Measure voltage between TCM connector terminal.

Connector & terminal
(B54) No. 18 (+) — (B55) No. 19 (-):

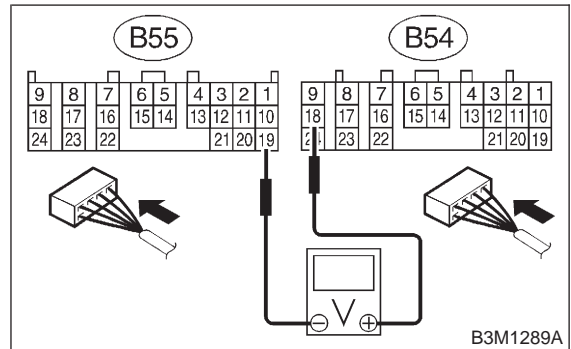


- CHECK** : Is the voltage more than 8.5 V with throttle fully closed?
- YES** : Go to step 8016.
- NO** : Go to step 8019.

8016 : CHECK OUTPUT SIGNAL EMITTED FROM TCM.

Measure voltage between TCM connector terminal.

Connector & terminal
(B54) No. 18 (+) — (B55) No. 19:



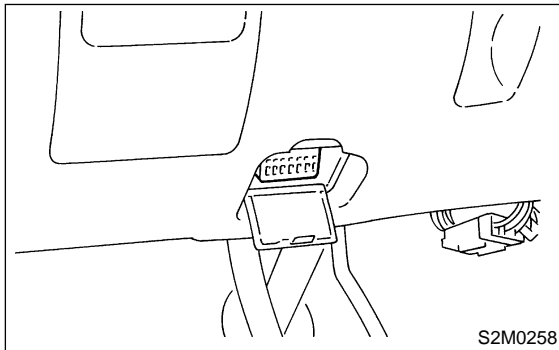
- CHECK** : Is the voltage less than 1 V with throttle fully open?
- YES** : Even if "AT OIL TEMP" lights up, the circuit has returned to a normal condition at this time. A temporary poor contact of the connector or harness may be the cause. Repair harness or connector in TCM.
- NO** : Go to step 8019.

3-2 [T8017] AUTOMATIC TRANSMISSION AND DIFFERENTIAL

8. Diagnostic Chart with Trouble Code

8017 : CHECK OUTPUT SIGNAL EMITTED FROM TCM USING SUBARU SELECT MONITOR.

- 1) Connect connectors to TCM and transmission.
- 2) Connect Subaru Select Monitor to data link connector.



- 3) Start the engine, and turn Subaru Select Monitor switch to ON.
- 4) Warm-up the transmission until ATF temperature is above 80°C (176°F).

NOTE:

If ambient temperature is below 0°C (32°F), drive the vehicle until the ATF reaches its operating temperature.

- 5) Stop the engine and turn ignition switch to ON (engine OFF).
- 6) Move selector lever to "N".
- 7) Read data of duty solenoid A using Subaru Select Monitor.
- Line pressure duty is indicated in "%".
- 8) Throttle is fully closed.

CHECK : **Is the value 100%?**

YES : Go to step **8018**.

NO : Go to step **8019**.

8018 : CHECK OUTPUT SIGNAL EMITTED FROM TCM USING SUBARU SELECT MONITOR.

- 1) Turn ignition switch to ON (Engine OFF).
- 2) Throttle is fully open.

CHECK : **Is the value between 10 and 20%?**

YES : Even if "AT OIL TEMP" lights up, the circuit has returned to a normal condition at this time. A temporary poor contact of the connector or harness may be the cause. Repair harness or connector in TCM.

NO : Go to step **8019**.

8019 : CHECK POOR CONTACT.

CHECK : **Is there poor contact in duty solenoid A circuit?**

YES : Repair poor contact.

NO : Replace TCM. <Ref. to 3-2 [W22A0].>

8020 : CHECK DUTY SOLENOID A (IN TRANSMISSION).

- 1) Remove transmission connector from bracket.
- 2) Drain automatic transmission fluid.

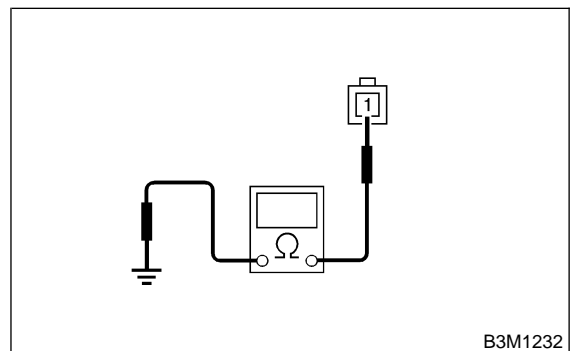
CAUTION:

Do not drain the automatic transmission fluid until it cools down.

- 3) Remove oil pan, and disconnect connector from duty solenoid A.
- 4) Measure resistance between duty solenoid A connector and transmission ground.

Terminal

No. 1 — Transmission ground:



CHECK : **Is the resistance between 2.0 and 4.5 Ω?**

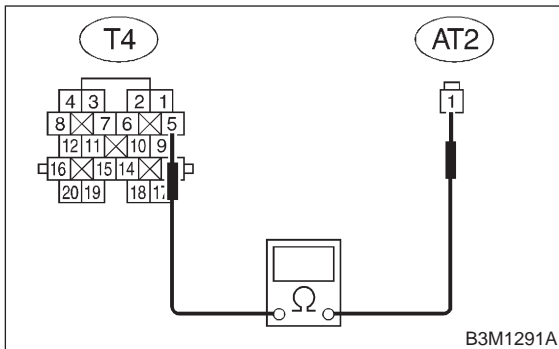
YES : Go to step **8021**.

NO : Replace duty solenoid A. <Ref. to 3-2 [W4A0].>

8O21 : CHECK HARNESS CONNECTOR BETWEEN TRANSMISSION AND DUTY SOLENOID A.

Measure resistance of harness between duty solenoid A and transmission connector.

Connector & terminal
(T4) No. 5 — (AT2) No. 1:

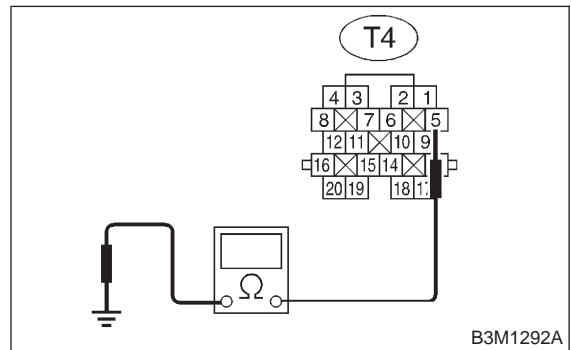


- CHECK** : *Is the resistance less than 1 Ω?*
- YES** : Go to step **8O22**.
- NO** : Repair open circuit in harness between duty solenoid A and transmission connector.

8O22 : CHECK HARNESS CONNECTOR BETWEEN TRANSMISSION AND DUTY SOLENOID A.

Measure resistance of harness between transmission connector and transmission ground.

Connector & terminal
(T4) No. 5 — Transmission ground:



- CHECK** : *Is the resistance more than 1 MΩ?*
- YES** : Even if "AT OIL TEMP" lights up, the circuit has returned to a normal condition at this time. A temporary poor contact of the connector or harness may be the cause. Repair harness or connector in duty solenoid A and transmission connector.
- NO** : Repair short circuit in harness between duty solenoid A and transmission connector.

3-2 [T8022] AUTOMATIC TRANSMISSION AND DIFFERENTIAL
8. Diagnostic Chart with Trouble Code

MEMO:

P: TROUBLE CODE 76 — DUTY SOLENOID D —

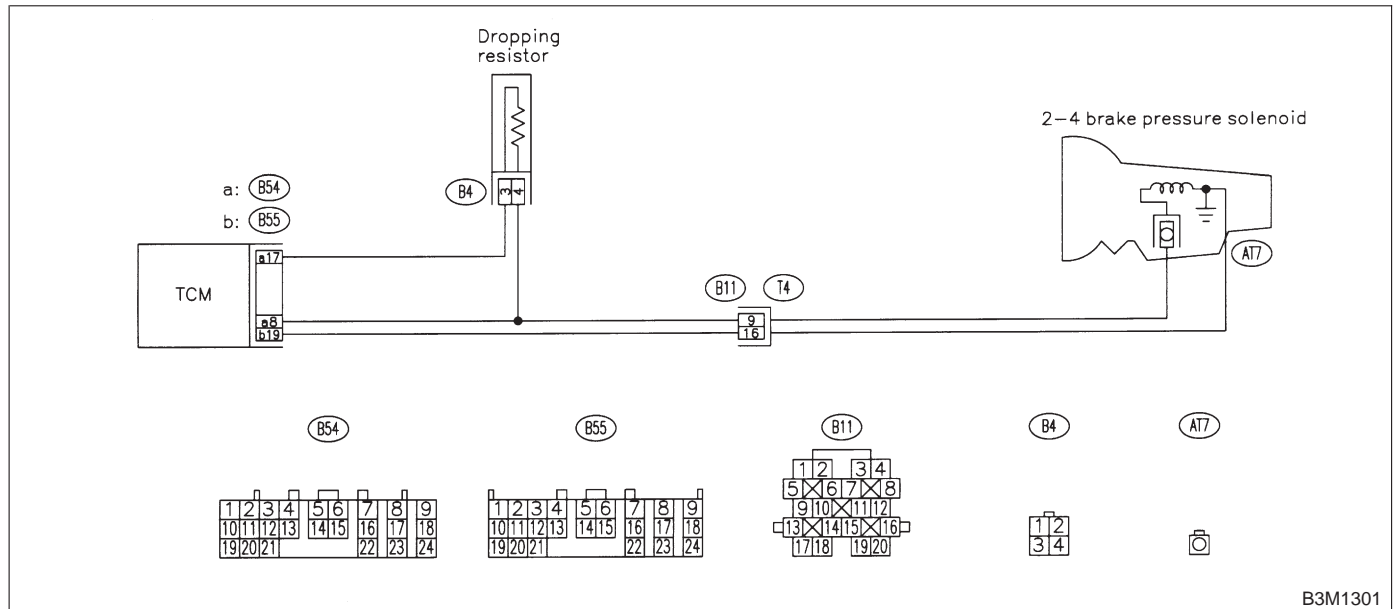
DIAGNOSIS:

Output signal circuit of duty solenoid D is open or shorted.

TROUBLE SYMPTOM:

Excessive shift shock.

WIRING DIAGRAM:



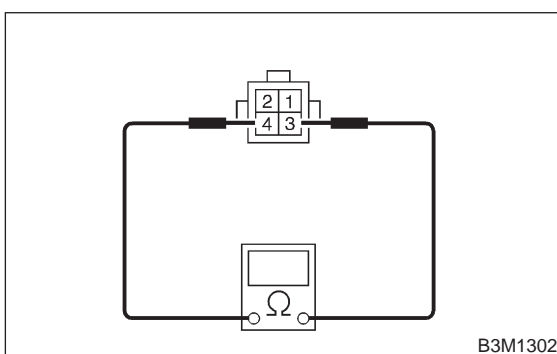
B3M1301

8P1 : CHECK RESISTOR.

- 1) Turn ignition switch to OFF.
- 2) Disconnect connector from dropping resistor.
- 3) Measure resistance between dropping resistor terminal.

Terminals

No. 3 — No. 4:



B3M1302

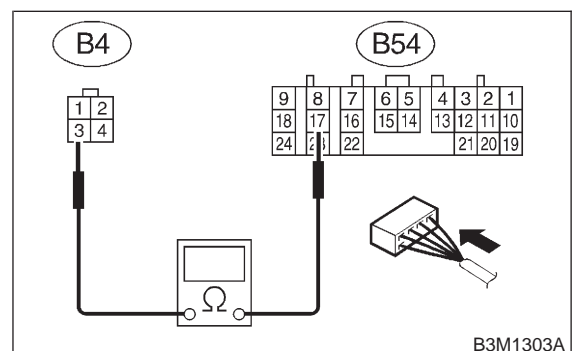
- CHECK** : Is the resistance between 9 and 15 Ω ?
- YES** : Go to step **8P2**.
- NO** : Replace dropping resistor. <Ref. to 3-2 [W23A0].>

8P2 : CHECK HARNESS CONNECTOR BETWEEN TCM AND DROPPING RESISTOR.

- 1) Disconnect connector from TCM.
- 2) Measure resistance of harness between TCM connector and dropping resistor connector.

Connector & terminal

(B54) No. 17 — (B4) No. 3:



B3M1303A

- CHECK** : Is the resistance less than 1 Ω ?
- YES** : Go to step **8P3**.
- NO** : Repair open circuit in harness between TCM and dropping resistor connector.

3-2 [T8P3] AUTOMATIC TRANSMISSION AND DIFFERENTIAL

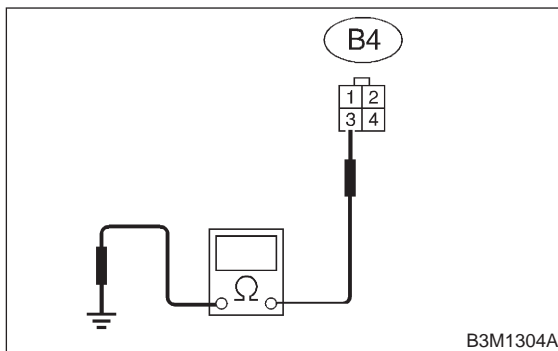
8. Diagnostic Chart with Trouble Code

8P3 : CHECK HARNESS CONNECTOR BETWEEN TCM AND DROPPING RESISTOR.

Measure resistance of harness between dropping resistor connector and chassis ground.

Connector & terminal

(B4) No. 3 — Chassis ground:



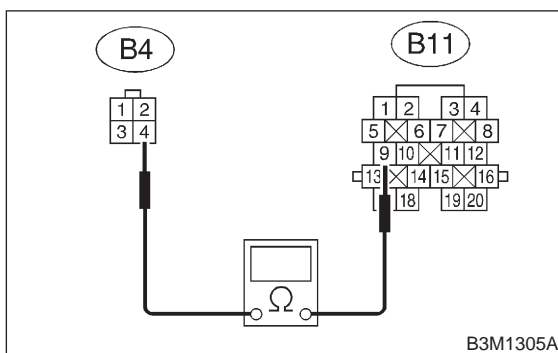
- CHECK** : Is the resistance more than 1 MΩ?
YES : Go to step 8P4.
NO : Repair short circuit in harness between TCM and dropping resistor connector.

8P4 : CHECK HARNESS CONNECTOR BETWEEN TRANSMISSION AND DROPPING RESISTOR.

- 1) Disconnect connector from transmission.
- 2) Measure resistance of harness between transmission and dropping resistor connector.

Connector & terminal

(B4) No. 4 — (B11) No. 9:



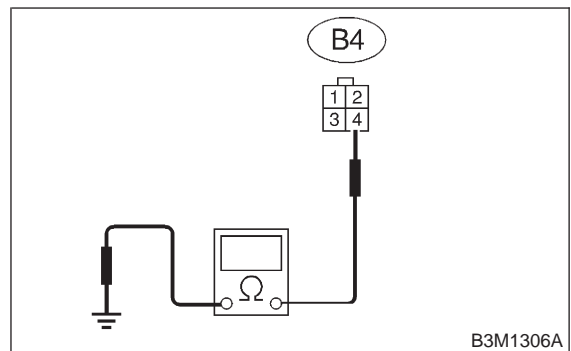
- CHECK** : Is the resistance less than 1 Ω?
YES : Go to step 8P5.
NO : Repair open circuit in harness between dropping resistor and transmission connector.

8P5 : CHECK HARNESS CONNECTOR BETWEEN TRANSMISSION AND DROPPING RESISTOR.

Measure resistance of harness between dropping resistor connector and chassis ground.

Connector & terminal

(B4) No. 4 — Chassis ground:



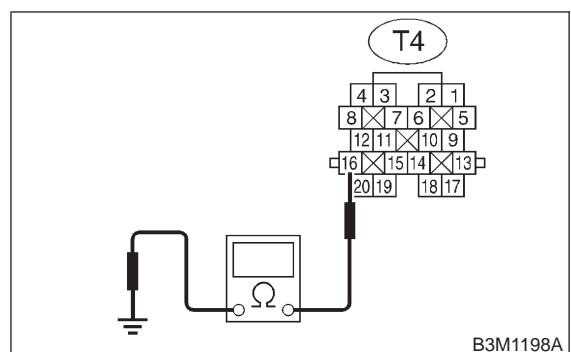
- CHECK** : Is the resistance more than 1 MΩ?
YES : Go to step 8P6.
NO : Repair short circuit in harness between dropping resistor and transmission connector.

8P6 : CHECK DUTY SOLENOID D GROUND LINE.

Measure resistance between transmission connector and transmission ground.

Connector & terminal

(T4) No. 16 — Transmission ground:



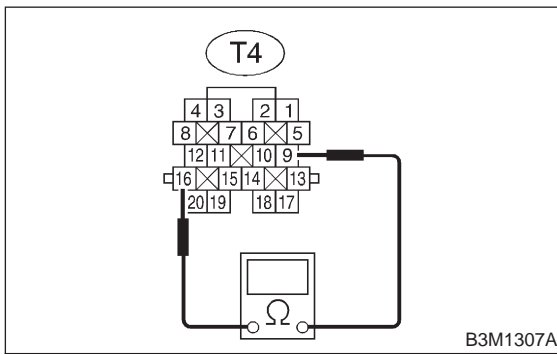
- CHECK** : Is the resistance less than 1 Ω?
YES : Go to step 8P7.
NO : Repair open circuit in transmission harness.

8P7 : CHECK DUTY SOLENOID D.

Measure resistance between transmission connector receptacle's terminals.

Terminal

(T4) No. 16 — No. 9:



CHECK : *Is the resistance between 2.0 and 4.5 Ω ?*

YES : Go to step 8P8.

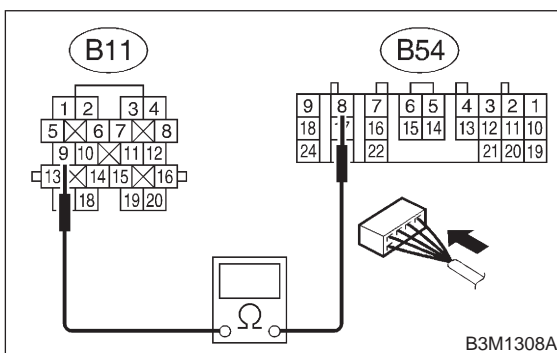
NO : Go to step 8P20.

8P8 : CHECK HARNESS CONNECTOR BETWEEN TCM AND TRANSMISSION.

Measure resistance of harness between TCM and transmission connector.

Connector & terminal

(B54) No. 8 — (B11) No. 9:



CHECK : *Is the resistance less than 1 Ω ?*

YES : Go to step 8P9.

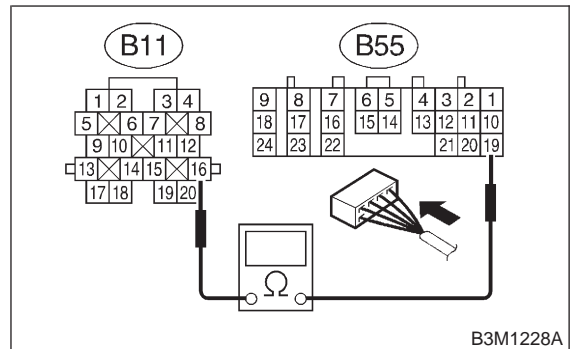
NO : Repair open circuit in harness between TCM and transmission connector.

8P9 : CHECK HARNESS CONNECTOR BETWEEN TCM AND TRANSMISSION.

Measure resistance of harness between TCM and transmission connector.

Connector & terminal

(B55) No. 19 — (B11) No. 16:



CHECK : *Is the resistance less than 1 Ω ?*

YES : Go to step 8P10.

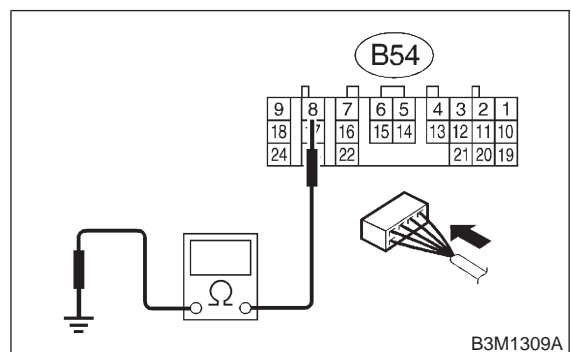
NO : Repair open circuit in harness between TCM and transmission connector.

8P10 : CHECK HARNESS CONNECTOR BETWEEN TCM AND CHASSIS GROUND.

Measure resistance of harness between TCM and chassis ground.

Connector & terminal

(B54) No. 8 — Chassis ground:



CHECK : *Is the resistance more than 1 M Ω ?*

YES : Go to step 8P11.

NO : Repair short circuit in harness between TCM and transmission connector.

3-2 [T8P11] AUTOMATIC TRANSMISSION AND DIFFERENTIAL

8. Diagnostic Chart with Trouble Code

8P11 : PREPARE SUBARU SELECT MONITOR.

CHECK : *Do you have a Subaru Select Monitor?*

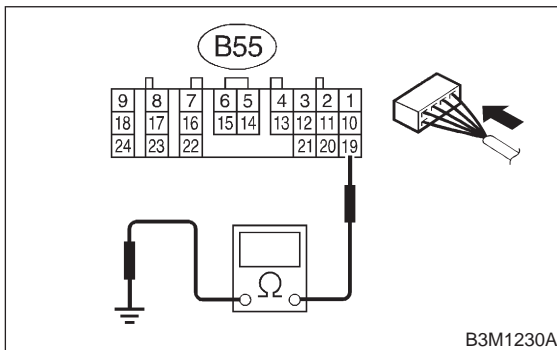
YES : Go to step 8P17.

NO : Go to step 8P12.

8P12 : CHECK HARNESS CONNECTOR BETWEEN TCM AND CHASSIS GROUND.

Measure resistance of harness between TCM and chassis ground.

Connector & terminal
(B55) No. 19 — Chassis ground:



CHECK : *Is the resistance more than 1 MΩ?*

YES : Go to step 8P13.

NO : Repair short circuit harness between TCM and transmission connector.

8P13 : CHECK OUTPUT SIGNAL EMITTED FROM TCM.

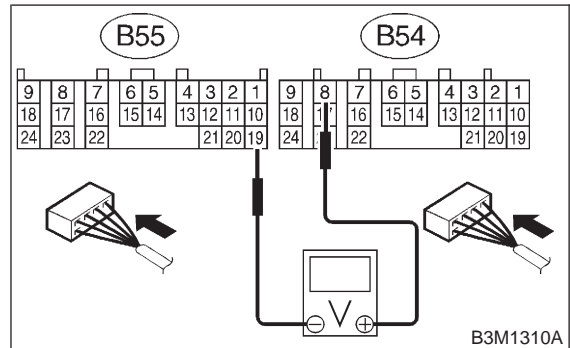
- 1) Connect all connectors.
- 2) Start the engine and warm-up the transmission until ATF temperature is above 80°C (176°F).

NOTE:

If ambient temperature is below 0°C (32°F), drive the vehicle until the ATF reaches its operating temperature.

- 3) Turn ignition switch to ON (engine OFF).
- 4) Move selector lever to "N".
- 5) Measure voltage between TCM connector terminal.

Connector & terminal
(B54) No. 8 (+) — (B55) No. 19 (-):



CHECK : *Is the voltage between 1.5 and 4.0 V with throttle fully closed?*

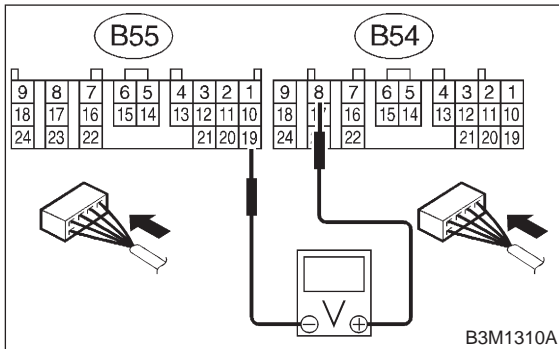
YES : Go to step 8P14.

NO : Go to step 8P19.

8P14 : CHECK OUTPUT SIGNAL EMITTED FROM TCM.

Measure voltage between TCM connector terminal.

Connector & terminal
(B54) No. 8 (+) — (B55) No. 19 (-):

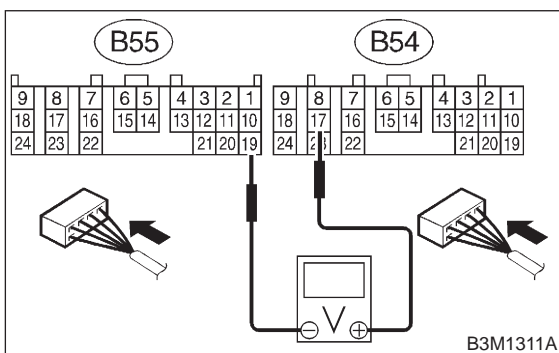


- CHECK** : Is the voltage less than 1 V with throttle fully open?
- YES** : Go to step 8P15.
- NO** : Go to step 8P19.

8P15 : CHECK OUTPUT SIGNAL EMITTED FROM TCM.

Measure voltage between TCM connector terminal.

Connector & terminal
(B54) No. 17 (+) — (B55) No. 19 (-):

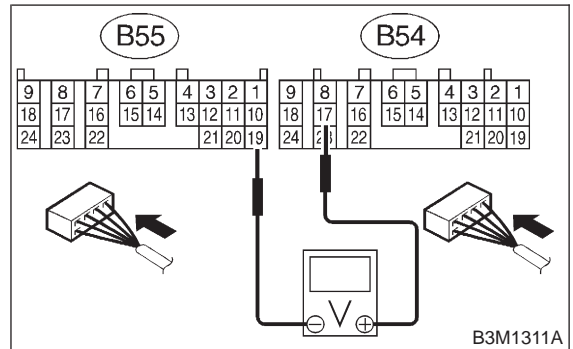


- CHECK** : Is the voltage more than 8.5 V with throttle fully closed?
- YES** : Go to step 8P16.
- NO** : Go to step 8P19.

8P16 : CHECK OUTPUT SIGNAL EMITTED FROM TCM.

Measure voltage between TCM connector terminal.

Connector & terminal
(B54) No. 17 (+) — (B55) No. 19 (-):



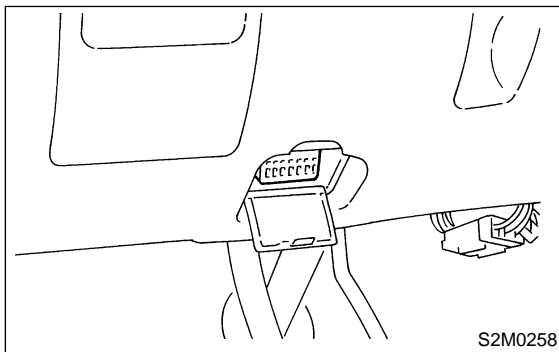
- CHECK** : Is the voltage less than 1 V with throttle fully open?
- YES** : Even if "AT OIL TEMP" lights up, the circuit has returned to a normal condition at this time. A temporary poor contact of the connector or harness may be the cause. Repair harness or connector in TCM.
- NO** : Go to step 8P19.

3-2 [T8P17] AUTOMATIC TRANSMISSION AND DIFFERENTIAL

8. Diagnostic Chart with Trouble Code

8P17 : CHECK OUTPUT SIGNAL EMITTED FROM TCM USING SUBARU SELECT MONITOR.

- 1) Connect all connectors.
- 2) Connect Subaru Select Monitor to data link connector.



- 3) Start the engine, and turn Subaru Select Monitor switch to ON.
- 4) Warm-up the transmission until ATF temperature is above 80°C (176°F).

NOTE:

If ambient temperature is below 0°C (32°F), drive the vehicle until the ATF reaches its operating temperature.

- 5) Stop the engine and turn ignition switch to ON (engine OFF).
- 6) Move selector lever to "N".
- 7) Read data of duty solenoid D using Subaru Select Monitor.
- Line pressure duty is indicated in "%".
- 8) Throttle is fully closed.

- CHECK** : **Is the value 100%?**
YES : Go to step **8P18**.
NO : Go to step **8P19**.

8P18 : CHECK OUTPUT SIGNAL EMITTED FROM TCM USING SUBARU SELECT MONITOR.

- 1) Turn ignition switch to ON (Engine OFF).
- 2) Throttle is fully open.

- CHECK** : **Is the value between 10 and 20%?**
YES : Even if "AT OIL TEMP" lights up, the circuit has returned to a normal condition at this time. A temporary poor contact of the connector or harness may be the cause. Repair harness or connector in TCM.
NO : Go to step **8P19**.

8P19 : CHECK POOR CONTACT.

- CHECK** : **Is there poor contact in duty solenoid A circuit?**
YES : Repair poor contact.
NO : Replace TCM. <Ref. to 3-2 [W22A0].>

8P20 : CHECK DUTY SOLENOID D (IN TRANSMISSION).

- 1) Remove transmission connector from bracket.
- 2) Drain automatic transmission fluid.

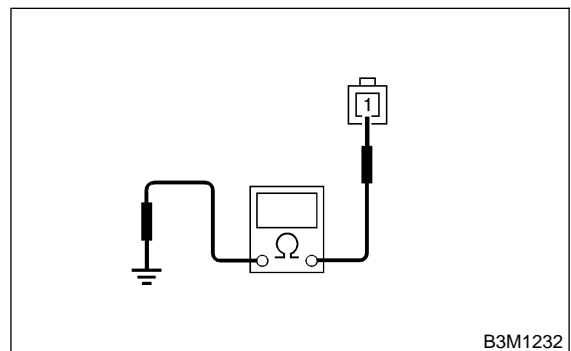
CAUTION:

Do not drain the automatic transmission fluid until it cools down.

- 3) Remove oil pan, and disconnect connector from duty solenoid D.
- 4) Measure resistance between duty solenoid D connector and transmission ground.

Terminal

No. 1 — Transmission ground:

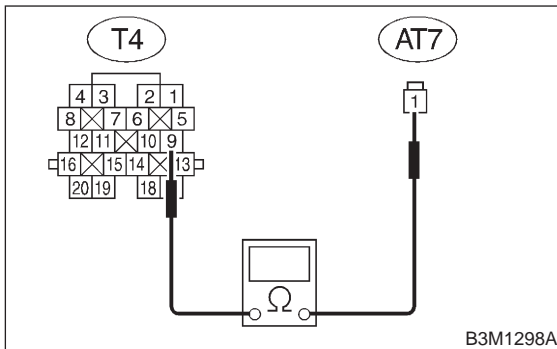


- CHECK** : **Is the resistance between 2.0 and 4.5 Ω?**
YES : Go to step **8P21**.
NO : Replace duty solenoid D. <Ref. to 3-2 [W4A0].>

8P21 : CHECK HARNESS CONNECTOR BETWEEN TRANSMISSION AND DUTY SOLENOID D.

Measure resistance of harness between duty solenoid D and transmission connector.

Connector & terminal
(T4) No. 9 — (AT7) No. 1:

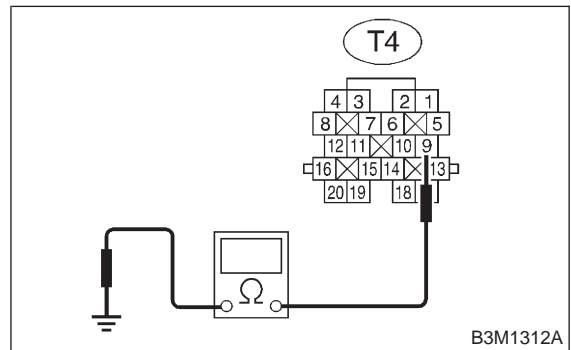


- CHECK** : **Is the resistance less than 1 Ω?**
- YES** : Go to step **8P22**.
- NO** : Repair open circuit in harness between duty solenoid D and transmission connector.

8P22 : CHECK HARNESS CONNECTOR BETWEEN TRANSMISSION AND DUTY SOLENOID D.

Measure resistance of harness between transmission connector and transmission ground.

Connector & terminal
(T4) No. 9 — Transmission ground:



- CHECK** : **Is the resistance more than 1 MΩ?**
- YES** : Even if "AT OIL TEMP" lights up, the circuit has returned to a normal condition at this time. A temporary poor contact of the connector or harness may be the cause. Repair harness or connector in duty solenoid A and transmission connector.
- NO** : Repair short circuit in harness between duty solenoid D and transmission connector.

3-2 [T8P22] AUTOMATIC TRANSMISSION AND DIFFERENTIAL
8. Diagnostic Chart with Trouble Code

MEMO:

Q: TROUBLE CODE 77 — DUTY SOLENOID B —

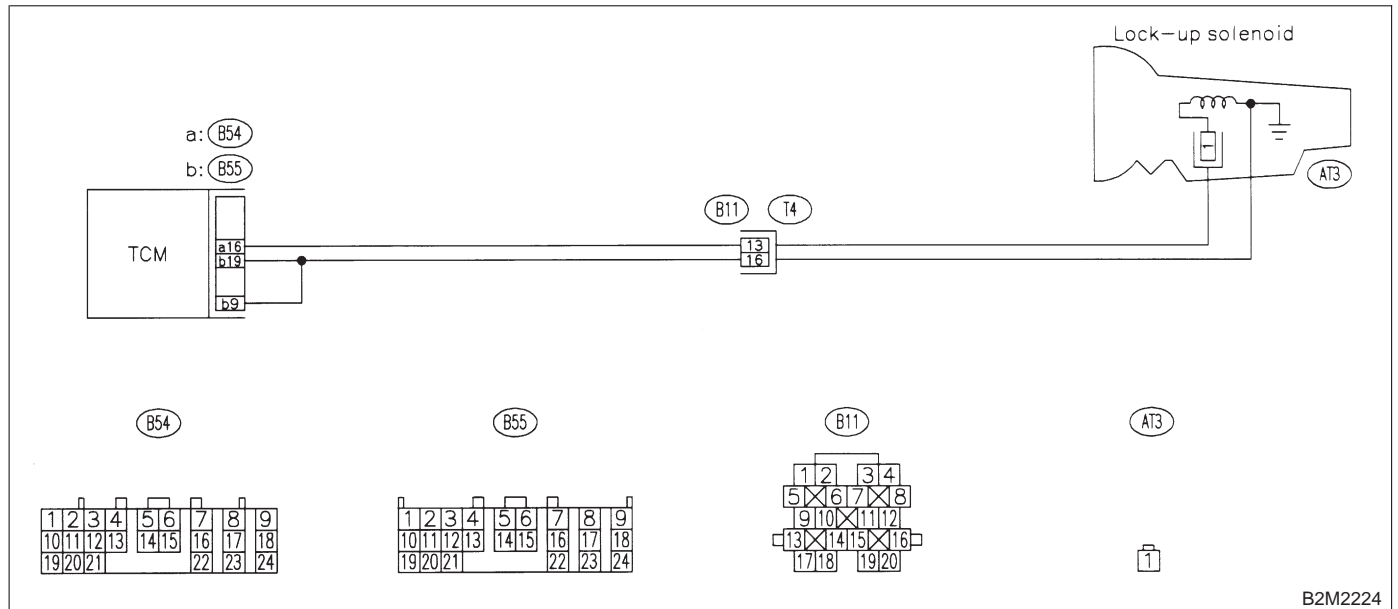
DIAGNOSIS:

Output signal circuit of duty solenoid B is open or shorted.

TROUBLE SYMPTOM:

No "lock-up" (after engine warm-up).

WIRING DIAGRAM:



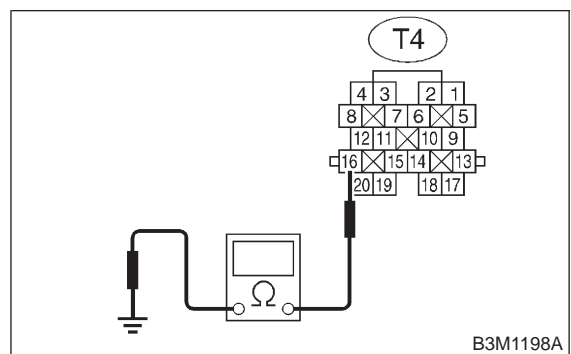
8Q1 : CHECK TROUBLE CODE.

- CHECK** : *Do multiple trouble codes appear in the on-board diagnostics test mode?*
- YES** : Go to another trouble code.
- NO** : Go to step **8Q2**.

8Q2 : CHECK DUTY SOLENOID B GROUND LINE.

- 1) Turn ignition switch to OFF.
- 2) Disconnect connector from transmission.
- 3) Measure resistance between transmission connector receptacle's terminals.

Connector & terminal
(T4) No. 16 — Chassis ground:



- CHECK** : *Is the resistance less than 1 Ω?*
- YES** : Go to step **8Q3**.
- NO** : Repair open circuit in transmission harness.

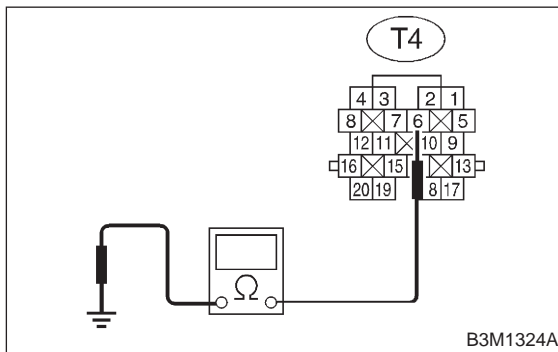
3-2 [T8Q3] AUTOMATIC TRANSMISSION AND DIFFERENTIAL

8. Diagnostic Chart with Trouble Code

8Q3 : CHECK DUTY SOLENOID B.

Measure resistance between transmission connector receptacle's terminals.

Connector & terminal
(T4) No. 13 — No. 16:

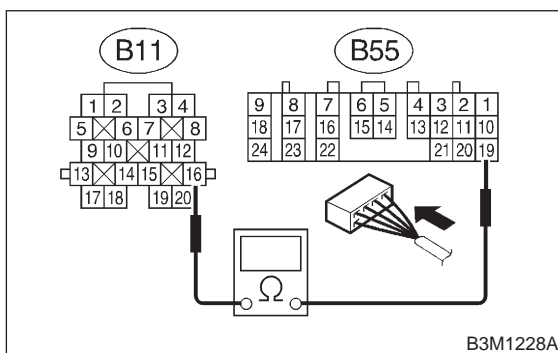


- CHECK** : Is the resistance less than 1 Ω?
YES : Go to step 8Q4.
NO : Go to step 8Q14.

8Q4 : CHECK HARNESS CONNECTOR BETWEEN TCM AND TRANSMISSION.

- 1) Disconnect connector from TCM.
- 2) Measure resistance of harness between TCM and transmission connector.

Connector & terminal
(B55) No. 19 — (B11) No. 16:

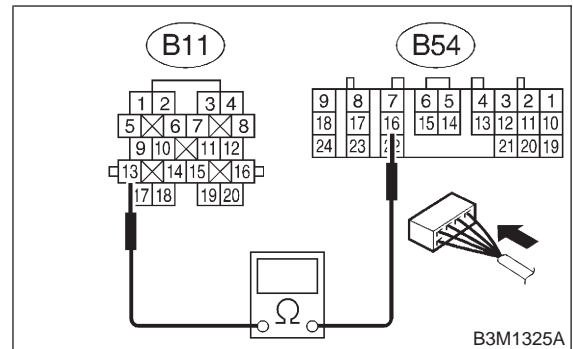


- CHECK** : Is the resistance than 1 Ω?
YES : Go to step 8Q5.
NO : Repair open circuit in harness between TCM and transmission connector.

8Q5 : CHECK HARNESS CONNECTOR BETWEEN TCM AND TRANSMISSION.

Measure resistance of harness connector between TCM and transmission.

Connector & terminal
(B54) No. 16 — (B11) No. 13:

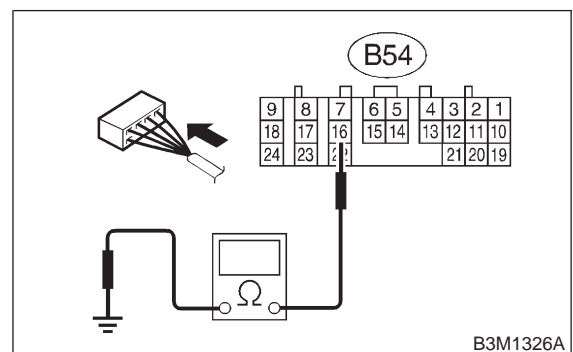


- CHECK** : Is the resistance less than 1 Ω?
YES : Go to step 8Q6.
NO : Repair open circuit in harness between TCM and transmission connector.

8Q6 : CHECK HARNESS CONNECTOR BETWEEN TCM AND TRANSMISSION.

Measure resistance of harness connector between TCM and chassis ground.

Connector & terminal
(B54) No. 16 — Chassis ground:

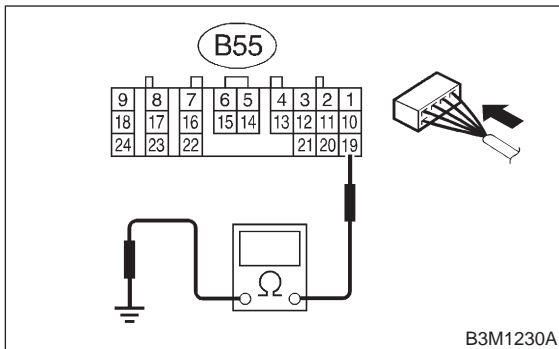


- CHECK** : Is the resistance more than 1 MΩ?
YES : Go to step 8Q7.
NO : Repair short circuit in harness between TCM and transmission connector.

8Q7 : CHECK HARNESS CONNECTOR BETWEEN TCM AND TRANSMISSION.

Measure resistance of harness connector between TCM and chassis ground.

Connector & terminal
(B55) No. 19 — Chassis ground:



- CHECK** : *Is the resistance more than 1 MΩ?*
- YES** : Go to step **8Q8**.
- NO** : Repair short circuit in harness between TCM and transmission connector.

8Q8 : PREPARE SUBARU SELECT MONITOR.

- CHECK** : *Do you have a Subaru Select Monitor?*
- YES** : Go to step **8Q11**.
- NO** : Go to step **8Q9**.

8Q9 : CHECK OUTPUT SIGNAL EMITTED FROM TCM.

- 1) Connect connectors to TCM and transmission.
- 2) Lift-up the vehicle and place safety stand.

CAUTION:
On AWD models, raise all wheels off ground.

- 3) Start the engine and warm-up the transmission until ATF temperature is above 80°C (176°F).

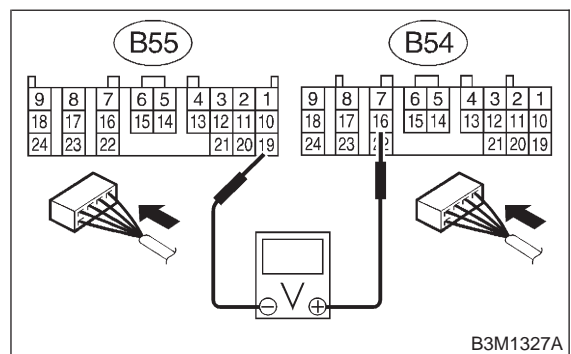
NOTE:
If ambient temperature is below 0°C (32°F), drive the vehicle until the ATF reaches its operating temperature.

- 4) Move selector lever to “D” and slowly increase vehicle speed to 75 km/h (47 MPH). Wheels will lock-up.

NOTE:
The speed difference between front and rear wheels may light the ABS warning light, but this indicates no malfunction. When AT control diagnosis is finished, perform the ABS memory clearance procedure of on-board diagnostics system. <Ref. to 4-4 [T6D2].>

- 5) Measure voltage between TCM connector terminals.

Connector & terminal
(B54) No. 16 (+) — (B55) No. 19 (-):



- CHECK** : *Is the voltage more than 8.5 V?*
- YES** : Go to step **8Q10**.
- NO** : Go to step **8Q13**.

3-2 [T8Q10] AUTOMATIC TRANSMISSION AND DIFFERENTIAL

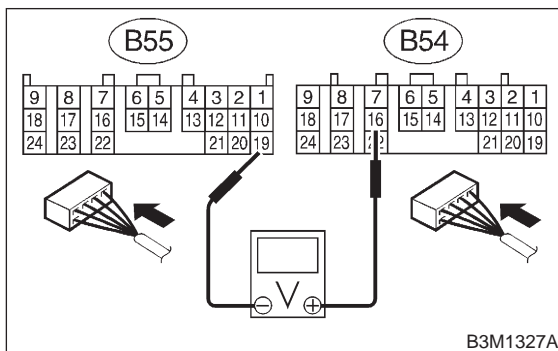
8. Diagnostic Chart with Trouble Code

8Q10 : CHECK OUTPUT SIGNAL EMITTED FROM TCM.

- 1) Return the engine to idling speed and move selector lever to "N".
- 2) Measure voltage between TCM connector terminals.

Connector & terminal

(B54) No. 16 (+) — (B55) No. 19 (-):



CHECK : Is the voltage less than 0.5 V?

YES : Even if "AT OIL TEMP" lights up, the circuit has returned to a normal condition at this time. A temporary poor contact of the connector or harness may be the cause. Repair harness or connector in TCM.

NO : Go to step **8Q13**.

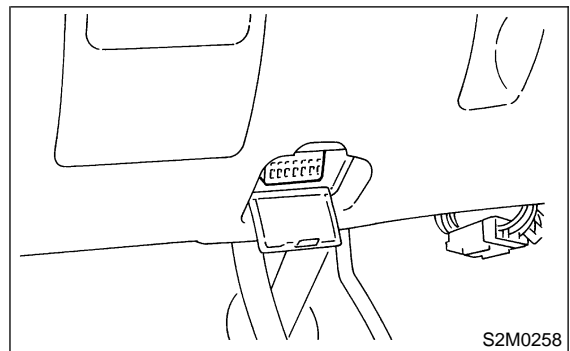
8Q11 : CHECK OUTPUT SIGNAL EMITTED FROM TCM USING SUBARU SELECT MONITOR.

- 1) Connect connectors to TCM and transmission.
- 2) Lift-up the vehicle and place safety stand.

CAUTION:

On AWD models, raise all wheels off ground.

- 3) Connect Subaru Select Monitor to data link connector.



- 4) Start the engine, and turn Subaru Select Monitor switch to ON.
- 5) Start the engine and warm-up the transmission until ATF temperature is above 80°C (176°F).

NOTE:

If ambient temperature is below 0°C (32°F), drive the vehicle until the ATF reaches its operating temperature.

- 6) Read data of duty solenoid B using Subaru Select Monitor.

● Lock-up duty is indicated in "%".

- 7) Move selector lever to "D" and slowly increase vehicle speed to 75 km/h (47 MPH). Wheels will lock-up.

NOTE:

The speed difference between front and rear wheels may light the ABS warning light, but this indicates no malfunction. When AT control diagnosis is finished, perform the ABS memory clearance procedure of on-board diagnostics system. <Ref. to 4-4 [T6D2].>

CHECK : Is the value 95%?

YES : Go to step **8Q12**.

NO : Go to step **8Q13**.

8Q12 : CHECK OUTPUT SIGNAL EMITTED FROM TCM USING SUBARU SELECT MONITOR.

Return the engine to idling speed and move selector lever to "N".

NOTE:

The speed difference between front and rear wheels may light the ABS warning light, but this indicates no malfunction. When AT control diagnosis is finished, perform the ABS memory clearance procedure of on-board diagnostics system. <Ref. to 4-4 [T6D2].>

CHECK : **Is the value 5%?**

YES : Even if "AT OIL TEMP" lights up, the circuit has returned to a normal condition at this time. A temporary poor contact of the connector or harness may be the cause. Repair harness or connector in TCM.

NO : Go to step **8Q13**.

8Q13 : CHECK POOR CONTACT.

CHECK : **Is there poor contact in duty solenoid B circuit?**

YES : Repair poor contact.

NO : Replace TCM. <Ref. to 3-2 [W22A0].>

8Q14 : CHECK DUTY SOLENOID B (IN TRANSMISSION).

- 1) Remove transmission connector from bracket.
- 2) Drain automatic transmission fluid.

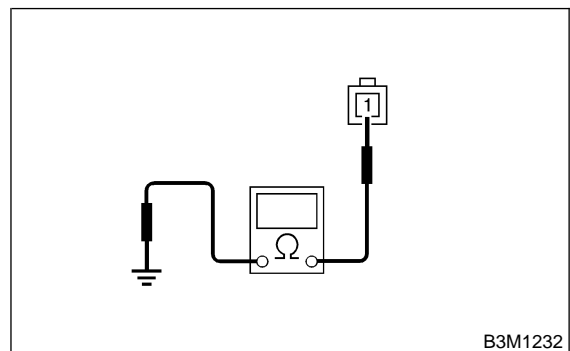
CAUTION:

Do not drain the automatic transmission fluid until it cools down.

- 3) Remove oil pan, and disconnect connector from duty solenoid B.
- 4) Measure resistance between duty solenoid B connector and transmission ground.

Terminal

No. 1 — Transmission ground:



B3M1232

CHECK : **Is the resistance between 10 and 17 Ω?**

YES : Go to step **8Q15**.

NO : Replace duty solenoid B. <Ref. to 3-2 [W4A0].>

3-2 [T8Q15] AUTOMATIC TRANSMISSION AND DIFFERENTIAL

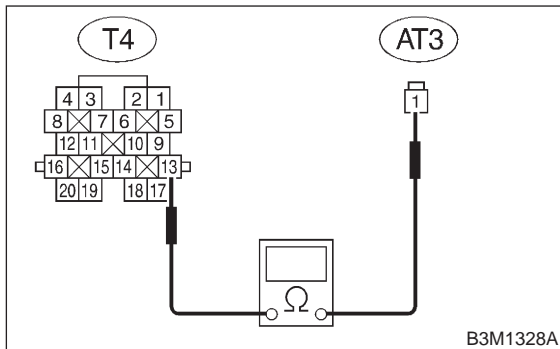
8. Diagnostic Chart with Trouble Code

8Q15 : CHECK HARNESS CONNECTOR BETWEEN DUTY SOLENOID B AND TRANSMISSION.

Measure resistance of harness between duty solenoid B and transmission connector.

Connector & terminal

(T4) No. 13 — (AT3) No. 1:



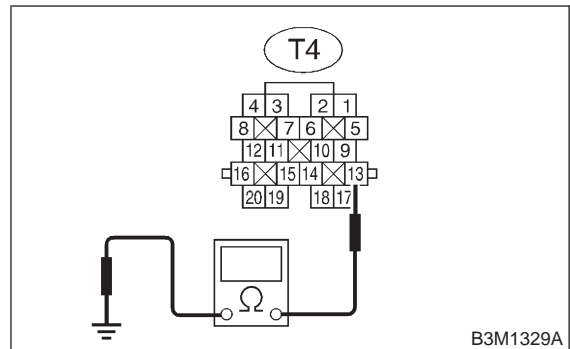
- CHECK** : *Is the resistance less than 1 Ω?*
- YES** : Go to step **8Q16**.
- NO** : Repair open circuit in harness between TCM and transmission connector.

8Q16 : CHECK HARNESS CONNECTOR BETWEEN DUTY SOLENOID B AND TRANSMISSION.

Measure resistance of harness between transmission connector and transmission ground.

Connector & terminal

(T4) No. 13 — Transmission ground:



- CHECK** : *Is the resistance more than 1 MΩ?*
- YES** : Even if "AT OIL TEMP" lights up, the circuit has returned to a normal condition at this time. A temporary poor contact of the connector or harness may be the cause. Repair harness or connector in duty solenoid B and transmission.
- NO** : Repair short circuit in harness between TCM and transmission connector.

R: TROUBLE CODE 79 — DUTY SOLENOID C —

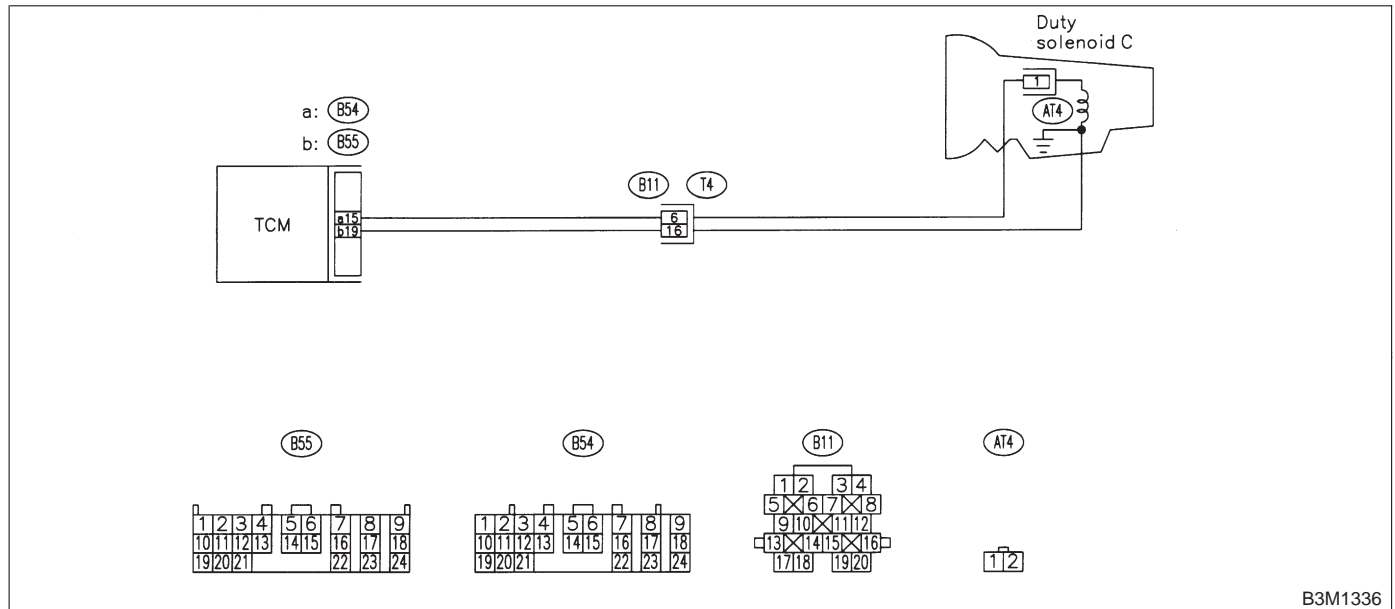
DIAGNOSIS:

Output signal circuit of duty solenoid C is open or shorted.

TROUBLE SYMPTOM:

Excessive “braking” in tight corners.

WIRING DIAGRAM:

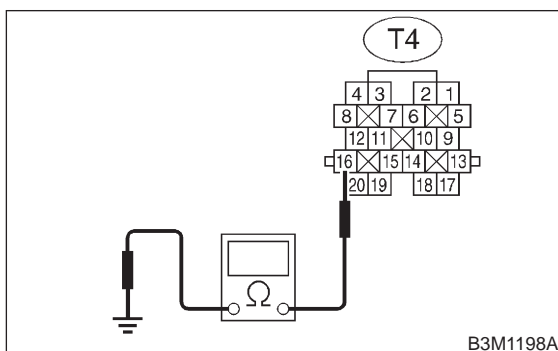


8R1 : CHECK DUTY SOLENOID C GROUND LINE.

- 1) Turn ignition switch to OFF.
- 2) Disconnect connector from transmission.
- 3) Measure resistance between transmission connector and transmission ground.

Connector & terminal

(T4) No. 16 — Chassis ground:



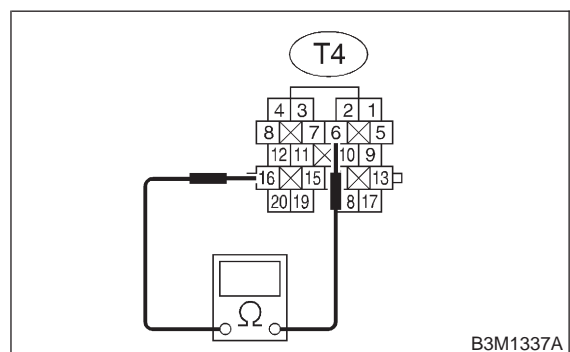
- CHECK** : Is the resistance less than 1 Ω?
- YES** : Go to step 8R2.
- NO** : Repair open circuit in transmission harness.

8R2 : CHECK DUTY SOLENOID C.

Measure resistance between transmission connector and transmission terminals.

Connector & terminal

(T4) No. 6 — No. 16:



- CHECK** : Is the resistance between 10 and 17 Ω?
- YES** : Go to step 8R3.
- NO** : Go to step 8R13.

3-2 [T8R3] AUTOMATIC TRANSMISSION AND DIFFERENTIAL

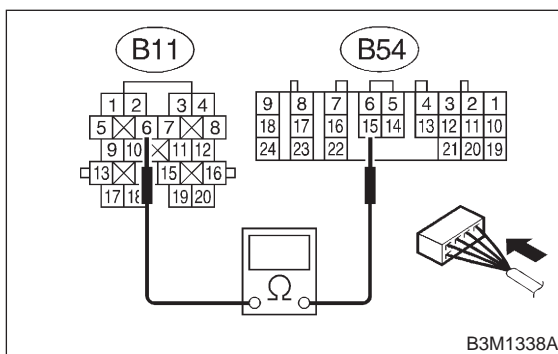
8. Diagnostic Chart with Trouble Code

8R3 : CHECK HARNESS CONNECTOR BETWEEN TCM AND TRANSMISSION.

- 1) Disconnect connector from TCM.
- 2) Measure resistance of harness between TCM and transmission connector.

Connector & terminal

(B54) No. 15 — (B11) No. 6:



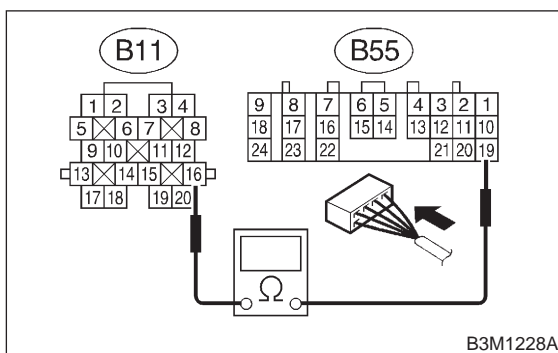
- CHECK** : Is the resistance less than 1 Ω?
- YES** : Go to step 8R4.
- NO** : Repair open circuit in harness between TCM and transmission connector.

8R4 : CHECK HARNESS CONNECTOR BETWEEN TCM AND TRANSMISSION.

Measure resistance harness connector between TCM and transmission connector.

Connector & terminal

(B55) No. 19 — (B11) No. 16:



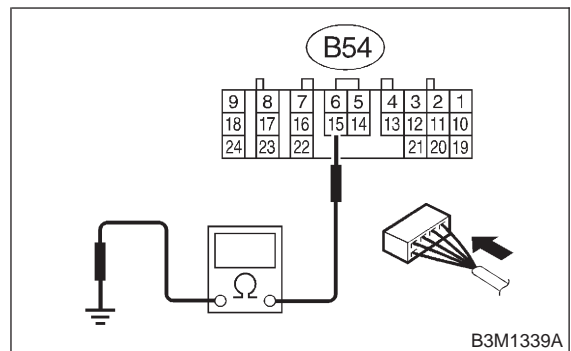
- CHECK** : Is the resistance less than 1 Ω?
- YES** : Go to step 8R5.
- NO** : Repair open circuit in harness between TCM and transmission connector.

8R5 : CHECK HARNESS CONNECTOR BETWEEN TCM AND TRANSMISSION.

Measure resistance harness connector between TCM and chassis ground.

Connector & terminal

(B54) No. 15 — Chassis ground:



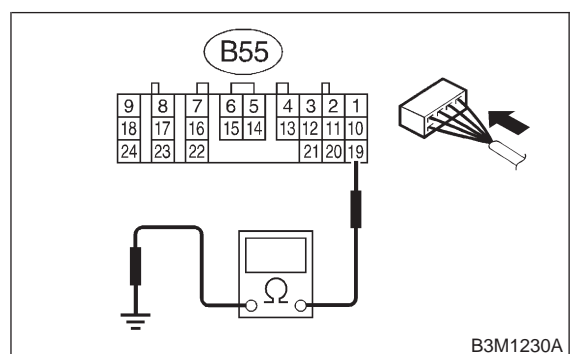
- CHECK** : Is the resistance more than 1 MΩ?
- YES** : Go to step 8R6.
- NO** : Repair short circuit in harness between TCM and transmission connector.

8R6 : CHECK HARNESS CONNECTOR BETWEEN TCM AND TRANSMISSION.

Measure resistance harness connector between TCM and chassis ground.

Connector & terminal

(B55) No. 19 — Chassis ground:



- CHECK** : Is the resistance more than 1 MΩ?
- YES** : Go to step 8R7.
- NO** : Repair short circuit in harness between TCM and transmission connector.

8R7 : PREPARE SUBARU SELECT MONITOR.

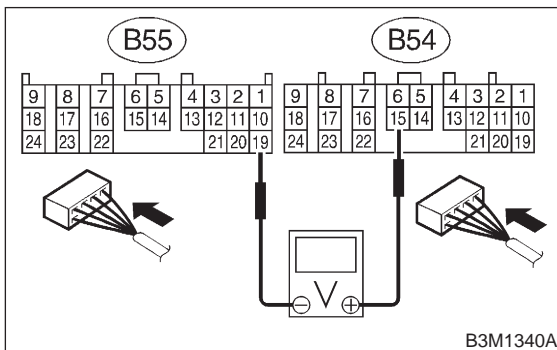
- CHECK** : *Do you have a Subaru Select Monitor?*
- YES** : Go to step **8R10**.
- NO** : Go to step **8R8**.

8R8 : CHECK OUTPUT SIGNAL EMITTED FROM TCM.

- 1) Connect connectors to TCM and transmission.
- 2) Turn ignition switch to ON (engine OFF).
- 3) Throttle is fully closed.
- 4) Measure voltage between TCM connector terminals.

Connector & terminal

(B54) No. 15 (+) — (B55) No. 19 (-):



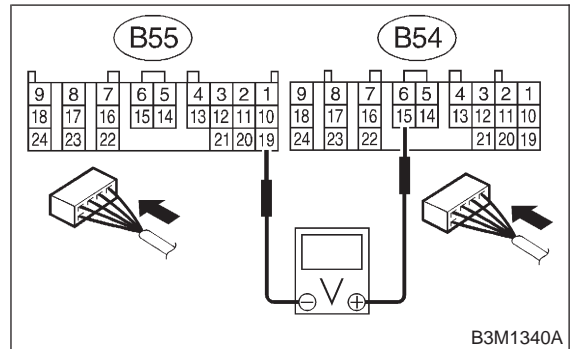
- CHECK** : *Is the voltage less than 1 V in "P" range?*
- YES** : Go to step **8R9**.
- NO** : Go to step **8R12**.

8R9 : CHECK OUTPUT SIGNAL EMITTED FROM TCM.

Measure voltage between TCM connector terminals.

Connector & terminal

(B54) No. 15 (+) — (B55) No. 19 (-):



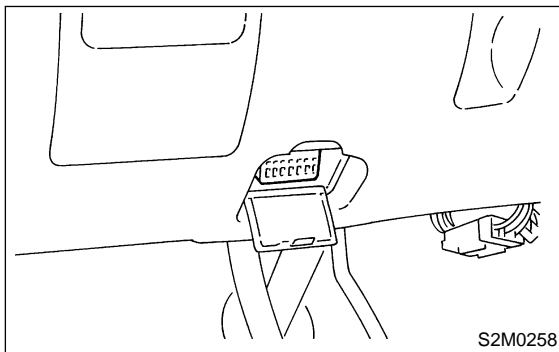
- CHECK** : *Is the voltage between 5 and 7 V in "D" range?*
- YES** : Even if "AT OIL TEMP" lights up, the circuit has returned to a normal condition at this time. A temporary poor contact of the connector or harness may be the cause. Repair harness or connector in the duty solenoid C and TCM connector.
- NO** : Go to step **8R12**.

3-2 [T8R10] AUTOMATIC TRANSMISSION AND DIFFERENTIAL

8. Diagnostic Chart with Trouble Code

8R10 : CHECK OUTPUT SIGNAL EMITTED FROM TCM USING SUBARU SELECT MONITOR.

- 1) Connect connectors to TCM and transmission.
- 2) Connect Subaru Select Monitor to data link connector.



- 3) Turn ignition switch to ON (engine OFF) and turn Subaru Select Monitor switch to ON.
- 4) Move selector lever to "D" with throttle fully open (vehicle speed 0 km/h or 0 MPH).
- 5) Read data of duty solenoid C using Subaru Select Monitor.

- Duty solenoid C is indicated in "%".

- CHECK** : **Is the value between 5 and 10%?**
- YES** : Go to step 8R11.
- NO** : Go to step 8R12.

8R11 : CHECK OUTPUT SIGNAL EMITTED FROM TCM USING SUBARU SELECT MONITOR.

- 1) Set FWD mode.
- 2) Throttle fully closed.

- CHECK** : **Is the value 95%?**
- YES** : Even if "AT OIL TEMP" lights up, the circuit has returned to a normal condition at this time. A temporary poor contact of the connector or harness may be the cause. Repair harness or connector in the duty solenoid C and TCM connector.
- NO** : Go to step 8R12.

8R12 : CHECK POOR CONTACT.

- CHECK** : **Is there poor contact in duty solenoid C circuit?**
- YES** : Repair poor contact.
- NO** : Replace TCM. <Ref. to 3-2 [W22A0].>

8R13 : CHECK DUTY SOLENOID C (IN TRANSMISSION).

- 1) Lift-up the vehicle and place safety stand.

CAUTION:

On AWD models, raise all wheels off ground.

- 2) Drain automatic transmission fluid.

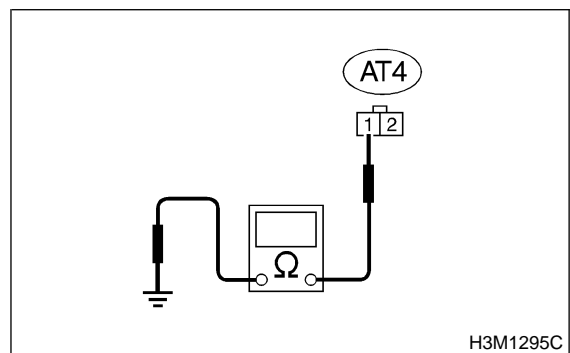
CAUTION:

Do not drain the automatic transmission fluid until it cools down.

- 3) Remove extension case, and disconnect connector from duty solenoid C.
- 4) Measure resistance between duty solenoid C connector and transmission ground.

Connector & terminal

(AT4) No. 1 — Transmission ground:

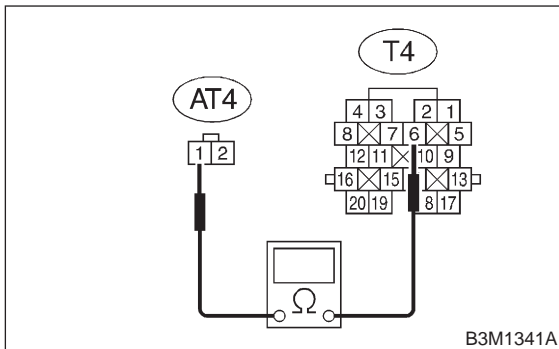


- CHECK** : **Is the resistance between 10 and 17 Ω?**
- YES** : Go to step 8R14.
- NO** : Replace duty solenoid C. <Ref. to 3-2 [W5A0].>

8R14 : CHECK HARNESS CONNECTOR BETWEEN DUTY SOLENOID C AND TRANSMISSION.

Measure resistance of harness between duty solenoid C and transmission connector.

Connector & terminal
(T4) No. 6 — (AT4) No. 1:

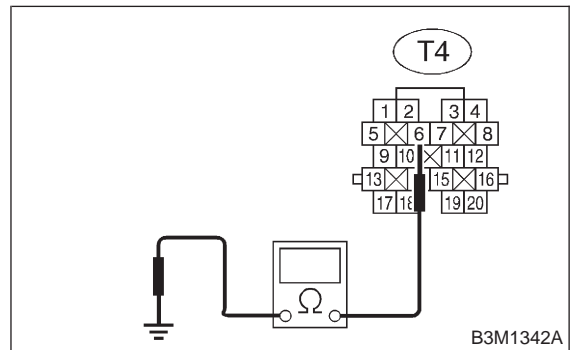


- CHECK** : **Is the resistance less than 1 Ω?**
- YES** : Go to step **8R15**.
- NO** : Repair open circuit in harness between duty solenoid C and transmission connector.

8R15 : CHECK HARNESS CONNECTOR BETWEEN DUTY SOLENOID C AND TRANSMISSION.

Measure resistance of harness between transmission connector and transmission ground.

Connector & terminal
(T4) No. 6 — Transmission ground:



- CHECK** : **Is the resistance more than 1 MΩ?**
- YES** : Even if "AT OIL TEMP" lights up, the circuit has returned to a normal condition at this time. A temporary poor contact of the connector or harness may be the cause. Repair harness or contact in the duty solenoid C and transmission connector.
- NO** : Repair short circuit in harness between duty solenoid C and transmission connector.

3-2 [T8R15] AUTOMATIC TRANSMISSION AND DIFFERENTIAL
8. Diagnostic Chart with Trouble Code

MEMO:

S: TROUBLE CODE 93 — VEHICLE SPEED SENSOR 1 (REAR) —

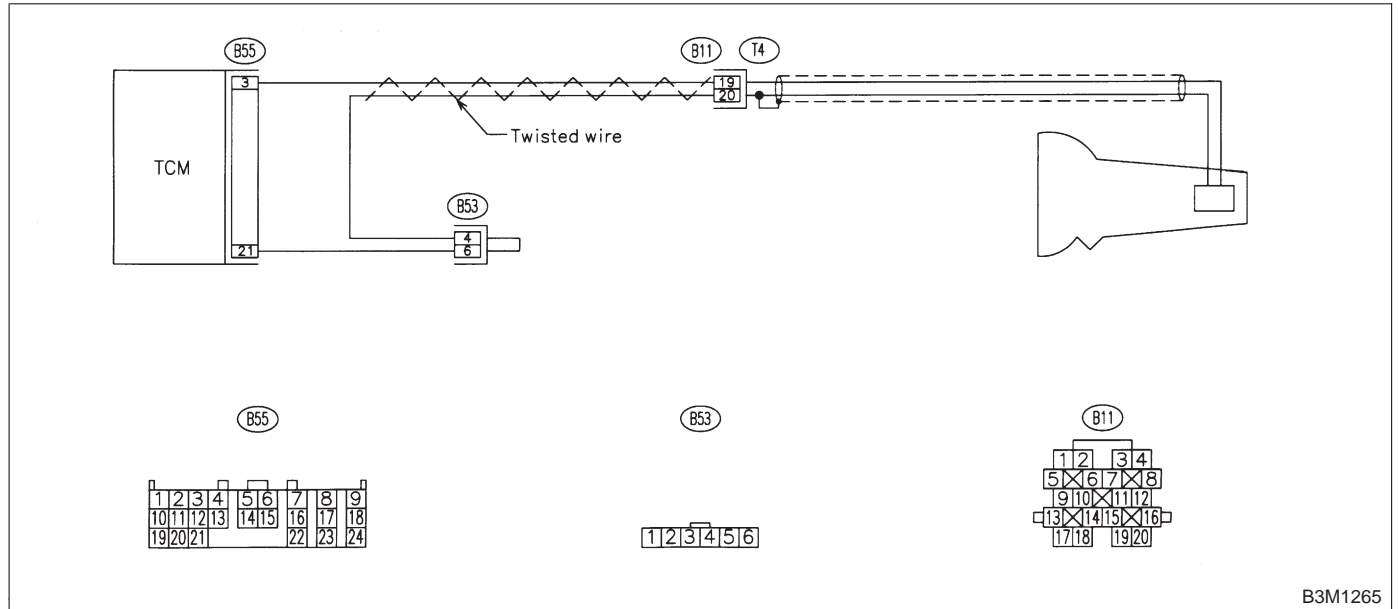
DIAGNOSIS:

Input signal circuit of TCM is open or shorted.

TROUBLE SYMPTOM:

No lock-up or excessive tight corner “braking”.

WIRING DIAGRAM:



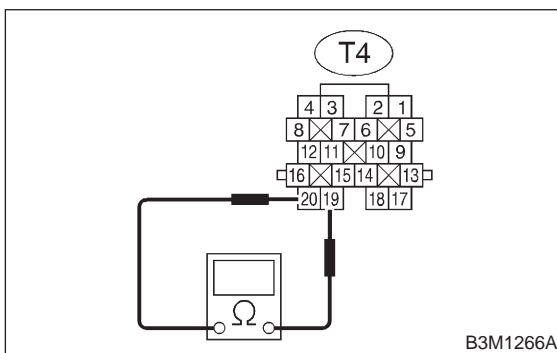
B3M1265

8S1 : CHECK VEHICLE SPEED SENSOR 1.

- 1) Turn ignition switch to OFF.
- 2) Disconnect connector from transmission.
- 3) Measure resistance between transmission connector receptacle's terminals.

Connector & terminal

(T4) No. 19 — No. 20:



B3M1266A

CHECK : Is the resistance between 450 and 650 Ω?

YES : Go to step 8S1.

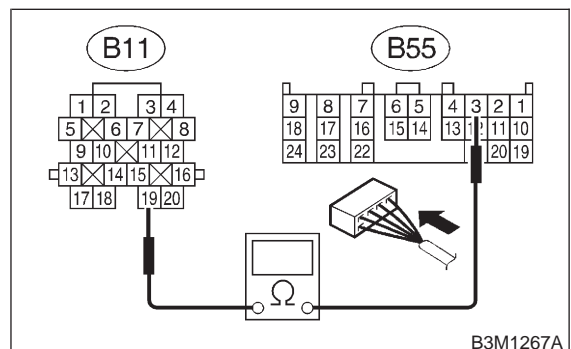
NO : Replace transmission harness connector. <Ref. to 3-2 [W11B0].>

8S2 : CHECK HARNESS CONNECTOR BETWEEN TCM AND TRANSMISSION.

- 1) Disconnect connector from TCM.
- 2) Measure resistance of harness between TCM and transmission connector.

Connector & terminal

(B55) No. 3 — (B11) No. 19:



B3M1267A

CHECK : Is the resistance less than 1 Ω?

YES : Go to step 8S3.

NO : Repair open circuit in harness between TCM and transmission connector.

3-2 [T8S3] AUTOMATIC TRANSMISSION AND DIFFERENTIAL

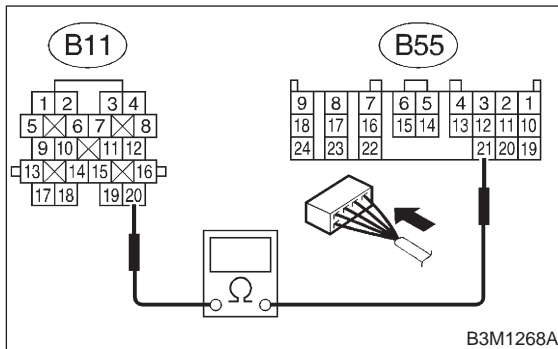
8. Diagnostic Chart with Trouble Code

8S3 : CHECK HARNESS CONNECTOR BETWEEN TCM AND TRANSMISSION.

Measure resistance of harness between TCM and transmission connector.

Connector & terminal

(B55) No. 21 — (B11) No. 20:



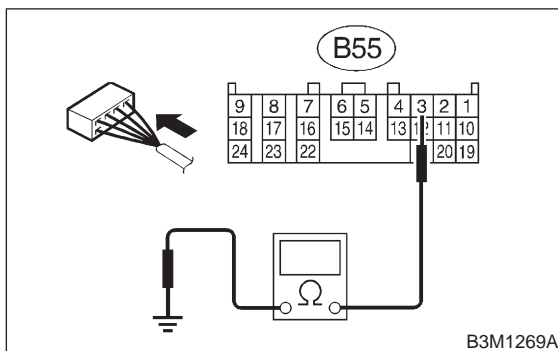
- CHECK** : Is the resistance less than 1 Ω?
- YES** : Go to step 8S4.
- NO** : Repair open circuit in harness between TCM and transmission, and poor contact in coupling connector.

8S4 : CHECK HARNESS CONNECTOR BETWEEN TCM AND TRANSMISSION.

Measure resistance of harness between TCM and transmission connector.

Connector & terminal

(B55) No. 3 — Chassis ground:



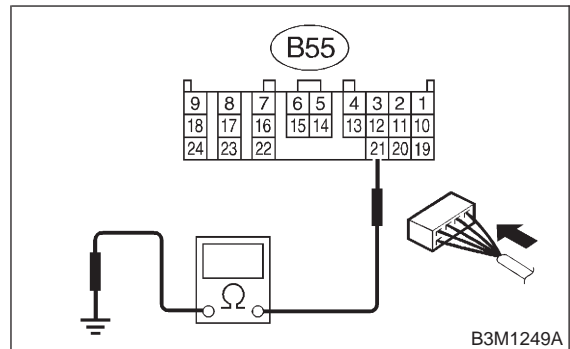
- CHECK** : Is the resistance more than 1 MΩ?
- YES** : Go to step 8S5.
- NO** : Repair short circuit in harness between TCM and transmission connector.

8S5 : CHECK HARNESS CONNECTOR BETWEEN TCM AND TRANSMISSION.

Measure resistance of harness between TCM and transmission connector.

Connector & terminal

(B55) No. 21 — Chassis ground:



- CHECK** : Is the resistance more than 1 MΩ?
- YES** : Go to step 8S6.
- NO** : Repair short circuit in harness between TCM and transmission connector.

8S6 : PREPARE OSCILLOSCOPE.

- CHECK** : Do you have oscilloscope?
- YES** : Go to step 8S10.
- NO** : Go to step 8S7.

8S7 : PREPARE SUBARU SELECT MONITOR.

- CHECK** : Do you have a Subaru Select Monitor?
- YES** : Go to step 8S9.
- NO** : Go to step 8S8.

8S8 : CHECK INPUT SIGNAL FOR TCM.

- 1) Connect connectors to TCM and transmission.
- 2) Lift-up or raise the vehicle and place safety stands.

CAUTION:

On AWD models, raise all wheels off floor.

- 3) Start the engine and set vehicle in 20 km/h (12 MPH) condition.

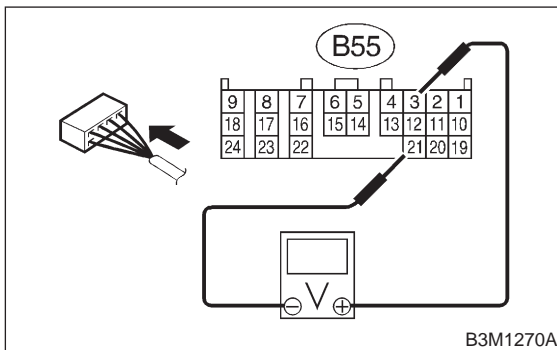
NOTE:

The speed difference between front and rear wheels may light the ABS warning light, but this indicates no malfunction. When AT control diagnosis is finished, perform the ABS memory clearance procedure of on-board diagnostics system. <Ref. to 4-4 [T6D2].>

- 4) Measure voltage between TCM connector terminals.

Connector & terminal

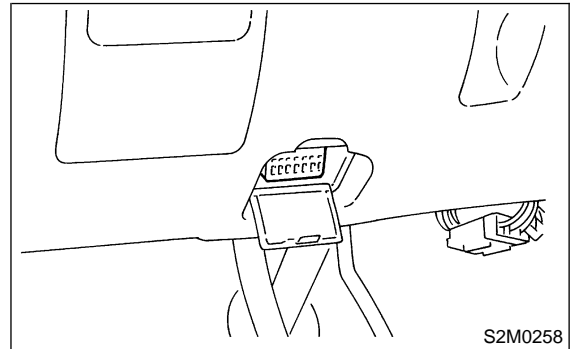
(B55) No. 3 (+) — No. 21 (-):



- CHECK** : **Is the voltage more than AC 1 V?**
- YES** : Even if "AT OIL TEMP" lights up, the circuit has returned to a normal condition at this time. A temporary poor contact of the connector or harness may be the cause. Repair harness or connector in the TCM and transmission.
- NO** : Go to step **8S11**.

8S9 : CHECK INPUT SIGNAL FOR TCM USING SUBARU SELECT MONITOR.

- 1) Connect connectors to TCM and transmission.
- 2) Connect Subaru Select Monitor to data link connector.



- 3) Lift-up or raise the vehicle and place safety stands.

CAUTION:

On AWD models, raise all wheels off floor.

- 4) Turn ignition switch to ON and turn Subaru Select Monitor switch to ON.
- 5) Start the engine.
- 6) Read data of vehicle speed using Subaru Select Monitor.
 - Compare speedometer with Subaru Select Monitor indications.
 - Vehicle speed is indicated in "km/h" or "MPH".
- 7) Slowly increase vehicle speed to 60 km/h or 37 MPH.

NOTE:

The speed difference between front and rear wheels may light the ABS warning light, but this indicates no malfunction. When AT control diagnosis is finished, perform the ABS memory clearance procedure of on-board diagnostics system. <Ref. to 4-4 [T6D2].>

- CHECK** : **Does the speedometer indication increase as the Subaru Select Monitor data increases?**
- YES** : Even if "AT OIL TEMP" lights up, the circuit has returned to a normal condition at this time. A temporary poor contact of the connector or harness may be the cause. Repair harness or connector in the TCM and transmission.
- NO** : Go to step **8S11**.

3-2 [T8S10] AUTOMATIC TRANSMISSION AND DIFFERENTIAL

8. Diagnostic Chart with Trouble Code

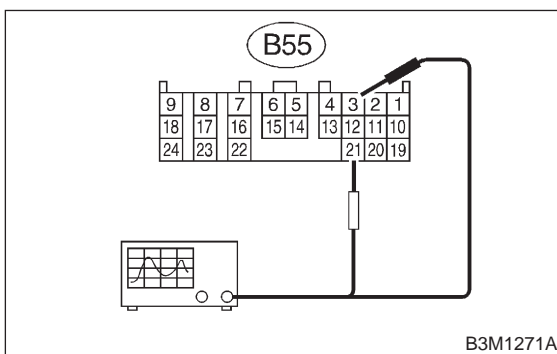
8S10 : CHECK INPUT SIGNAL FOR TCM USING OSCILLOSCOPE.

- 1) Connect connectors to TCM and transmission.
- 2) Lift-up or raise the vehicle and place safety stands.

CAUTION:

On AWD models, raise all wheels off floor.

- 3) Set oscilloscope to TCM connector terminals.
Position probe; (B55) No. 3
Earth lead; (B55) No. 21

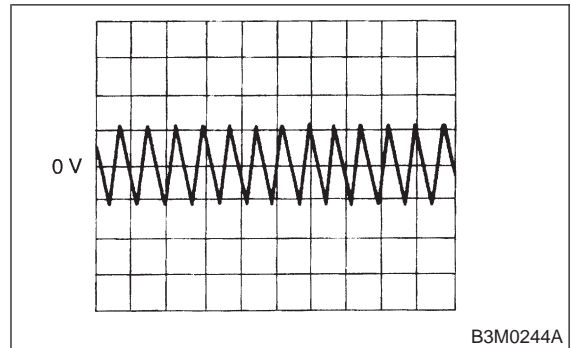


- 4) Start the engine and set vehicle in 20 km/h (12 MPH) condition.

NOTE:

The speed difference between front and rear wheels may light the ABS warning light, but this indicates no malfunction. When AT control diagnosis is finished, perform the ABS memory clearance procedure of on-board diagnostics system. <Ref. to 4-4 [T6D2].>

- 5) Measure signal voltage indicated on oscilloscope.



- CHECK** : *Is the signal voltage more than AC 1 V?*
- YES** : Even if "AT OIL TEMP" lights up, the circuit has returned to a normal condition at this time. A temporary poor contact of the connector or harness may be the cause. Repair harness or connector in the TCM and transmission.
- NO** : Go to step **8S11**.

8S11 : CHECK POOR CONTACT.

- CHECK** : *Is there poor contact in vehicle speed sensor 1 circuit?*
- YES** : Repair poor contact.
- NO** : Replace TCM. <Ref. to 3-2 [W22A0].>